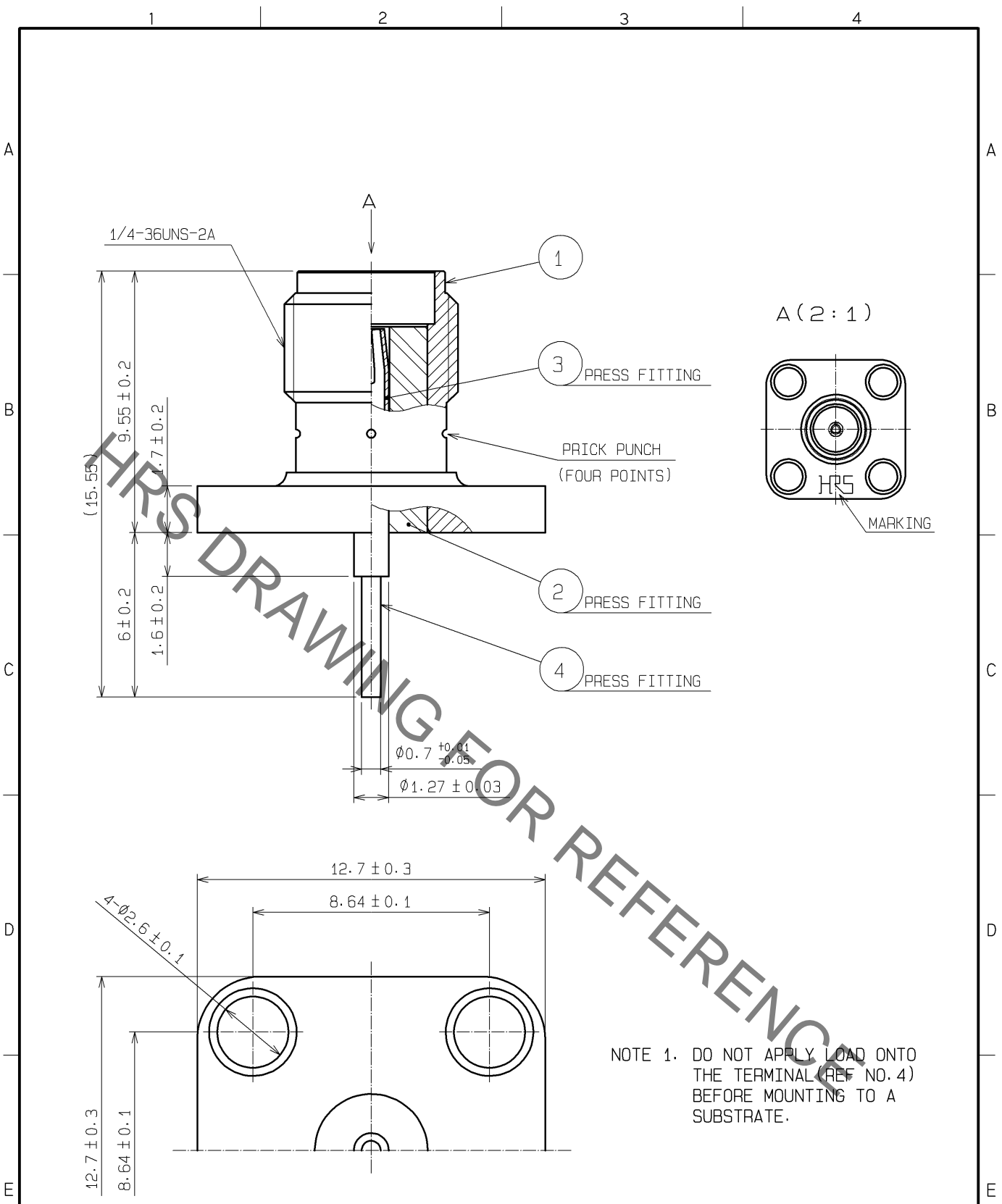


Sep.1.2020 Copyright 2020 HIROSE ELECTRIC CO., LTD. All Rights Reserved.  
 In case of consideration for using Automotive equipment / device which demand high reliability, kindly contact our sales window correspondents.



NOTE 1. DO NOT APPLY LOAD ONTO THE TERMINAL (REF NO. 4) BEFORE MOUNTING TO A SUBSTRATE.

RoHS COMPLIANT

2	PTFE		4	BRASS	GOLD PLATING
1	STAINLESS STEEL	PASSIVATE	3	BERYLLIUM COPPER	GOLD PLATING
NO.	MATERIAL	FINISH . REMARKS	NO.	MATERIAL	FINISH . REMARKS
UNITS mm		SCALE 5 : 1	COUNT 	DESCRIPTION OF REVISIONS	DESIGNED
HIROSE ELECTRIC CO., LTD.	APPROVED : MH. YAMANE	08. 07. 02	DRAWING NO.	EDC4-315721-00	
	CHECKED : MH. YAMANE	08. 07. 02	PART NO.	HRM(V)-301S	
	DESIGNED : TS. NOBE	08. 07. 01	CODE NO.	CL323-0884-5-00	1/1
	DRAWN : TS. NOBE	08. 07. 01			