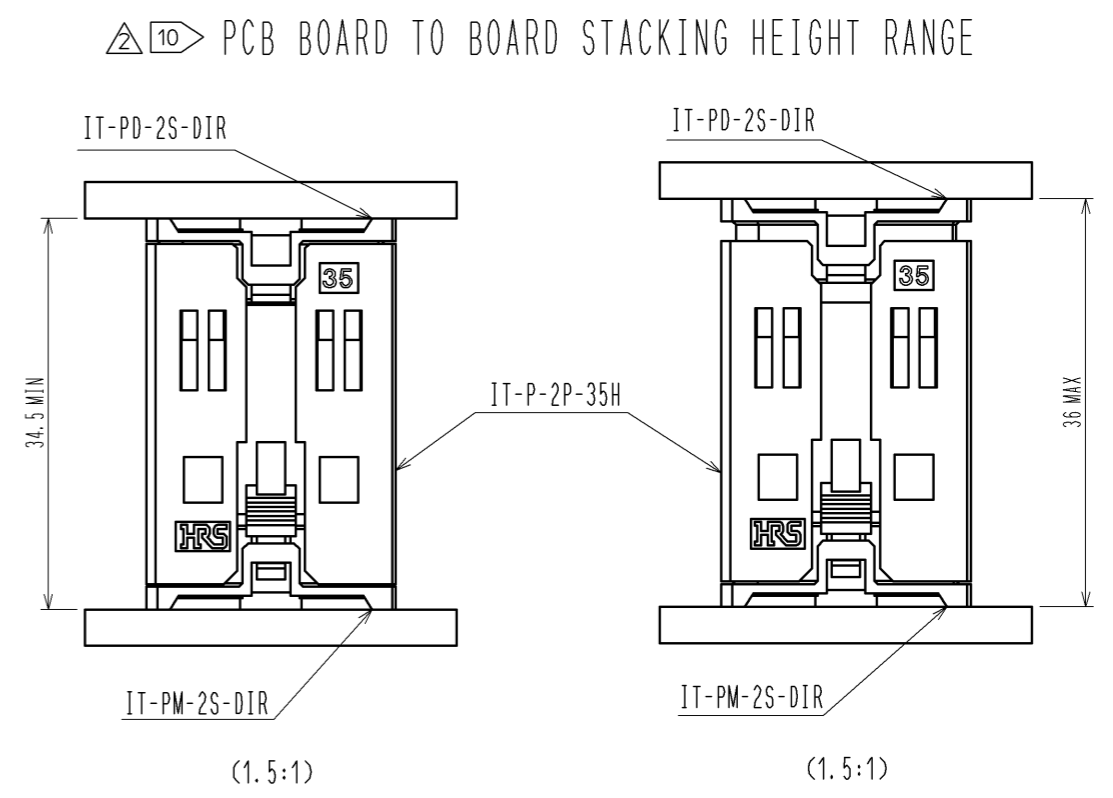
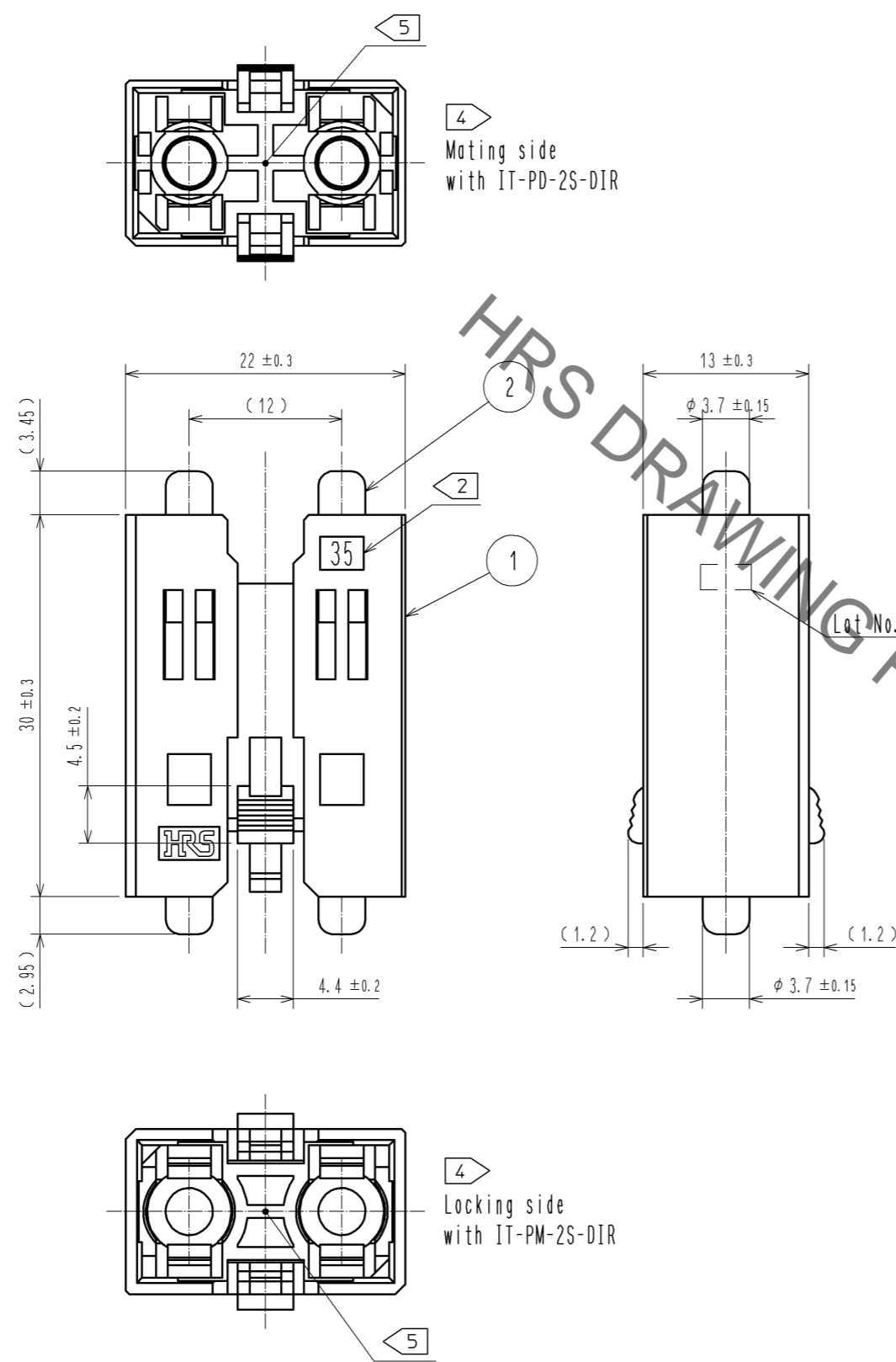


Sep.1.2020 Copyright 2020 HIROSE ELECTRIC CO., LTD. All Rights Reserved.
In case of consideration for using Automotive equipment / device which demand high reliability, kindly contact our sales window correspondents.

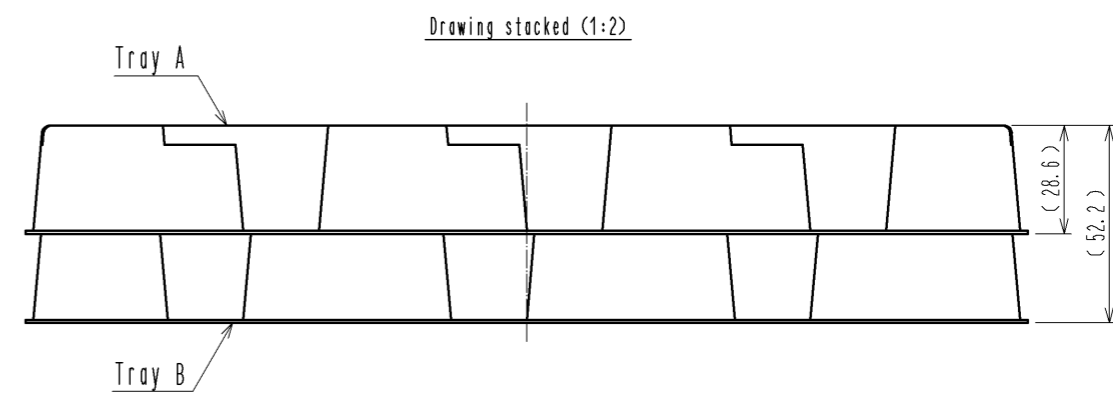
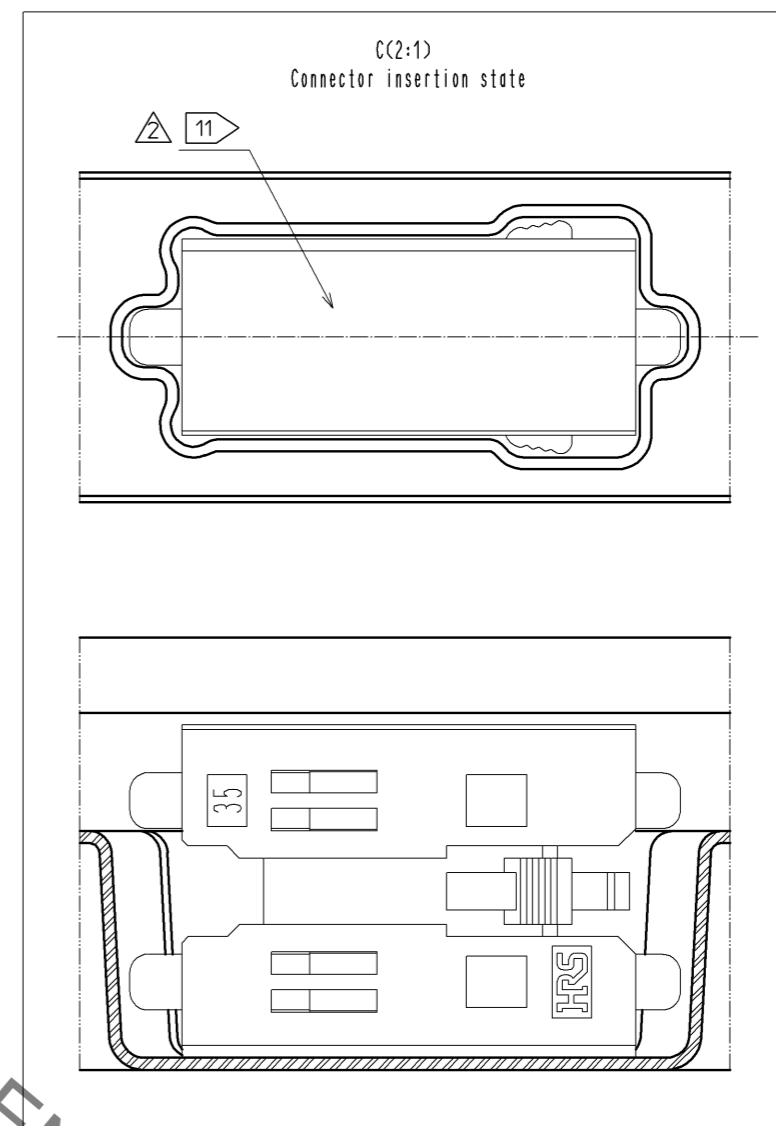
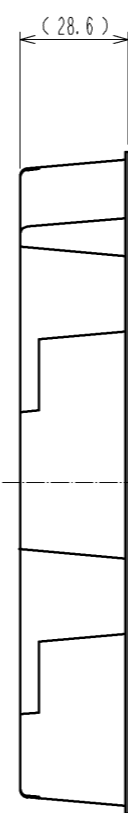
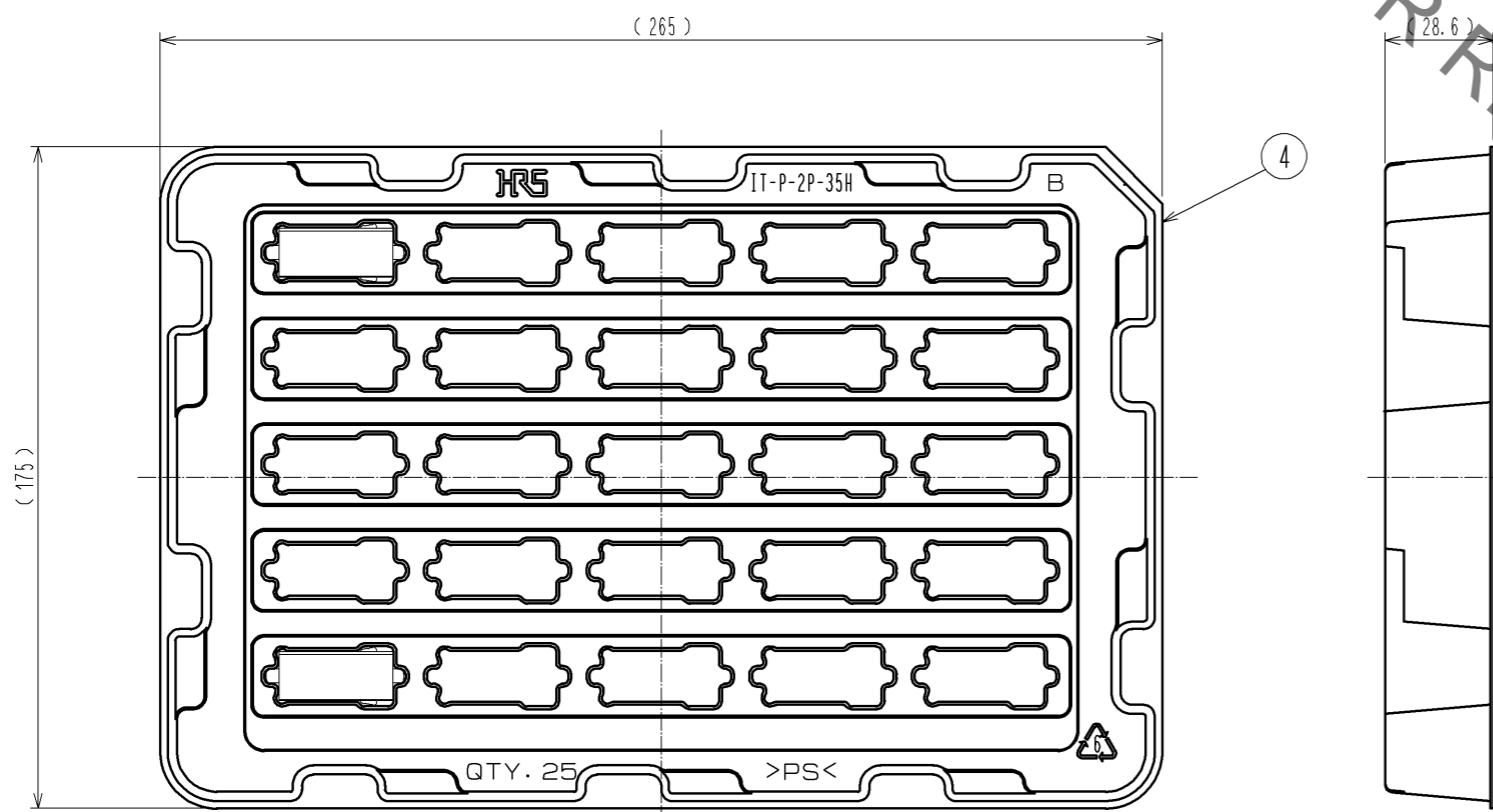
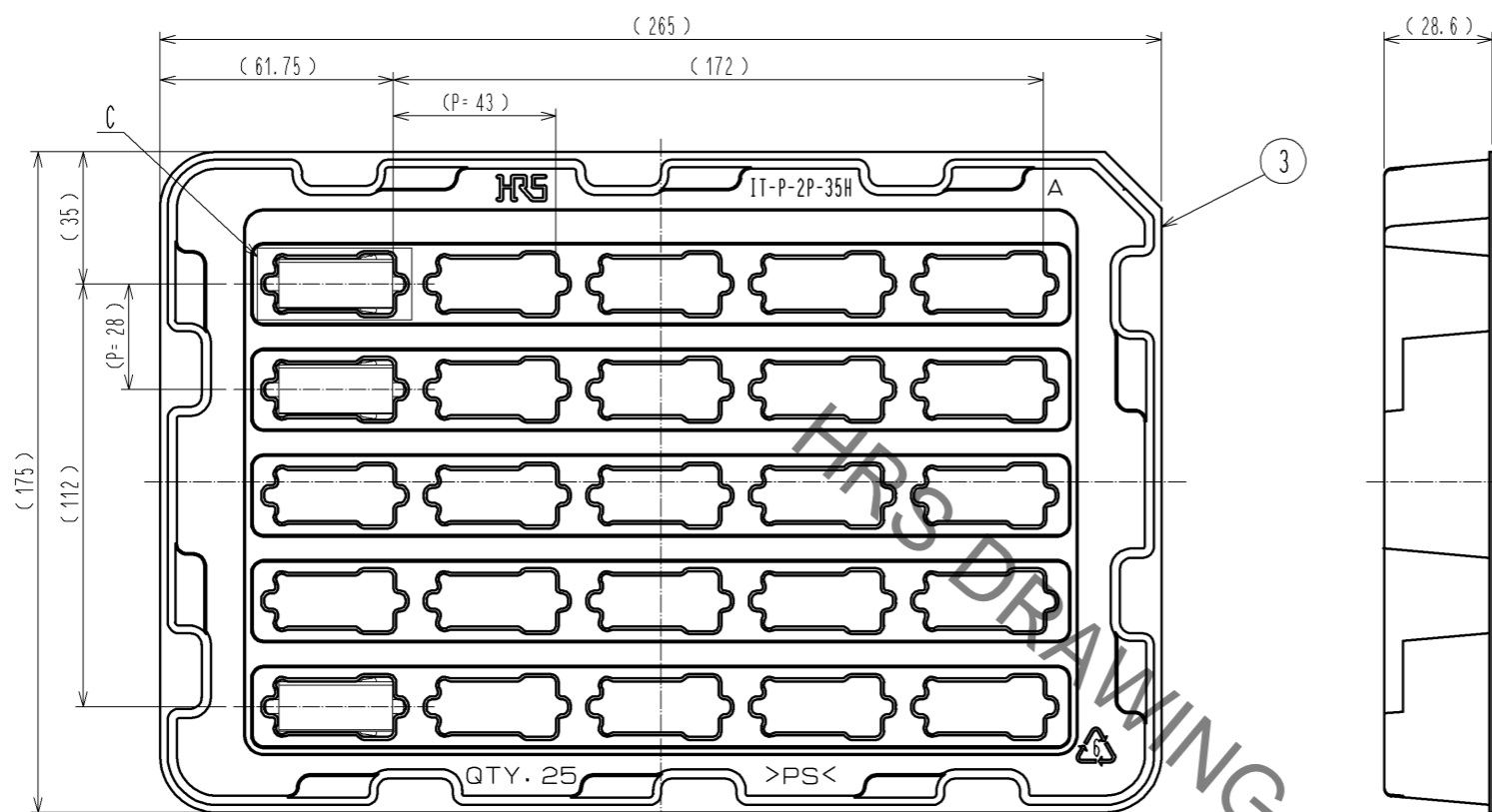


- Note:
- ① The lot number is marked in this area.
 - ② Stack height(Nominal)is shown.
 - ③ The dimensions in parentheses are for reference.
 - ④ Engageable receptacle is defined for each side of this product.
 - ⑤ Since this product is point symmetry, direction of mating does not have a rule.
 - ⑥ Manufacturing process could leave scratch and/or punch marks, but they have no effect on the product performance.
 - ⑦ Since silver plating is used for this product, if it is left in the atmosphere for a long time, plating may become drab.
 - ⑧ This product is RoHS compliant.
 - ⑨ This product is packaged in tray. (Max 25pcs/Tray)
 - ⑩ This part can accommodate the PCB board to board stacking height range of 35 +1/-0.5mm (34.5mm to 36mm).

| | | | | | |
|---------------------------|----------|-----------------------------|------------|--|--------------------------|
| 2 | Brass | Over Plating : Silver 5.1μm | 4 | Polystyrene | (Tray B) |
| 1 | PBT | Black UL94V-0 | 3 | Polystyrene | (Tray A) |
| NO. | MATERIAL | FINISH . REMARKS | NO. | MATERIAL | FINISH . REMARKS |
| UNITS mm | | SCALE 2 : 1 | COUNT 4 | DESCRIPTION OF REVISIONS DIS-F-006732 | DESIGNED TF. SUGAWARA |
| | | APPROVED : HS. OKAWA | 11.12.16 | DRAWING NO. EDC3-339735-00 | |
| HIROSE ELECTRIC CO., LTD. | | CHECED : KI. HIROKAWA | 11.12.15 | PART NO. IT-P-2P-35H | |
| | | DESIGNED : KN. SHIBUYA | 11.12.15 | CODE NO. CL636-0602-2-00 | |
| | | DRAWN : KN. SHIBUYA | 11.12.15 | ② 1/2 | |

Sep.1.2020 Copyright 2020 HIROSE ELECTRIC CO., LTD. All Rights Reserved.
 In case of consideration for using Automotive equipment / device which demand high reliability, kindly contact our sales window correspondents.

Drawing For Packing (1:2)



Note. 11 The connector is set in the tray in the direction shown here. The side with lot number can be either top side bottom side.

| | | | |
|------------|-------------|-----------------|-----|
| HRS | DRAWING NO. | EDC3-339735-00 | 2/2 |
| | PART NO. | IT-P-2P-35H | |
| | CODE NO. | CL636-0602-2-00 | |
| | | | |