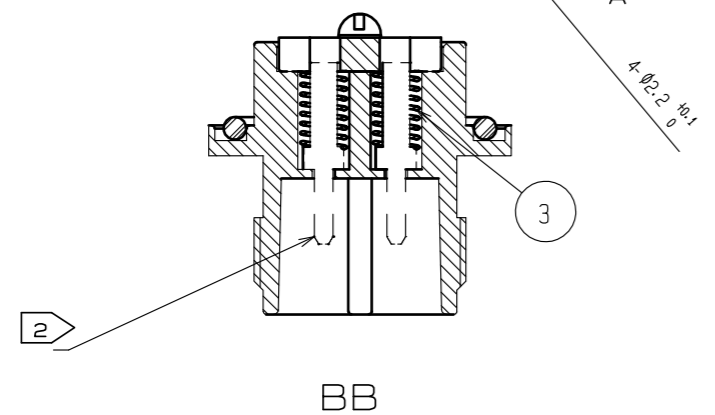
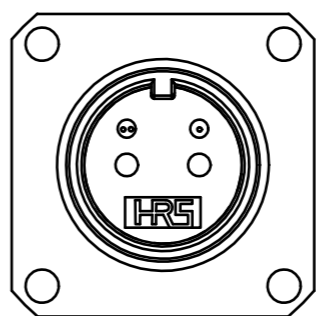
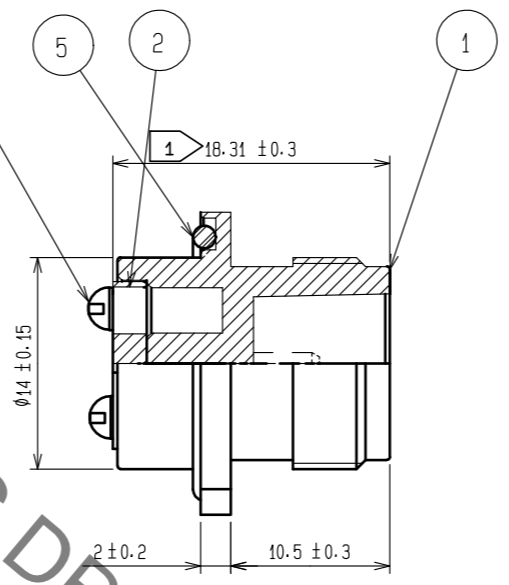
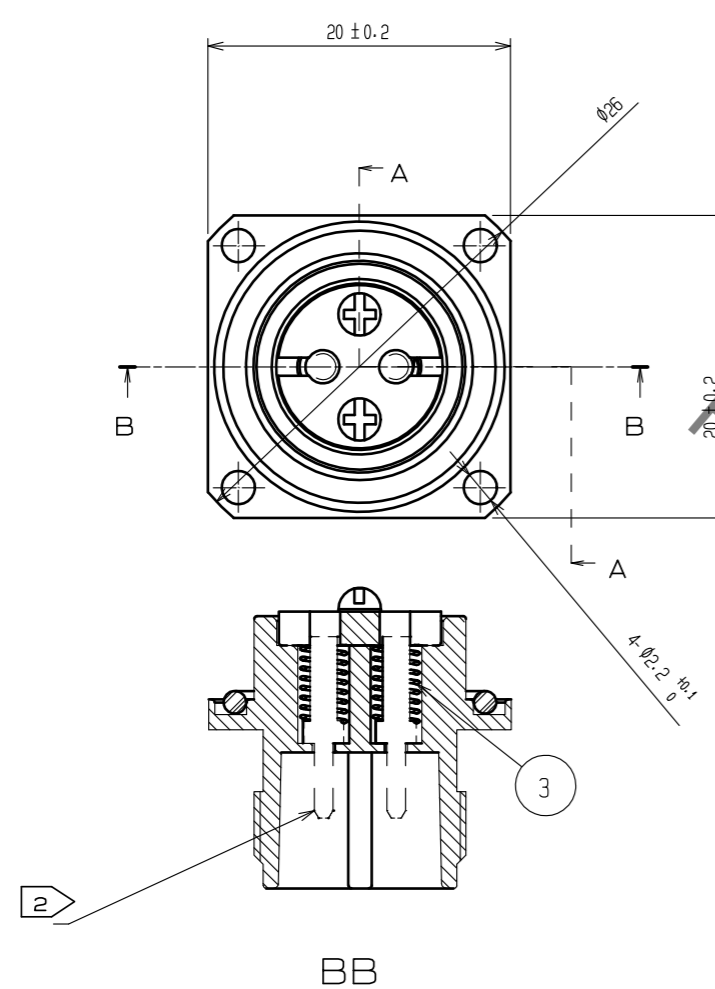
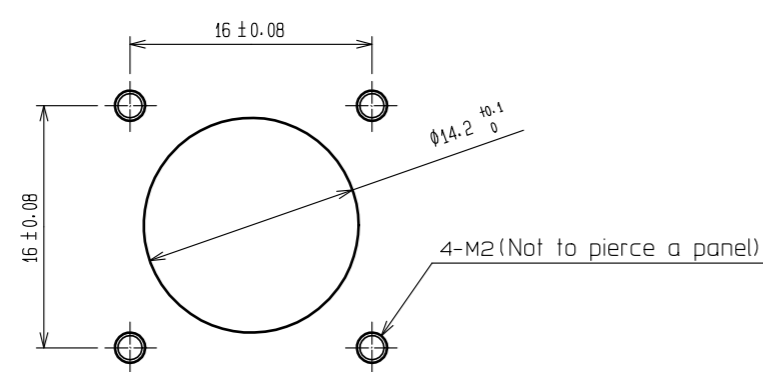


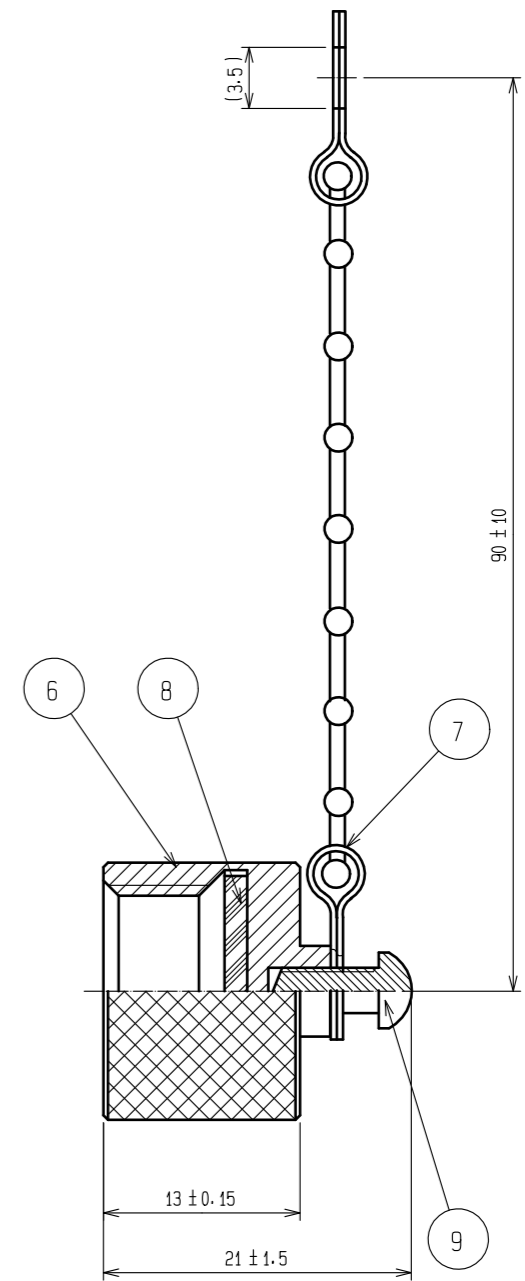
Sep.1.2020 Copyright 2020 HIROSE ELECTRIC CO., LTD. All Rights Reserved.
 In case of consideration for using Automotive equipment / device which demand high reliability, kindly contact our sales window correspondents.



Note 1 This dimension shows after assembly.
 2 This product is not attached with a ferrule. Please use an optional MU ferrule.



Panel cutout



NO.	MATERIAL	FINISH . REMARKS	NO.	MATERIAL	FINISH . REMARKS
5	Synthetic rubber		9	Stainless steel	Nyrock
4	Stainless steel		8	Synthetic rubber	
3	Piano wire	Zinc plating	7	Stainless steel	
2	Synthetic resin		6	Aluminum alloy	Anodic oxide coating(black)
1	Zinc die casting	Chrome plating (black)			

UNITS	SCALE	COUNT	DESCRIPTION OF REVISIONS	DESIGNED	CHECKED	DATE
mm	2 : 1	△				
APPROVED : MT. SHIBUTANI			18.03.23	DRAWING NO. EDC-175689-31-00		
CHECKED : MT. SHIBUTANI			18.03.23	PART NO. MF10S-WDRF01-0200(31)		
DESIGNED : FS. YOSHIDA			18.03.22	CODE NO. CL709-0204-5-31		
DRAWN : SR. TOYOKAWA			18.03.22	1/1		