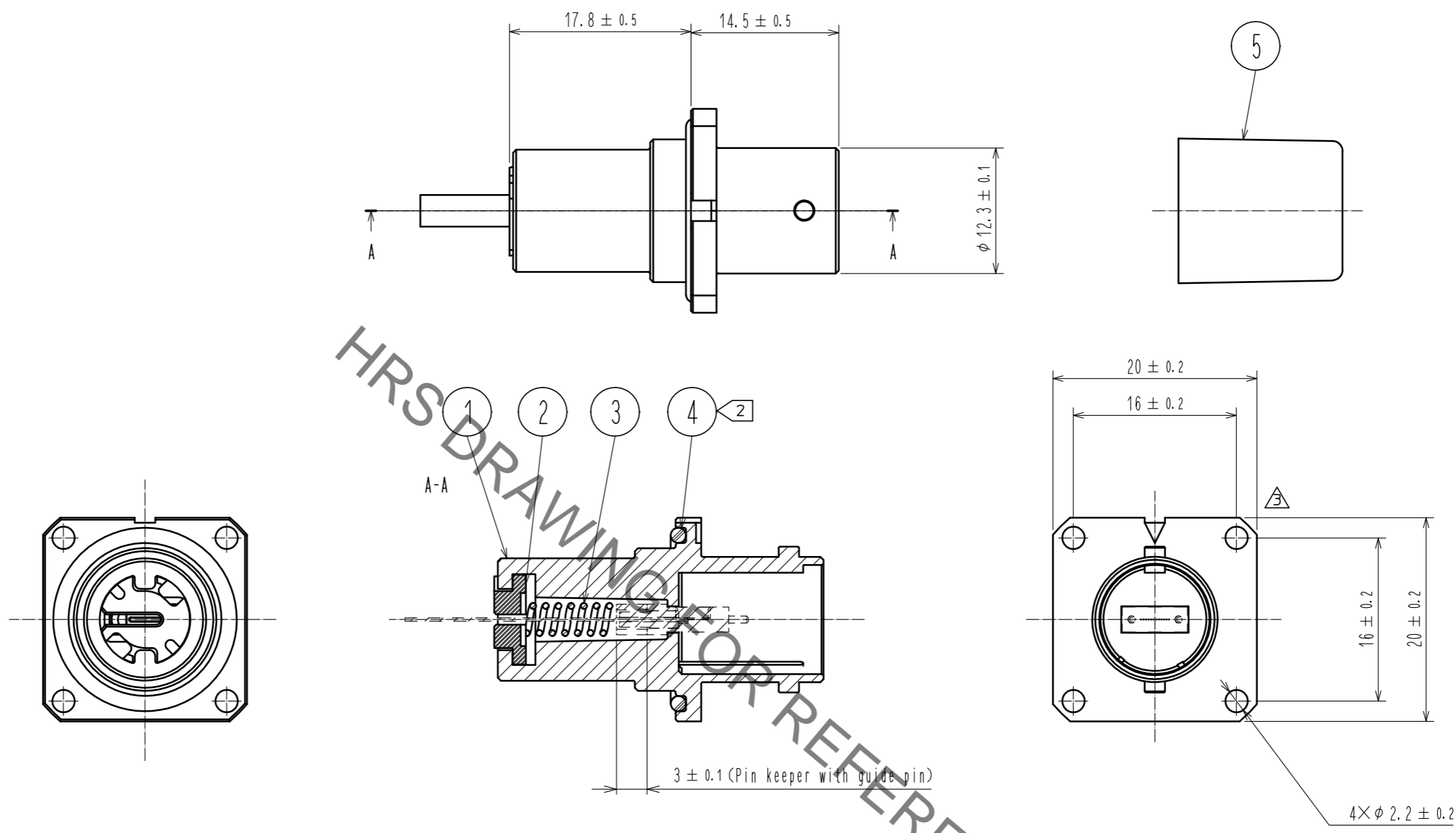


Sep.1.2020 Copyright 2020 HIROSE ELECTRIC CO., LTD. All Rights Reserved.
In case of consideration for using Automotive equipment / device which demand high reliability, kindly contact our sales window correspondents.



HRS DRAWING FOR REFERENCE

- Note
1. FO cable and MT ferrule are NOT included i this product.
 2. IF part 4 comes off during transportation, please put again and use it.
 3. Use specifide tool to assemble this product.

3	Stainless steel	For 12-ribbon fiber : Springforce 1kgf(Black) 3	5	Elastomer	Black
2	Zinc alloy die casting	Ni plating	4	Silicone rubber	Red
1	Zinc alloy die casting	Ni plating			
NO.	MATERIAL	FINISH . REMARKS	NO.	MATERIAL	FINISH . REMARKS
UNITS		SCALE	COUNT	DESCRIPTION OF REVISIONS	
mm		2 : 1	2	DIS-K-00001361	
APPROVED : MT. SHIBUTANI			15.09.25	DESIGNED	TY. SATO
CHECKED : YY. HIYAMA			15.09.25	CHECKED	FS. YOSHIDA
DESIGNED : TY. SATO			15.09.25	DATE	18.02.14
DRAWN : TY. SATO			15.09.25		
HRS HIROSE ELECTRIC CO., LTD.			DRAWING NO.		EDC-179725-00-00
			PART NO.		MF11BMT-WRFA01
			CODE NO.		CL709-7012-0-00
					1/1