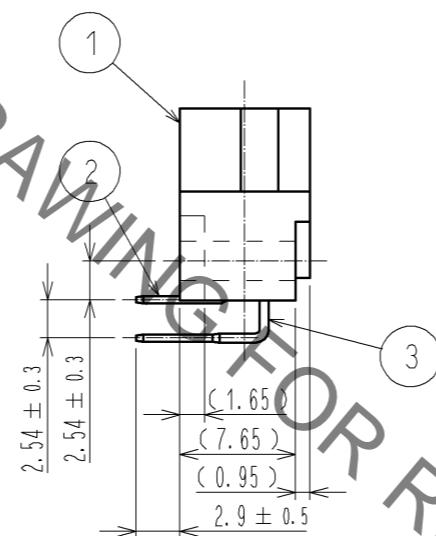
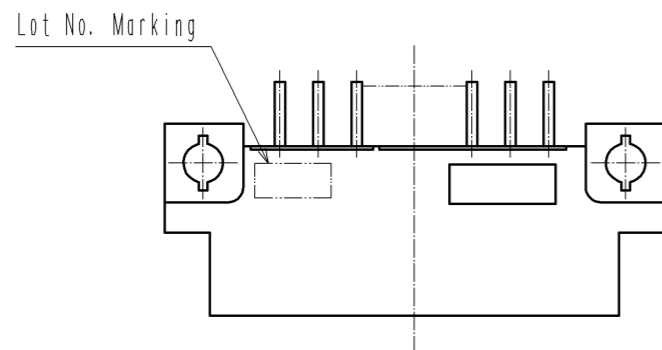
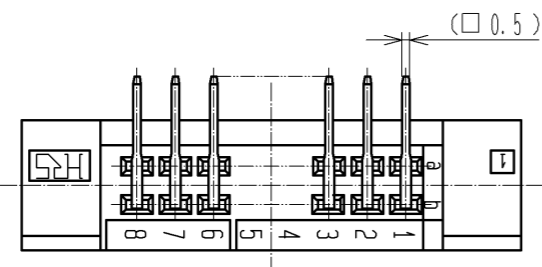
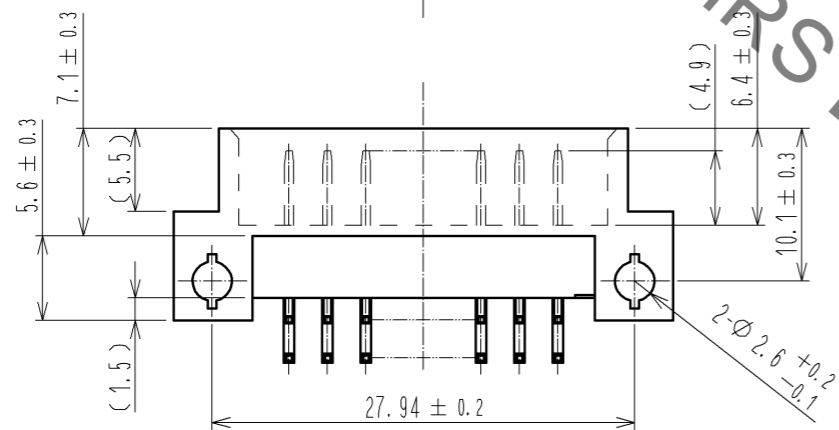
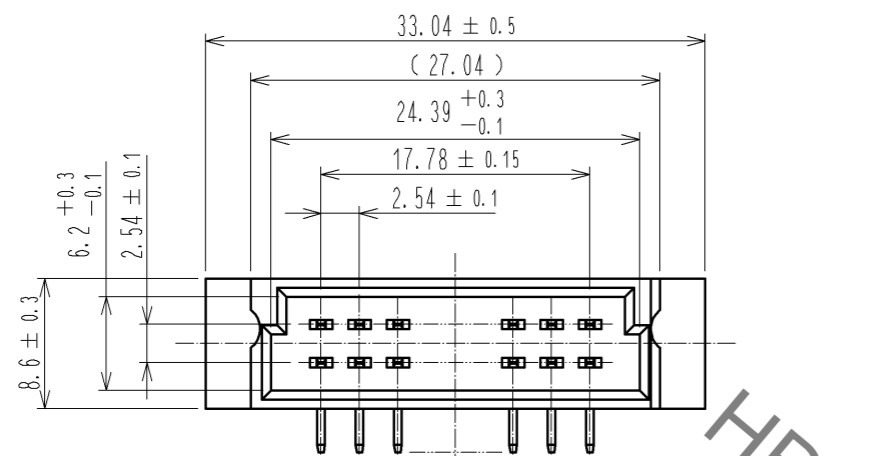
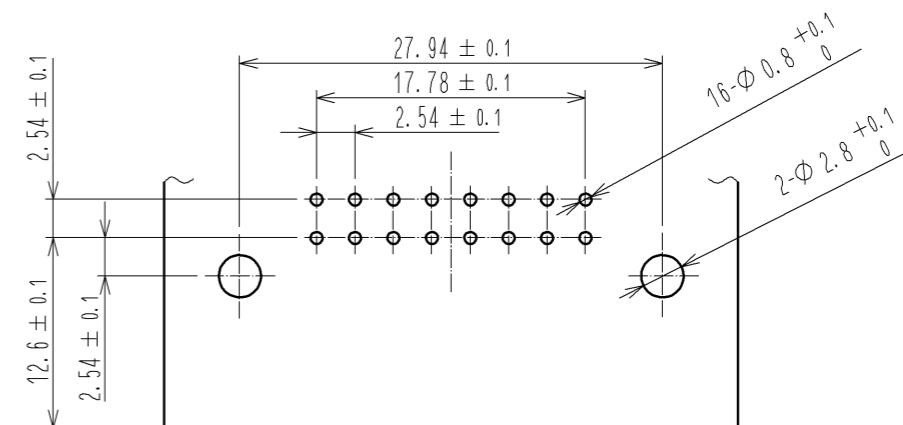


Sep.1.2020 Copyright 2020 HIROSE ELECTRIC CO., LTD. All Rights Reserved.  
 In case of consideration for using Automotive equipment / device which demand high reliability, kindly contact our sales window correspondents.



RECOMMENDED PC BOARD HOLE PATTERN(t=1.6±0.1)



HRS DRAWING FOR REFERENCE

1	PBT	BEIGE UL94V-0	2, 3	BRASS	CONTACT AREA: Ni2.5μm+Au0.1μm DIP AREA: Ni2.5μm+Sn2μm			
NO.	MATERIAL	FINISH, REMARKS	NO.	MATERIAL	FINISH, REMARKS			
UNITS	⊕	SCALE	COUNT	DESCRIPTION OF REVISIONS		DESIGNED	CHECKED	DATE
mm		2:1	△					
<b>HRS</b> HIROSE ELECTRIC CO., LTD.		APPROVED: HS. OKAWA	14.01.08	DRAWING NO. EDC3-019795-01				
		CHECKED: HT. YAMAGUCHI	14.01.08	PART NO. PCN12A-16P-2.54DS(71)				
		DESIGNED: KJ. NISHIWAKI	14.01.08	CODE NO. CL583-2011-6-71				
		DRAWN: KJ. NISHIWAKI	14.01.08					