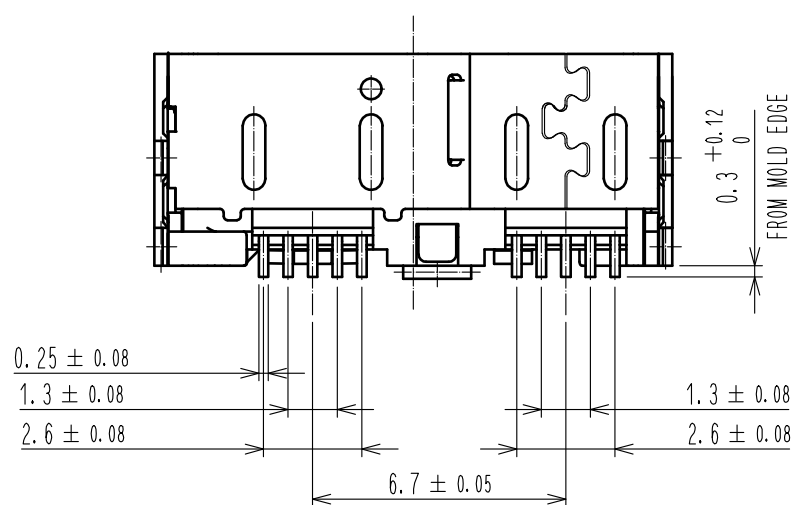
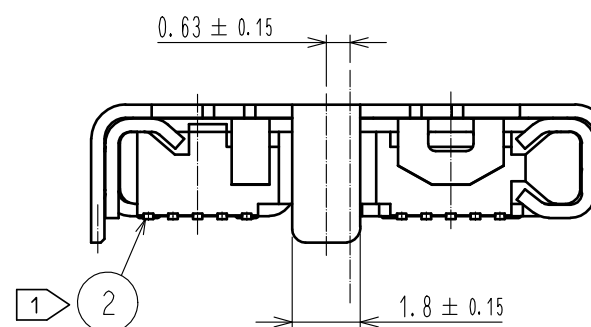
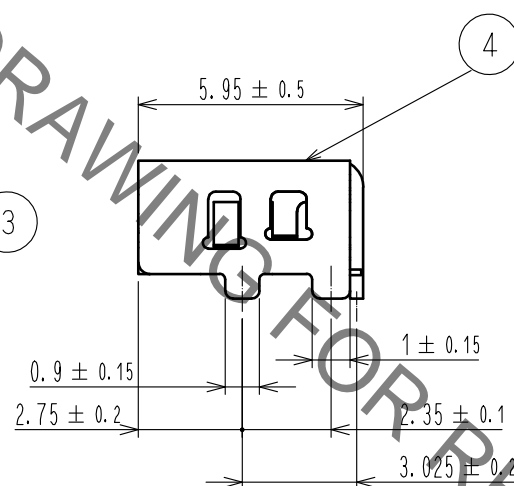
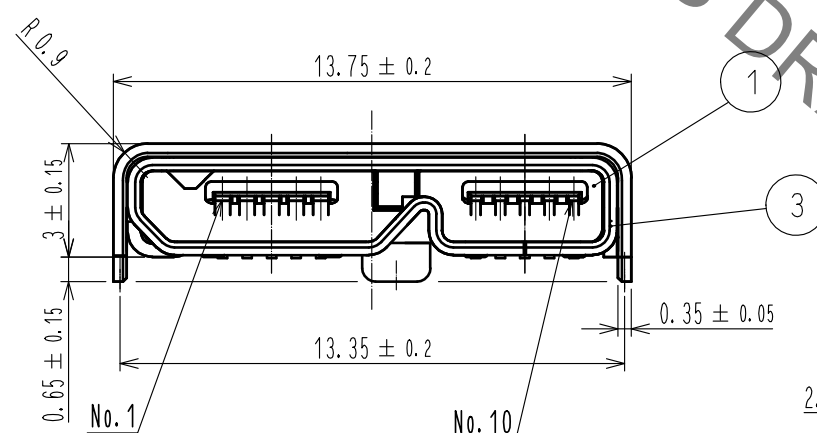
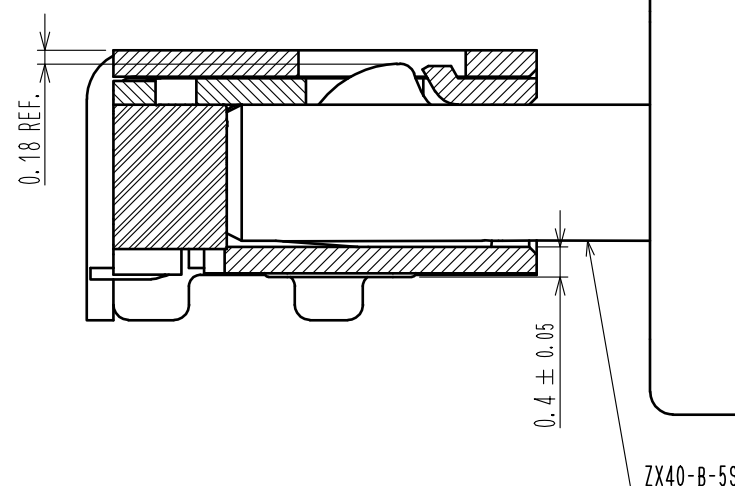
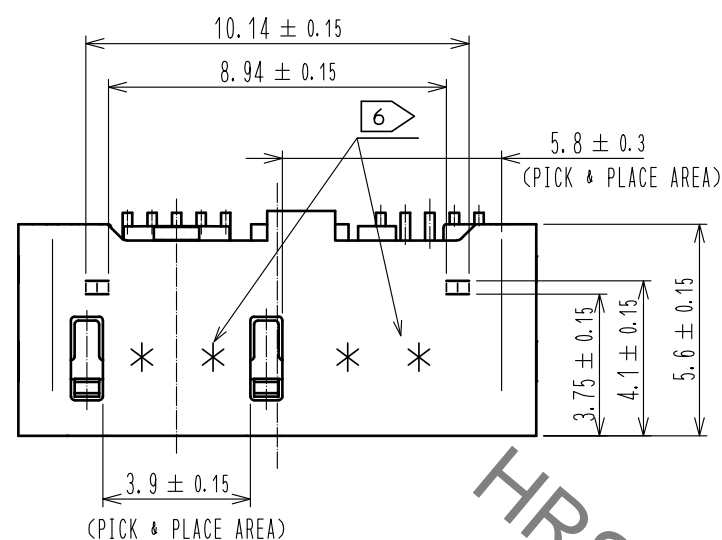


Sep.1.2020 Copyright 2020 HIROSE ELECTRIC CO., LTD. All Rights Reserved.
In case of consideration for using Automotive equipment / device which demand high reliability, kindly contact our sales window correspondents.

DRAWING FOR MATING (10:1)
(CROSS-SECTION OF LOCK)

6 LOT NUMBER (4 DIGITS)

YEAR	MONTH	DAY				LINE No.					
YEAR CODE	MONTH CODE	DAY CODE	DAY CODE	DAY CODE	DAY CODE	LINE No. CODE	LINE No. CODE				
2013	3	Jan.	A	1	1	11	B	21	M	1	A
2014	4	Feb.	B	2	2	12	C	22	N	2	B
2015	5	Mar.	C	3	3	13	D	23	P	3	C
2016	6	Apr.	D	4	4	14	E	24	Q	4	D
2017	7	May.	E	5	5	15	F	25	R	5	E
		Jun.	F	6	6	16	G	26	S	6	F
		Jul.	G	7	7	17	H	27	T	7	G
		Aug.	H	8	8	18	J	28	U	8	H
		Sep.	I	9	9	19	K	29	V	9	I
		Oct.	J	10	A	20	L	30	W	10	J
		Nov.	K					31	X	11	K
		Dec.	L								



- NOTES
- 1 CO-PLANARITY IS WITHIN 0.08 mm.
 - 2 THE PLATING SPECIFICATION
CONTACT AREA : PALLADIUM NICKEL PLATING 0.75 μm MIN. + GOLD PLATING 0.05 μm MIN.
MOUNTING AREA : GOLD PLATING 0.05 μm MIN.
UNDERPLATING : NICKEL PLATING 2 μm MIN.
 - 3 2000 PCS PER REEL.
 - 4 CONNECTOR OPENING CONFIGURATION SATISFIES USB3.0 SPECIFICATIONS.
 - 5 SCRATCH MARK COULD BE MADE ON THE SURFACE OF REF NO.3 AND NO.4 DURING ASSEMBLY PROCESS, WHICH DOES NOT AFFECT THE PERFORMANCE. LEVEL OF PLATING BRIGHTNESS COULD VARY, WHICH DOSE NOT AFFECT THE PERFORMANCE.
 - 6 INDICATE THE LOT NO. WITH 4 DIGITS AT THE SPECIFIED POSITION.

Halogen-Free
Lead Free Process
RoHS Compliant

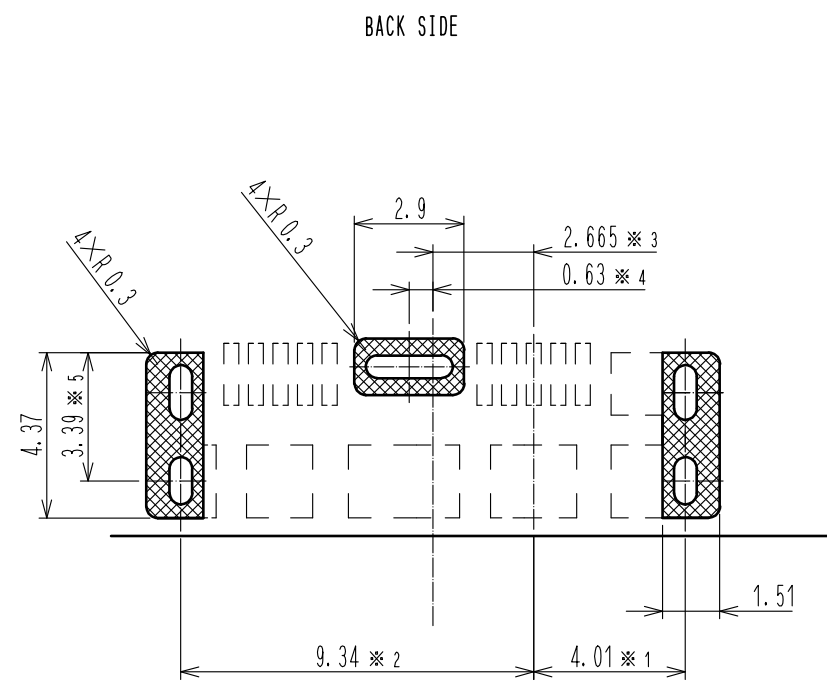
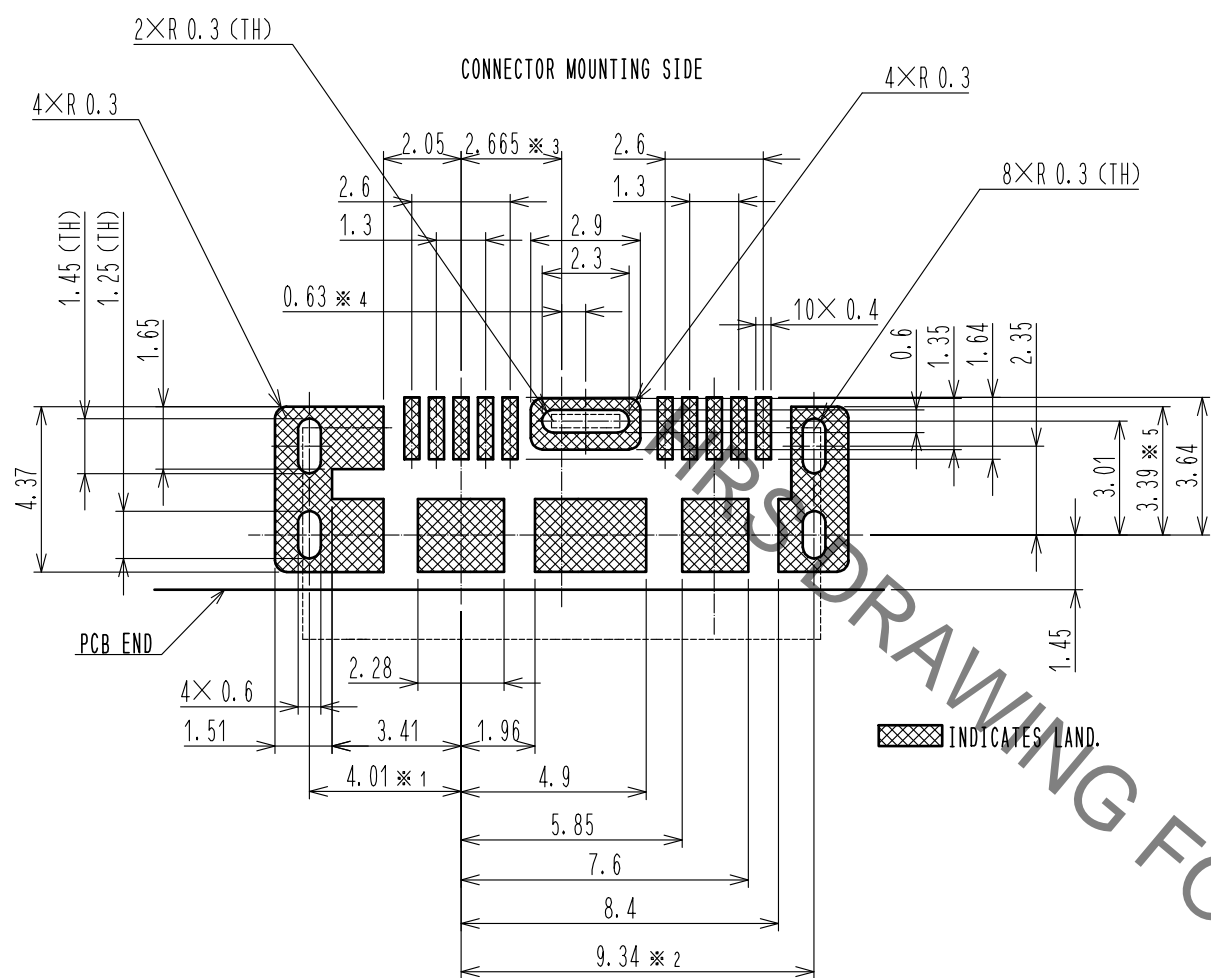
NO.	MATERIAL	FINISH . REMARKS	NO.	MATERIAL	FINISH . REMARKS
3	STAINLESS STEEL	NICKEL PLATING 1 μm MIN., LUBRICANT	6	PE	
2	COPPER ALLOY	2	5	PS	
1	LCP	BLACK UL94V-0	4	STAINLESS STEEL	TIN PLATING 1 μm MIN.

UNITS	SCALE	COUNT	DESCRIPTION OF REVISIONS	DESIGNED	CHECKED	DATE
mm	5 : 1	1	DIS-E-00001801	YS. SAKODA	AH. KODAMA	20181004

APPROVED	CHECKED	DESIGNED	DRAWN	DRAWING NO.	PART NO.	CODE NO.
NM. NISHIMATSU	KN. ICHIKAWA	TS. ITO	AK. AKIYAMA	EDC-128382-30-00	ZX360D1-B-CN-10P<30>	CL242-0514-6-30

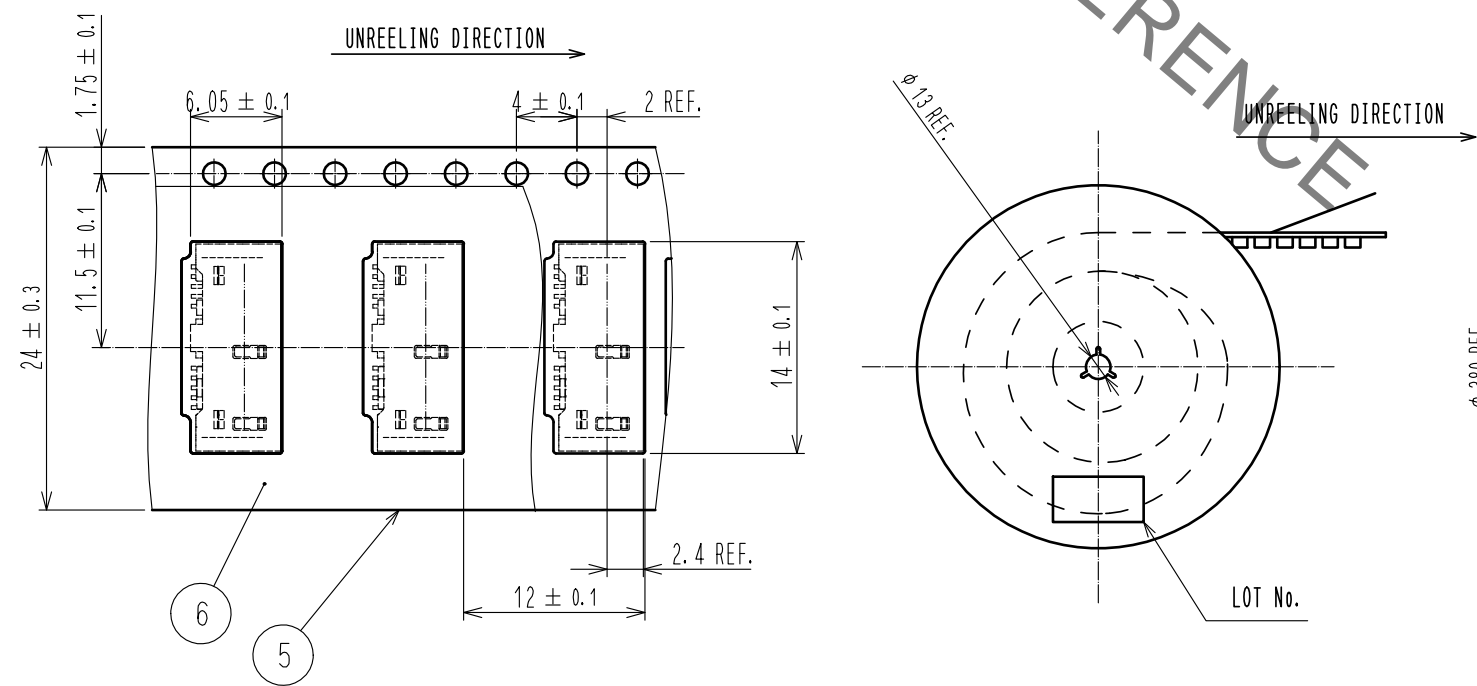
Sep.1.2020 Copyright 2020 HIROSE ELECTRIC CO., LTD. All Rights Reserved.
In case of consideration for using Automotive equipment / device which demand high reliability, kindly contact our sales window correspondents.

8 PCB LAYOUT FOR REFERENCE



7. EACH DIMENSION OF MARKING '*' IS DUPLICATED.
8. KEEP THE TOLERANCE WITHIN ±0.05 mm.

3 DRAWING FOR PACKAGING (FREE)



HRS	DRAWING NO.	EDC-128382-30-00
	PART NO.	ZX360D1-B-CN-10P(30)
	CODE NO.	CL242-0514-6-30
		2/2