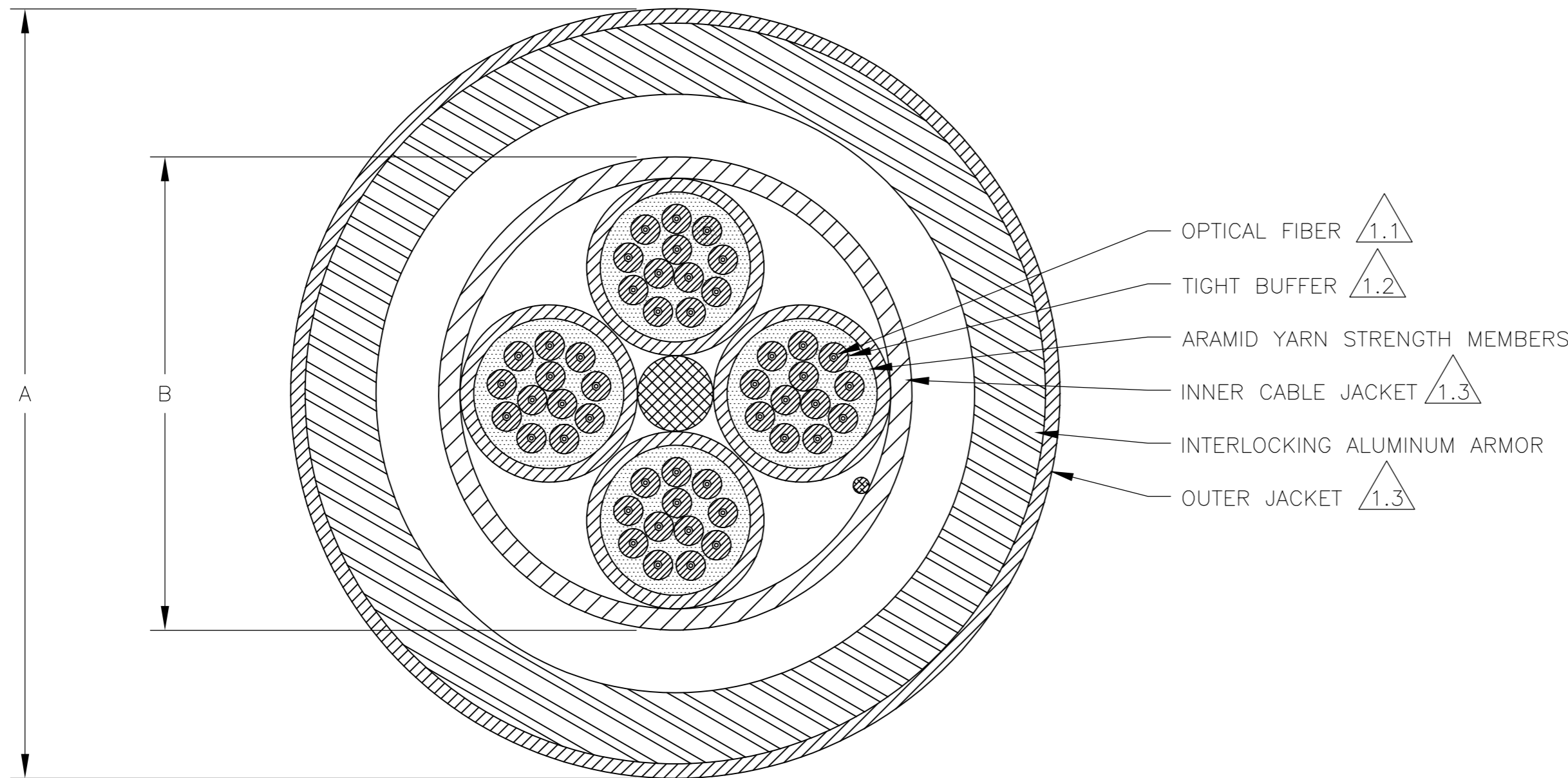


THIS DRAWING IS UNPUBLISHED. RELEASED FOR PUBLICATION
 © COPYRIGHT - By - ALL RIGHTS RESERVED.

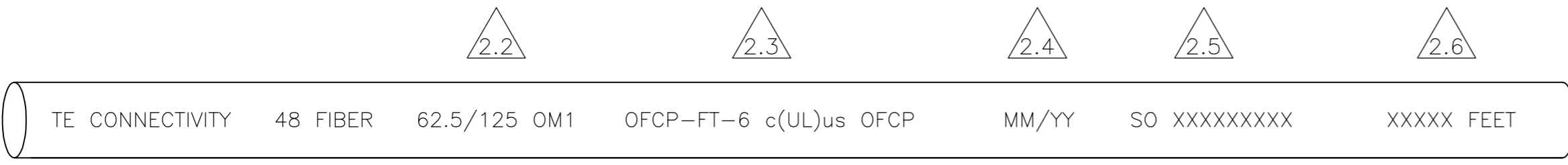
LOC	DIST	REVISIONS					
CE	17	P	LTR	DESCRIPTION	DATE	DWN	APVD
		F		REV PER ECO-13-003885	05MAR2013	JLM	AVB

PART NUMBER	FIBER TYPE 1.1 2.2	MAX ATTENUATION (dB/km)				MINIMUM OVERFILLED LAUNCH BANDWIDTH (MHz*km)		MINIMUM EFFECTIVE MODAL BANDWIDTH (MHz*km)		MINIMUM 10 GIGABIT ETHERNET LINK DISTANCE (meters)		A (mm)	A +/- (mm)	B (mm)	B +/- (mm)	JACKET COLOR 1.3	FLAME RATING 2.4	FIBER SPECIFICATION
		850nm	1300nm	1310nm	1550nm	850nm	1300nm	850nm	850nm									
1-1777123-7	62.5/125 OM1	3.5	1.2	N/A	N/A	200	500	N/A	33	23.8	+0.7 -1.4	16.7	+0.5 -2.6	ORANGE	OFCP	TIA-492AAAA-XBAXE		
2-1777123-7	50/125 OM2	3.5	1.5	N/A	N/A	500	500	N/A	82	23.8	+0.7 -1.4	16.7	+0.5 -2.6	ORANGE	OFCP	TIA-492AAAB-XBAX7		
3-1777123-7	OM3	3.0	1.0	N/A	N/A	1500	500	2000	300	23.8	+0.7 -1.4	16.7	+0.5 -2.6	AQUA	OFCP	TIA-492AAAC-XBAX		
4-1777123-6	OS2 BIF	N/A	N/A	0.4	0.3	N/A	N/A	N/A	N/A	24.5	+0.9 -1.1	15.9	+0.7 -1.3	YELLOW	OFCR	ITU-T G.657.A2		
4-1777123-7	OS2 BIF	N/A	N/A	0.4	0.3	N/A	N/A	N/A	N/A	23.8	+0.7 -1.4	16.7	+0.5 -2.6	YELLOW	OFCP	ITU-T G.657.A2		

TABLE CONTINUED ON PAGE 2



- CABLE CONSTRUCTION:
 - 1.1 OPTICAL FIBER: 245±10µm
SEE TABLE FOR TYPE.
OM2, OM3, OM4 AND OS2 FIBERS ARE BEND INSENSITIVE.
 - 1.2 TIGHT BUFFER: 900±50µm
TO BE COLOR CODED PER TIA-598.
 - 1.3 PVC JACKET:
SEE TABLE FOR COLOR. COLOR SPECIFICATION PER EIA-359.
- LEGEND:
 - 2.1 LEGEND REPEATED EVERY TWO FEET IN CONTRASTING COLOR INK.
 - 2.2 SEE TABLE FOR APPROPRIATE LEGEND PRINTING.
COMPOSITE CABLE LEGEND PRINTED: "48F - <NUMBER OF FIBERS OF FIRST FIBER TYPE> X <FIRST FIBER TYPE>, <NUMBER OF FIBERS OF SECOND FIBER TYPE> X <SECOND FIBER TYPE>". EXAMPLE: "48F - 24 X SM, 24 X OM3".
 - 2.3 FLAME RATING. SEE TABLE.
 - 2.4 MM/YY = MONTH/YEAR
 - 2.5 SO XXXXXX = SHOP ORDER NUMBER.
 - 2.6 XXXXX = SEQUENTIAL FOOT MARKING.
- RATINGS:
 - 3.1 UL OR ETL LISTED. LISTING INCLUDES THE RELEVANT CSA LISTING.
 - 3.2 QUALIFIED TO TELCORDIA GR-409-CORE AND UL 1569.



LEGEND 2.1

THIS DRAWING IS A CONTROLLED DOCUMENT.		DWN A. BROUGHTON	OBJAN10		
DIMENSIONS: mm		CHK A. BROUGHTON	OBJAN10		
TOLERANCES UNLESS OTHERWISE SPECIFIED:		APVD M. KEPKO	OBJAN10	NAME CABLE, ILJA, DISTRIBUTION, 48 FIBER	
0 PLC ± -		PRODUCT SPEC		SIZE A2	
1 PLC ± -		APPLICATION SPEC		CAGE CODE 00779	
2 PLC ± -		WEIGHT		DRAWING NO C=1777123	
3 PLC ± -		RESTRICTED TO		SHEET 1 of 2	
4 PLC ± -		CUSTOMER DRAWING		REV F	
ANGLES ± -		SCALE NTS		SHEET 1 of 2	
FINISH		SCALE NTS		SHEET 1 of 2	


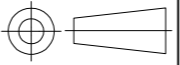
THIS DRAWING IS UNPUBLISHED. RELEASED FOR PUBLICATION
 © COPYRIGHT - By - ALL RIGHTS RESERVED.

LOC		DIST		REVISIONS			
P	LTR	DESCRIPTION	DATE	DWN	APVD		
-	-	SEE SHEET 1	-	-	-		

TABLE CONTINUED FROM PAGE 1

PART NUMBER	FIBER TYPE 1.1 2.2	MAX ATTENUATION (dB/km)				MINIMUM OVERFILLED LAUNCH BANDWIDTH (MHz*km)		MINIMUM EFFECTIVE MODAL BANDWIDTH (MHz*km)		MINIMUM 10 GIGABIT ETHERNET LINK DISTANCE (meters)	A (mm)	A +/- (mm)	B (mm)	B +/- (mm)	JACKET COLOR 1.3	FLAME RATING 2.4	FIBER SPECIFICATION
		850nm	1300nm	1310nm	1550nm	850nm	1300nm	850nm	850nm								
5-1777123-7	FIBERS 1-24: OS2 BIF	N/A	N/A	0.4	0.3	N/A	N/A	N/A	N/A	14.9	+1.5 -3.6	7.0	+0.4 -1.8	ORANGE	OFCP	ITU-T G.657.A2	
	FIBERS 25-48: OM3	3.0	1.0	N/A	N/A	1500	500	2000	300							TIA-492AAAC-XBAX	
6-1777123-7	FIBERS 1-24: OS2 BIF	N/A	N/A	0.4	0.3	N/A	N/A	N/A	N/A	14.9	+1.5 -3.6	7.0	+0.4 -1.8	ORANGE	OFCP	ITU-T G.657.A2	
	FIBERS 25-48: 50/125 OM2	3.5	1.5	N/A	N/A	500	500	N/A	82							TIA-492AAAB-XBAX7	
7-1777123-7	OM4	3.0	1.0	N/A	N/A	3500	500	4700	550	13.0	+0.8 -1.7	5.8	+0.4 -0.8	AQUA	OFCP	TIA-492AAAD-XBAX	

1777123

THIS DRAWING IS A CONTROLLED DOCUMENT.		DWN A. BROUGHTON OBJAN10	 TE Connectivity	
DIMENSIONS: mm		CHK A. BROUGHTON OBJAN10		
TOLERANCES UNLESS OTHERWISE SPECIFIED:		APVD M. KEPKO OBJAN10	NAME CABLE, ILJA, DISTRIBUTION, 48 FIBER	
		PRODUCT SPEC	-	
0 PLC ± - 1 PLC ± - 2 PLC ± - 3 PLC ± - 4 PLC ± - ANGLES ± -		APPLICATION SPEC	-	
MATERIAL	FINISH	WEIGHT	SIZE A2	CAGE CODE 00779
-	-	-	DRAWING NO C=1777123	RESTRICTED TO -
CUSTOMER DRAWING			SCALE NTS	SHEET 2 OF 2
			REV F	