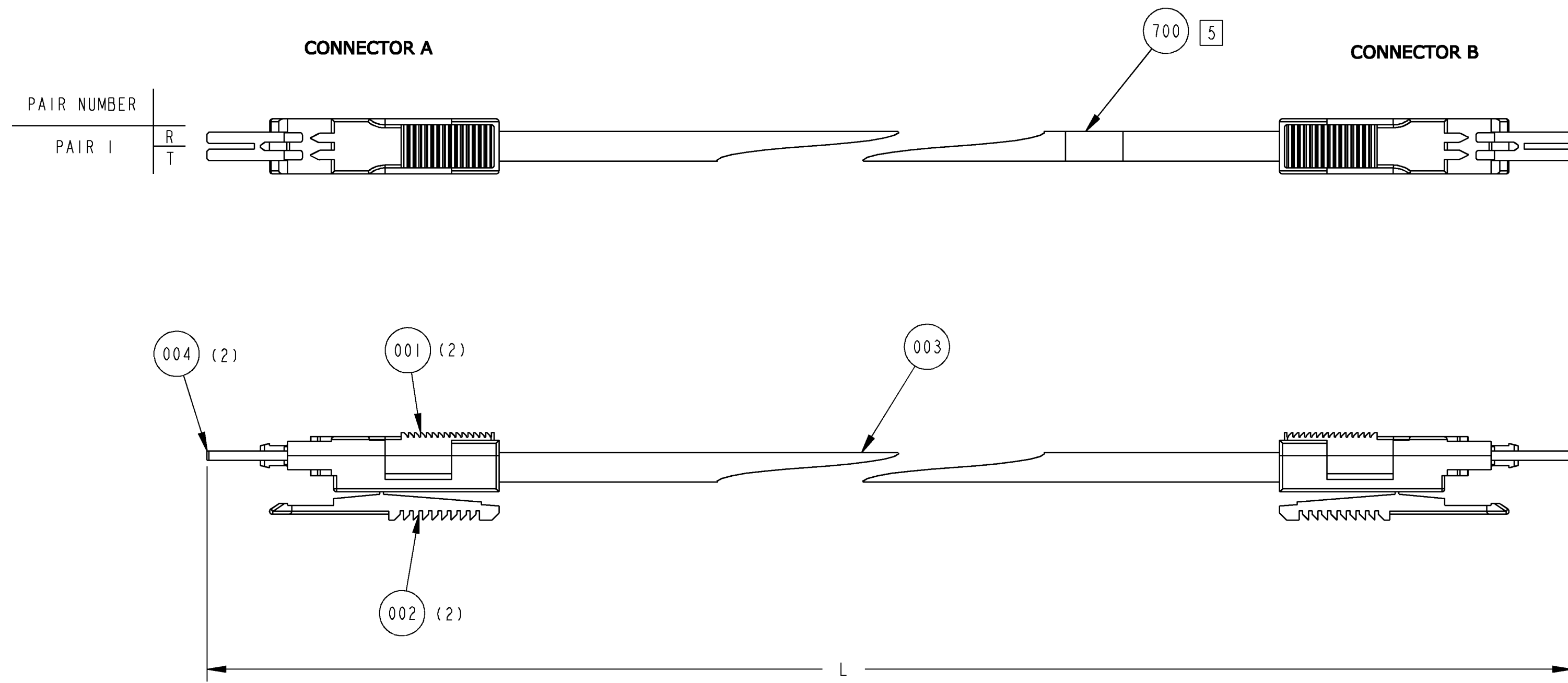


REV	MCO	DWN	DATE
I	000841	W B	15-MAR-02
A	20200661	RAA	22-AUG-06

CATALOG NUMBER SCHEME FOR PATCH CORD 1 PAIR HIGHBAND

6648 2 000-XX

CABLE LENGTH
CUSTOMER LENGTH IN FEET [3]



NOTES:

1. APPLICABLE STANDARDS/SPECIFICATIONS:
ANSI Y14.4M, DIMENSIONS AND TOLERANCES.

2. CORDS ARE WIRES TOP (CABLE) SIDE ONLY.

[3] FOR FRACTIONAL LENGTH, COULD BE APPEAR AT END AS FOLLOW:

-05.5 FOR 5.5 FEET.

[4] LENGTH IN WHOLE FEET. CABLE LENGTH TOLERANCE:

CABLE LENGTH $\begin{matrix} +3 \\ -0 \end{matrix}$ FOR PATCH CORDS UP TO 10 FEET.

CABLE LENGTH $\begin{matrix} +6 \\ -0 \end{matrix}$ FOR PATCH CORDS OVER TO 10 FEET.

[5] PRINT OUT PATCHCORD INFORMATION DIRECTLY ON THE CABLE
OR USING F/N 700.



INFORMATION ON THIS DOCUMENT IS PROPRIETARY TO ADC AND SHALL NOT BE USED, COPIED, REPRODUCED OR DISCLOSED IN WHOLE OR IN PART WITHOUT WRITTEN CONSENT OF ADC.		TITLE 1 PAIR HIGHBAND PATCHCORD ASSY DRW	
ALL DIMS AND TOLERANCES ARE INCHES UNLESS OTHERWISE SPECIFIED	.XX:±N/A .XXX:±N/A ANGULAR:±N/A	C SIZE	DRAWING NUMBER 66482000XX
DO NOT SCALE DRAWING		ENGR: LUIS SANCHEZ DWN: RUBEN ARMENDARIZ	A REV
		SHT. 1 OF 2	

DIMENSIONS IN INCHES
THIRD ANGLE PROJECTION

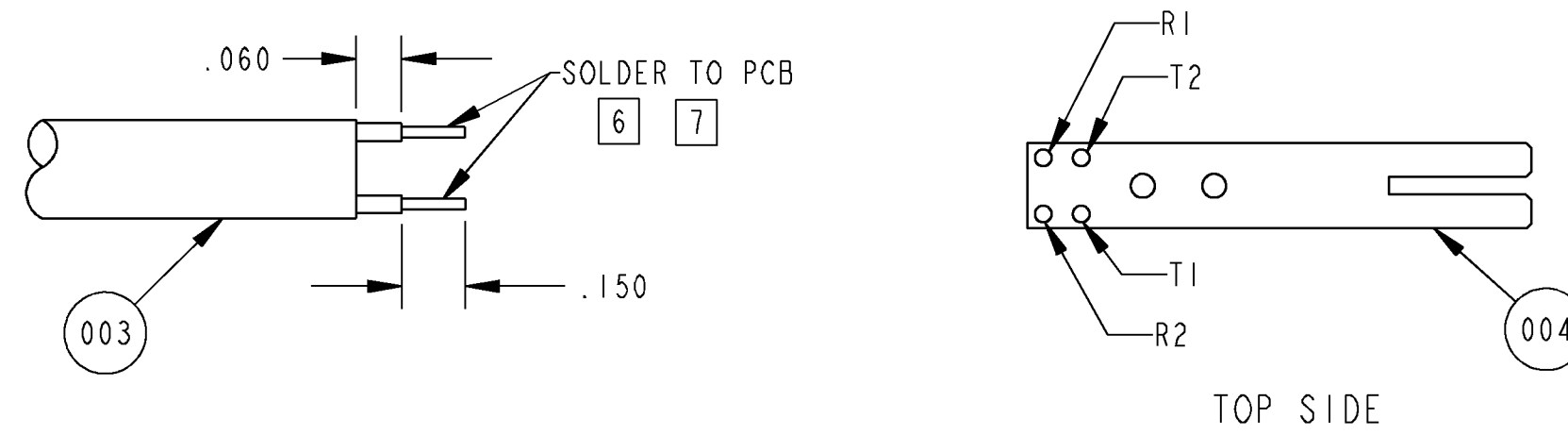
A

B

C

D

ASSY PCB AND CONTACTS VIEW



WIRING CONFIGURATION

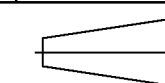
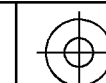
WIRING CONFIGURATION		
CONNECTOR A		CONNECTOR B
PIN	COLOR CODE	PIN
T1	WHITE/BLUE	T1
R1	BLUE	R1

NOTES:

- 6 CUT OFF WIRES WHITE/ORANGE AND ORANGE.
- 7 MUST BE SOLDER BY TOP SIDE OF THE F/N 004.



<small>INFORMATION ON THIS DOCUMENT IS PROPRIETARY TO ADC AND SHALL NOT BE USED, COPIED, REPRODUCED OR DISCLOSED IN WHOLE OR IN PART WITHOUT WRITTEN CONSENT OF ADC.</small>		TITLE 1 PAIR HIGHBAND PATCHCORD ASSY DRW	
<small>ALL DIMS AND TOLERANCES ARE INCHES UNLESS OTHERWISE SPECIFIED</small>	<small>.XX:±N/A .XXX:±N/A ANGULAR:±N/A</small>	C SIZE	DRAWING NUMBER 66482000XX
DO NOT SCALE DRAWING		ENGR: LUIS SANCHEZ DWN: RUBEN ARMENDARIZ	A REV SHT. 2 OF 2



DIMENSIONS IN INCHES
THIRD ANGLE PROJECTION

A

B

C

