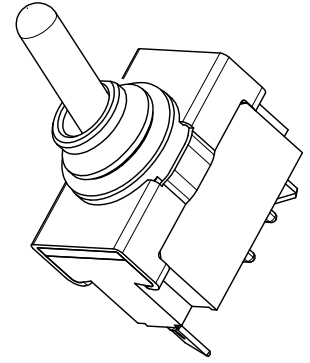
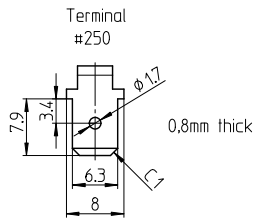
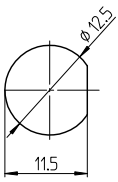


Example
 0610
 Year Month
 2006 Oktober

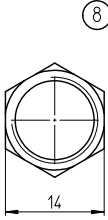


Notes:
 Operating temperature -20°C to +70°C
 Operating Force MAX 29,4N
 All materials and finishes comply with RoHS directive

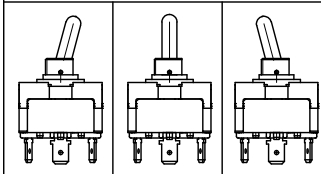
Mounting Hole



Nut



Function Chart



Specifications

| Rating | Initial Contact Resistance | Insulation Resistance | Dielectric Strength | Endurance | TE PN | Part | Terminals 1 and 2 | Terminals 2 and 3 | |
|--|--|----------------------------------|------------------------------------|--|-------------|----------|-------------------|-------------------|------|
| AC 125V 20A AC 250V 20A DC 30V 20A | MAX 10 milliohms at DC 2 ~ 4V 1A | MIN 1000 M Ohms at DC 500V | AC 1.5kV/1 min (AC 1.8kV/1 sec) | electrically 20.000 cycles at 20 cycles/min (rated load resistive) | 7-6437630-0 | AWTD1504 | ON | NONE | ON |
| | | | | mechanically 40.000 cycles at 20 cycles/min | 7-6437630-1 | AWTE1504 | ON | OFF | ON |
| | | | | | 7-6437630-4 | AWTF1504 | ON | NONE | (ON) |
| | | | | | 7-6437630-5 | AWTG1504 | (ON) | OFF | (ON) |
| | | | | | 7-6437630-6 | AWTH1504 | ON | OFF | (ON) |

(ON) : momentary action
 OFF : mechanical position
 without electrical connection
 NONE : no mechanical position

Materials Chart

| Part No. | Part Name | Material / Surface | Optional Description |
|----------|----------------------|------------------------|----------------------|
| 1 | Case | PM-EG | |
| 2 | F Contact | Silver alloy + C3602BD | |
| 3 | Common Contact | C3602BD | |
| 4 | Terminal | C2680R | |
| 5 | Frame | SPCC | EP-Fe/Zn4/CM |
| 6 | Bushing | Zinc alloy | EP-Zn/Cu5,Ni10b |
| 7 | Actuator | C3602BD-F | EP-Cu/Ni3,Cr1b |
| 8 | Nut | C3602BD | EP-Cu/Ni3b |
| 9 | L Washer | SK-5 | EP-Fe/Ni3b |
| 10 | Shaft | SUS | |
| 11 | Rubber seal | NBR | |
| 12 | Insert molded rubber | Silicon rubber | |

| TOLERANCES UNLESS OTHERWISE SPECIFIED ACCORDING TO ISO 8015 and ISO 2768-F | | | | DIMENSIONS: mm | |
|--|------------------------------|---|--|----------------|--|
| test dimen. / Prüfmaß: | auxiliary dimen. / Hilfsmaß: | theor. dimen. / theor. Maß: | | | |
| production control dimen. / Fertigungs-kontr.maß: | | dimen. for measure. technology / messtechn. rel. Maß: | | | |
| DEPARTMENT | | D&E | | DRAWER | |
| DRAWER | | 05.09.2007 | | SA008712 | |
| CHECKED | | APPROVED | | DATE | |
| ECR-NO.: | | DATE | | NAME | |

| SCALE: | NAME: | DWG NO.: |
|------------------|-------|------------------|
| | | C=1968500 |
| REPLACEMENT FOR: | | OPTIONAL NO.: |
| DWG LOC NO.: | | Customer Drawing |
| SHEET: 1 OF 1 | | REVISION: B |

THE INFORMATION IS CONFIDENTIAL AND PROPRIETARY TO TYCO ELECTRONICS AUSTRIA GMBH. AND ITS WORLDWIDE SUBSIDIARIES AND AFFILIATES. IT MAY NOT BE DISCLOSED TO ANYONE OTHER THAN TYCO ELECTRONICS PERSONNEL WITHOUT WRITTEN AUTHORIZATION FROM TYCO ELECTRONICS AUSTRIA.