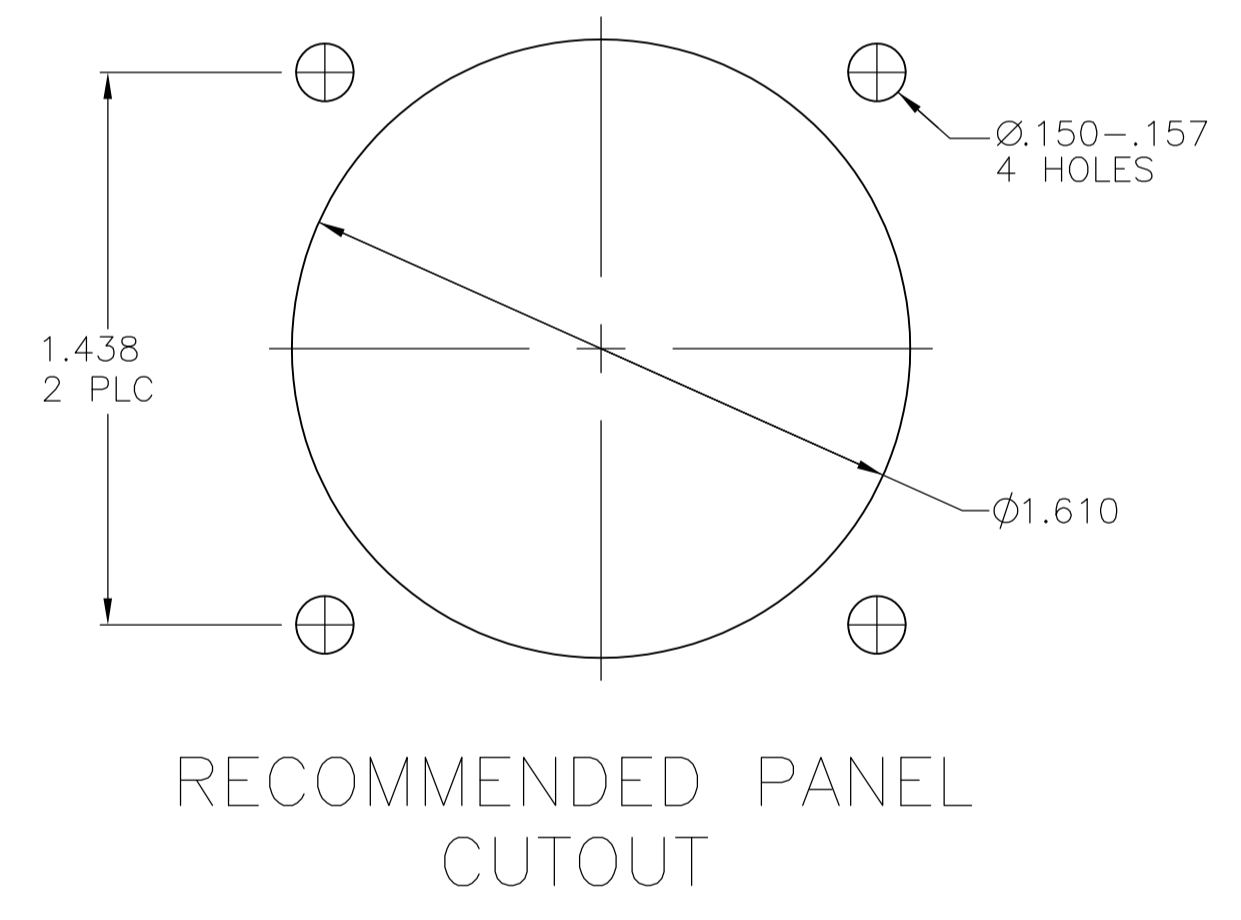
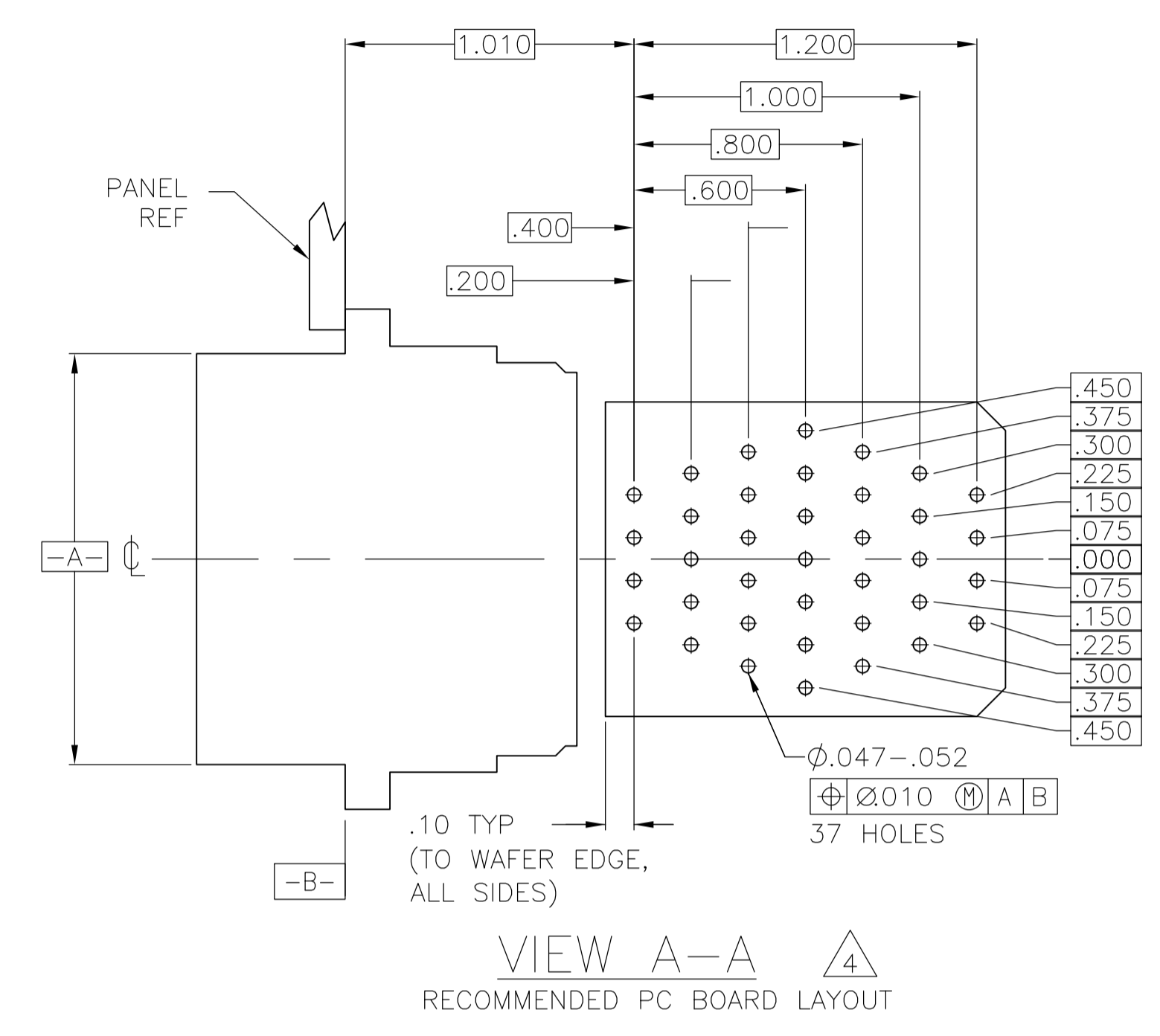
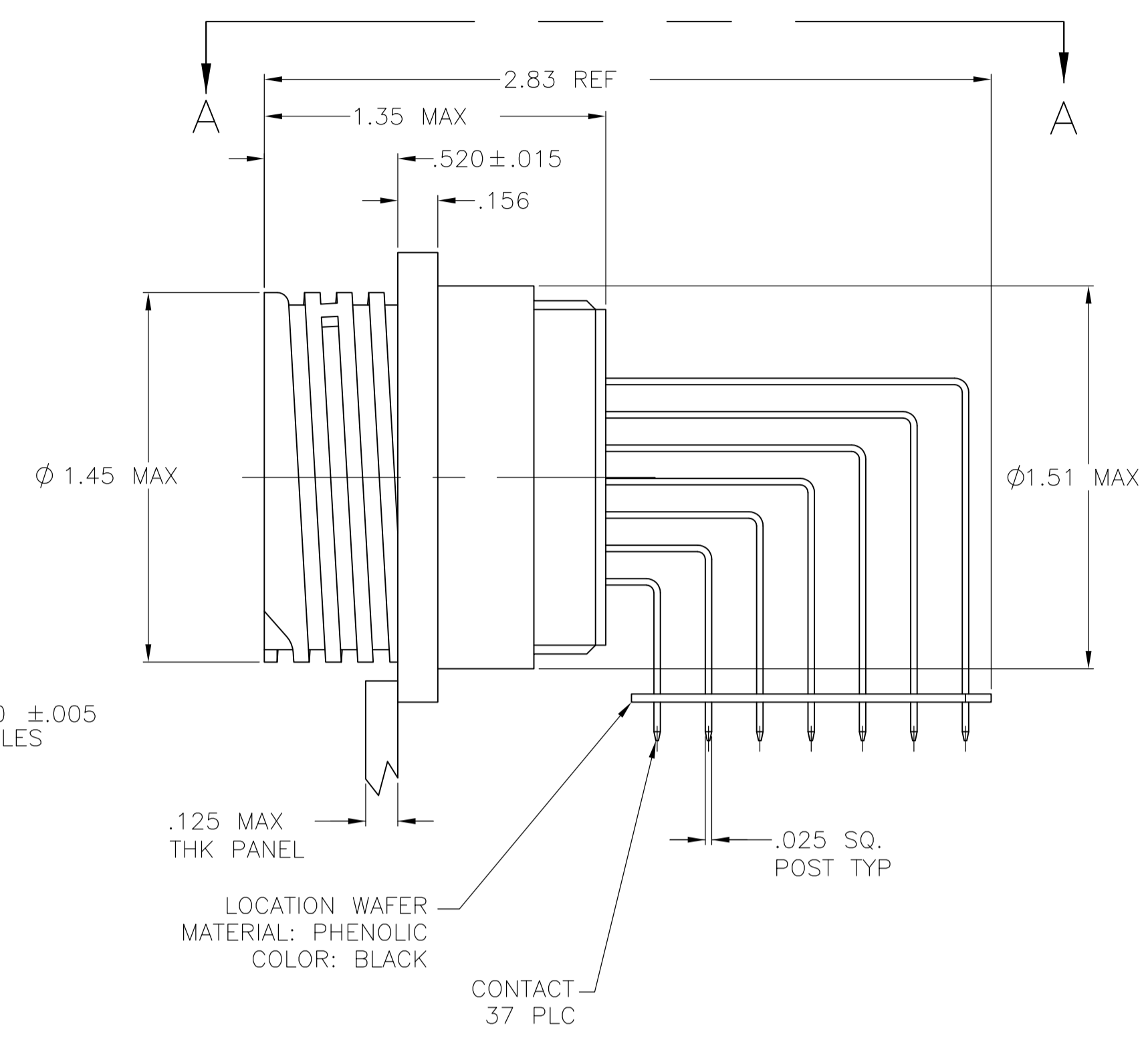
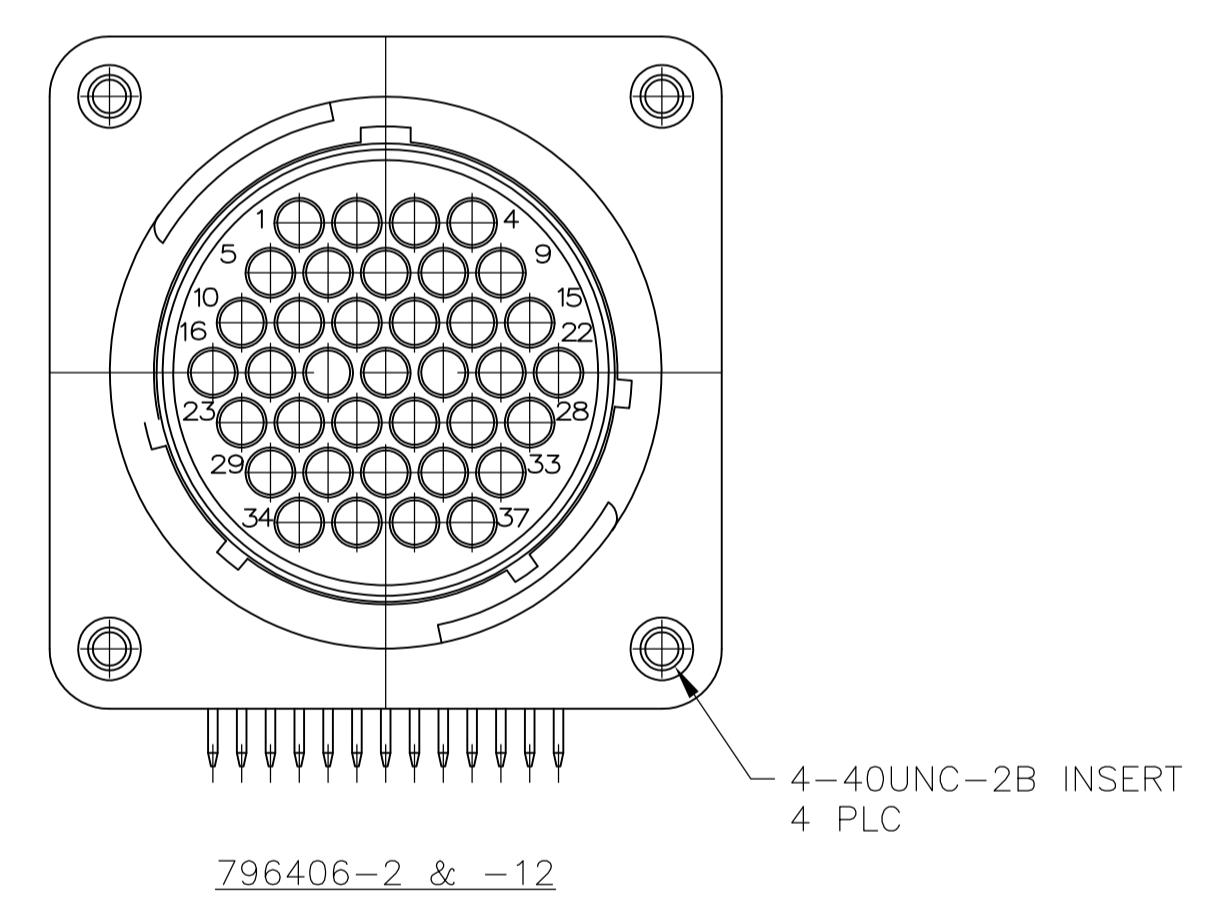
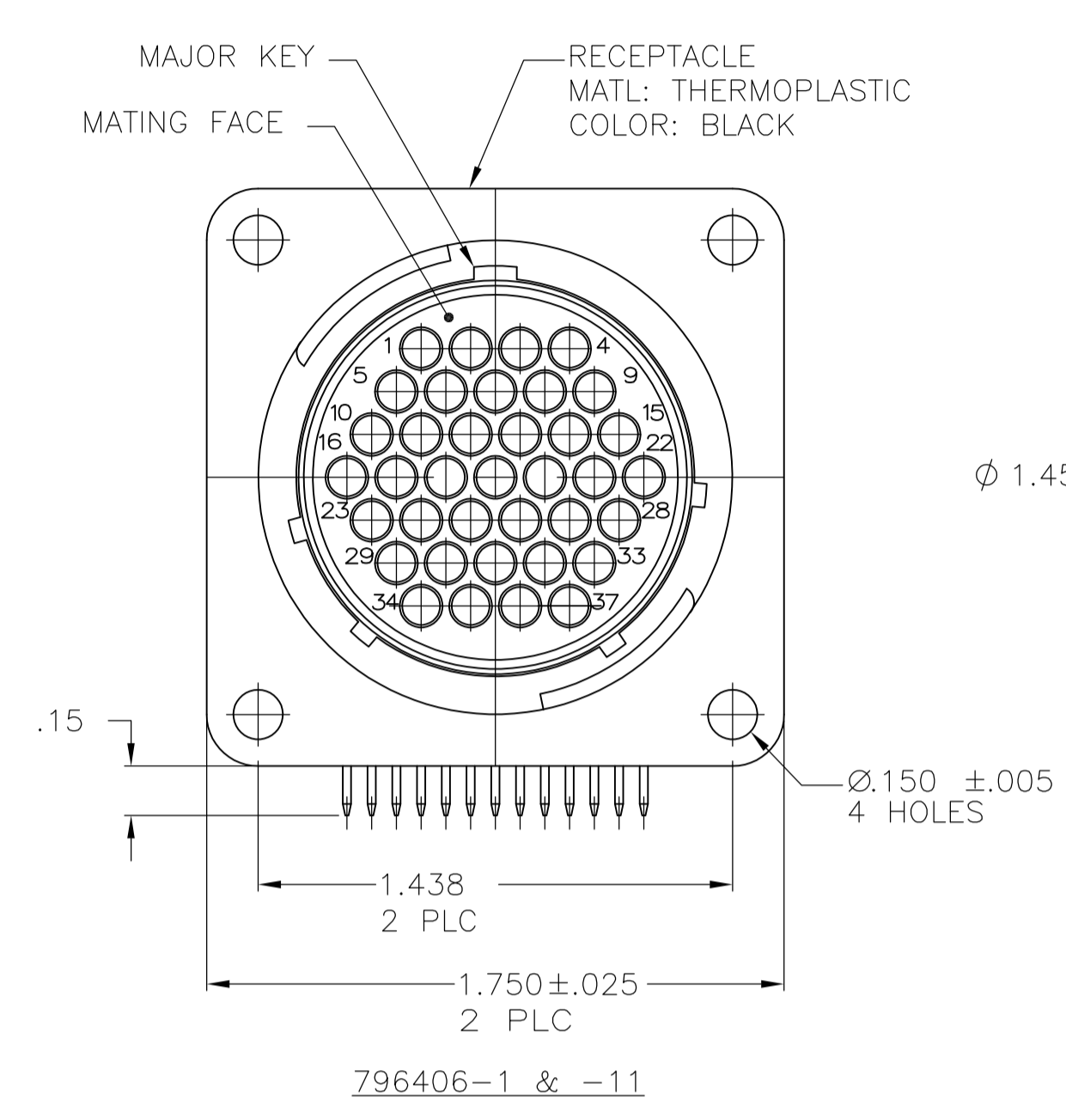


LOC		DIST		REVISIONS			
P	LTR	DESCRIPTION	DATE	DWN	APVD		
G3		REVISED PER ECO-11-004917	11MAR11	RK	HMR		



- 1 CONTACT CAVITIES IDENTIFIED BY CHARACTERS ON FRONT AND REAR FACES OF CONNECTOR.
- 2 #6 FASTENER RECOMMENDED FOR MOUNTING.
- 3 CONTACT BODY: .000030 MIN GOLD FOR A LENGTH OF .250 MIN FROM MATING END, WITH REMAINDER TO BE GOLD FLASH, BOTH OVER .000050 MIN NICKEL. CONTACT POST: .000100 MIN TIN-LEAD OVER .000100 MIN COPPER.
- 4 PC BOARD HOLE PATTERN IS DEFINED RELATIVE TO CONNECTOR C.L. AND PANEL MOUNTING FACE INDICATED.
- 5 CONTACT BODY: .000030 MIN GOLD FOR A LENGTH OF .250 MIN FROM MATING END, WITH REMAINDER TO BE GOLD FLASH, BOTH OVER .000050 MIN NICKEL. CONTACT POST: .000100 MIN TIN OVER .000100 MIN COPPER.
- 6 CONTACT BODY: .000100 MIN TIN FOR A LENGTH OF .250 MIN FROM MATING END, OVER .000050 MIN NICKEL. CONTACT POST: .000100 MIN TIN OVER .000100 MIN COPPER.
- 7 PIN POSITIONS 2, 6, 10, 17, 23, 29 & 34 VACANT
- 8 PIN POSITIONS 3, 8, 14, 21, 27 & 33 VACANT

PRELIMINARY	CONTACT FINISH	PERIPHERAL SEAL	THREADED INSERT	PART NUMBER
5	YES	YES		1-796406-2
5	NO	NO		1-796406-1
6	YES	NO	8	796406-5
6	YES	NO	8	796406-4
6	NO	NO		796406-3
3	NO	YES		796406-2
3	NO	NO		796406-1

THIS DRAWING IS A CONTROLLED DOCUMENT.

DIMENSIONS: INCHES	TOLERANCES UNLESS OTHERWISE SPECIFIED:	DIN HAMNER 3-7-00	APVD M.CHACKO 3-9-00	NAME	RECEPTACLE ASSY, POSTED, RT ANGLE, STD SEX, SIZE 23-37, SERIES 1, CPC
0 PLC ± -	1 PLC ± -	3-9-00	3-9-00	SIZE	A1
1 PLC ± -	2 PLC ± .03			WEIGHT	00779
2 PLC ± .03	3 PLC ± .010			CUSTOMER DRAWING	796406
3 PLC ± .010	4 PLC ± -			SCALE	2:1
4 PLC ± -	ANGLES ± 1'			SHEET	1 OF 1
				REV	G3

STE TE Connectivity