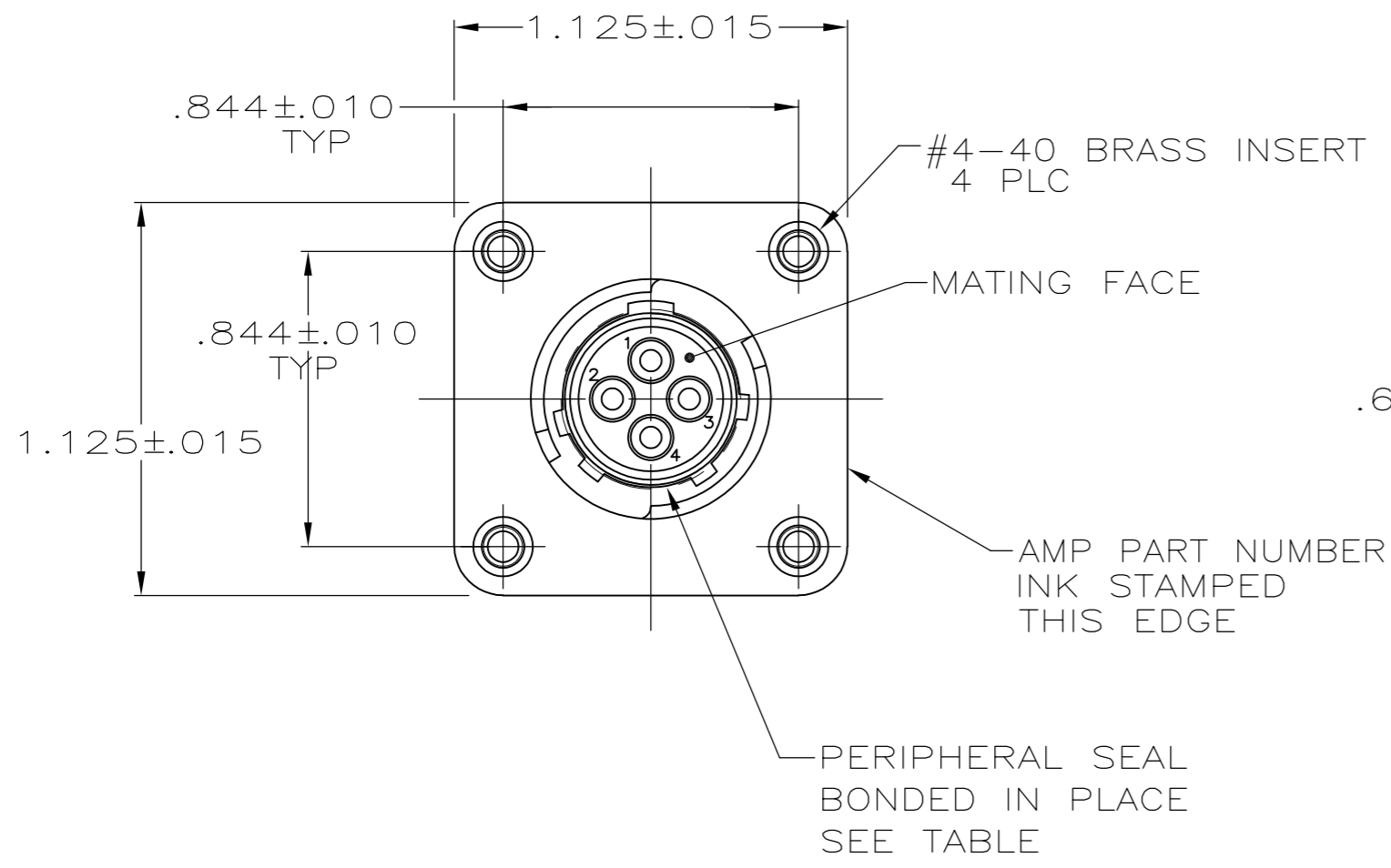


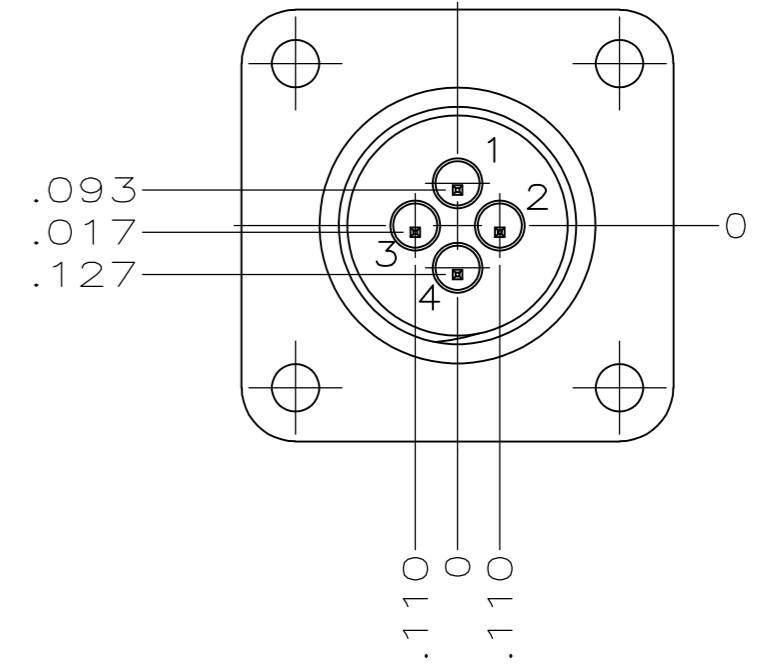
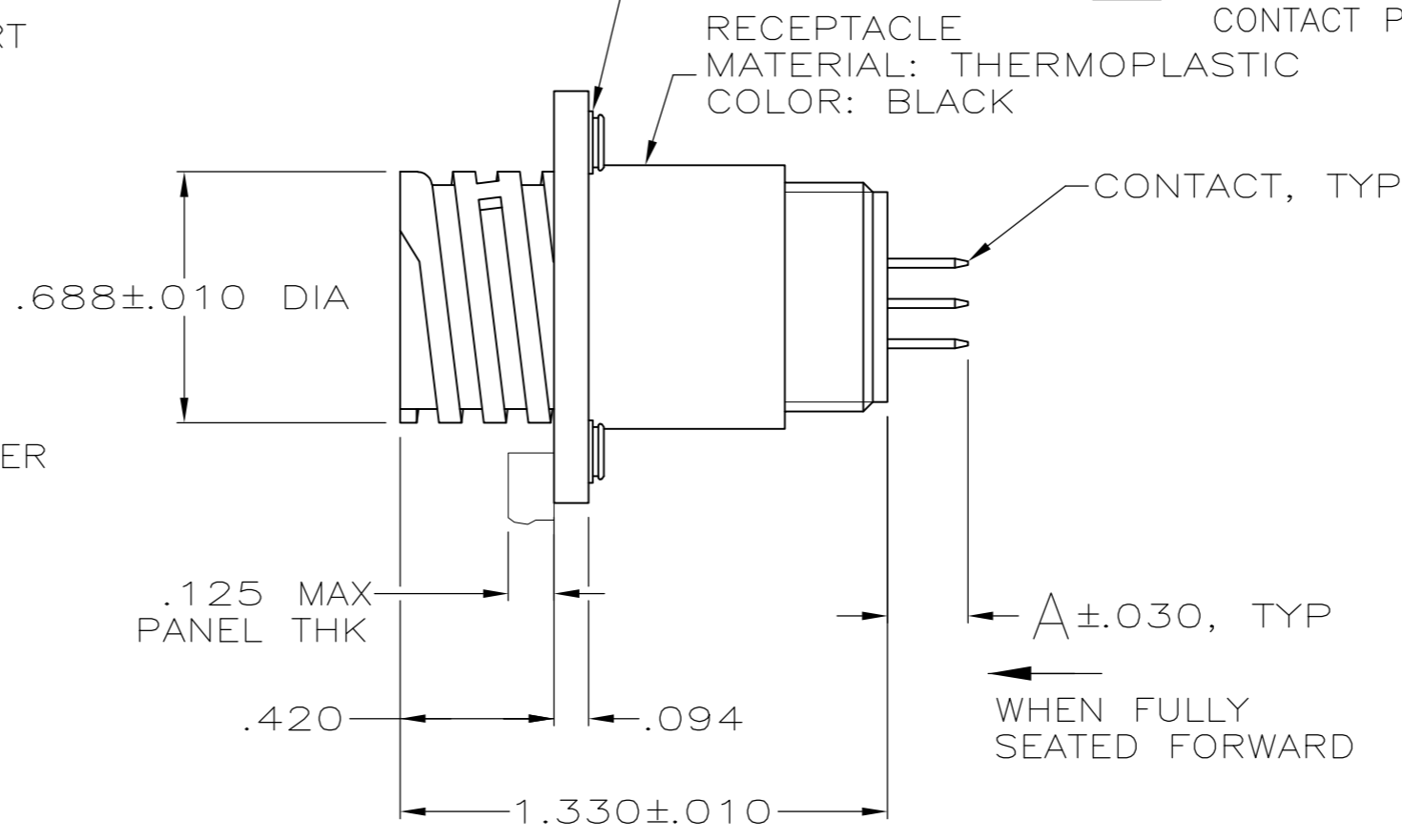
THIS DRAWING IS UNPUBLISHED. RELEASED FOR PUBLICATION
 © COPYRIGHT - By - ALL RIGHTS RESERVED.

LOC		DIST		REVISIONS			
P	LTR	DESCRIPTION		DATE	DWN	APVD	
FT	0	R3	REVISED PER ECO-11-004917		11MAR11	RK	HMR

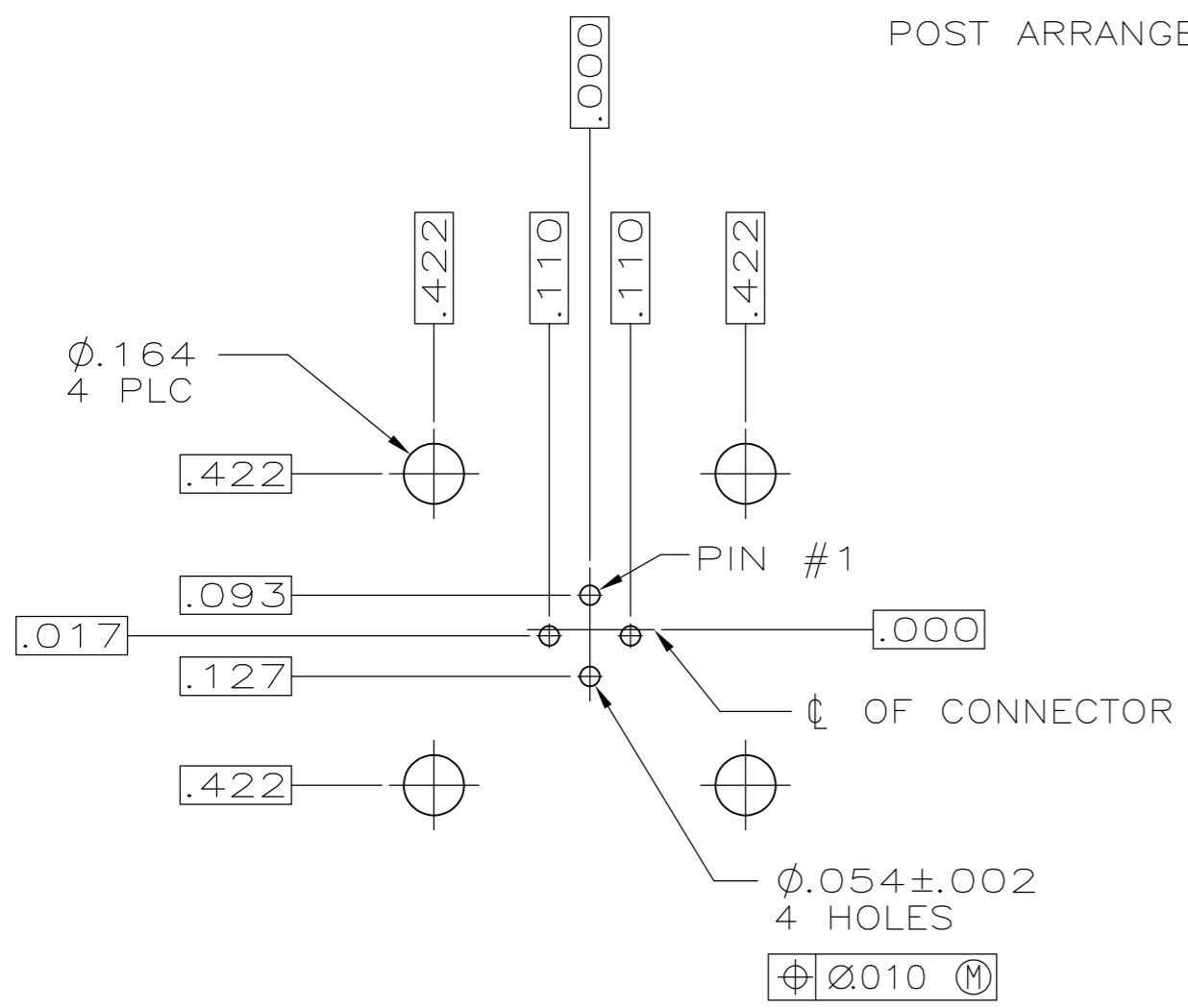
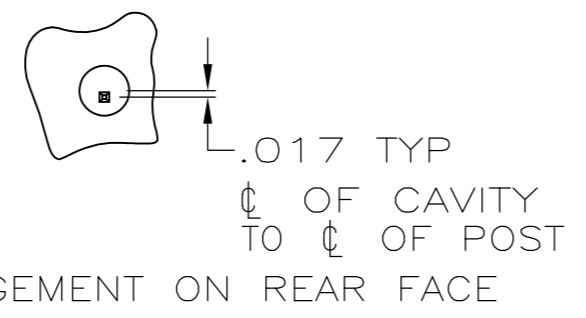
- 1 RECEPTACLE IS LOADED WITH 4 TYPE III+ POSTED PIN CONTACTS.
- 2 CONTACT BODY: GOLD PER MIL-G-45204 OVER NICKEL PER QQ-N-290. CONTACT POST: TIN-LEAD PER MIL-T-10727 OVER COPPER PER MIL-C-14550A.
- 3 CONTACT BODY: GOLD PER MIL-G-45204 OVER NICKEL PER QQ-N-290. CONTACT POST: TIN OVER COPPER PER MIL-C-14550A.
- 4 CONTACT BODY: TIN OVER NICKEL PER MIL-C-14550A. CONTACT POST: TIN OVER NICKEL PER MIL-C-14550A.



#4-40 THD INSERT
 MATERIAL: BRASS
 SEE TABLE



A±.030, TYP
 WHEN FULLY SEATED FORWARD



RECOMMENDED P.C. BOARD LAYOUT

3	.220	YES	NO	1-207825-5
4	.429	YES	YES	1-207825-4
3	.119	NO	NO	1-207825-2
4	.618	NO	YES	1-207825-1
3	.119	YES	YES	1-207825-0
3	.119	NO	YES	207825-9
2	.220	YES	NO	207825-8
2	.429	YES	YES	207825-7
2	.119	NO	NO	207825-6
2	.119	NO	NO	207825-5
2	.618	NO	YES	207825-4
2	.119	YES	YES	207825-3
2	.220	NO	YES	207825-2
2	.119	NO	YES	207825-1
CONTACT FINISH		A	PERIPHERAL SEAL	THREADED INSERTS
PART NUMBER		1-207825-5		

OBSOLETE

THIS DRAWING IS A CONTROLLED DOCUMENT.

DWN: R.LEE BG 7-1-91
 CHK: W.G.LENKER 4-14-92
 APVD: -
 NAME: -

TE Connectivity

RECEPTACLE ASSEMBLY, POSTED, STD SEX, SERIES 1, 11-4, CPC

PRODUCT SPEC: 108-10024
 APPLICATION SPEC: -

SIZE: A2 CAGE CODE: 00779 DRAWING NO: C-207825 RESTRICTED TO: -
 WEIGHT: - SCALE: 2:1 SHEET: 1 of 1 REV: R3

MATERIAL: - FINISH: CONTACT: 2

CUSTOMER DRAWING