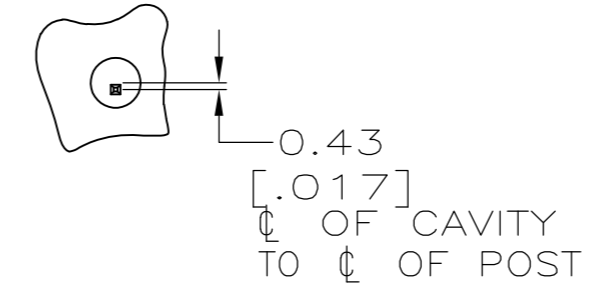
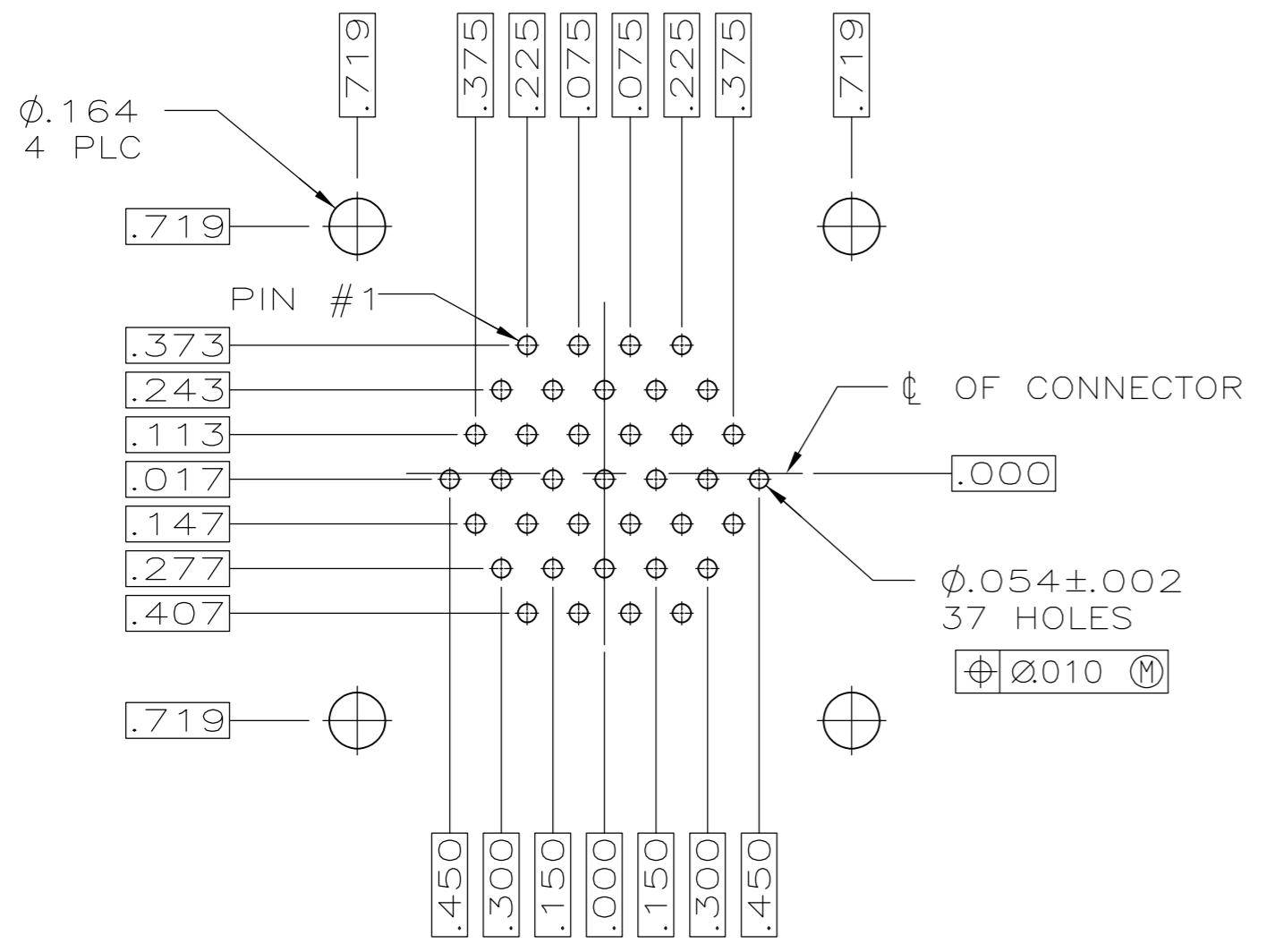
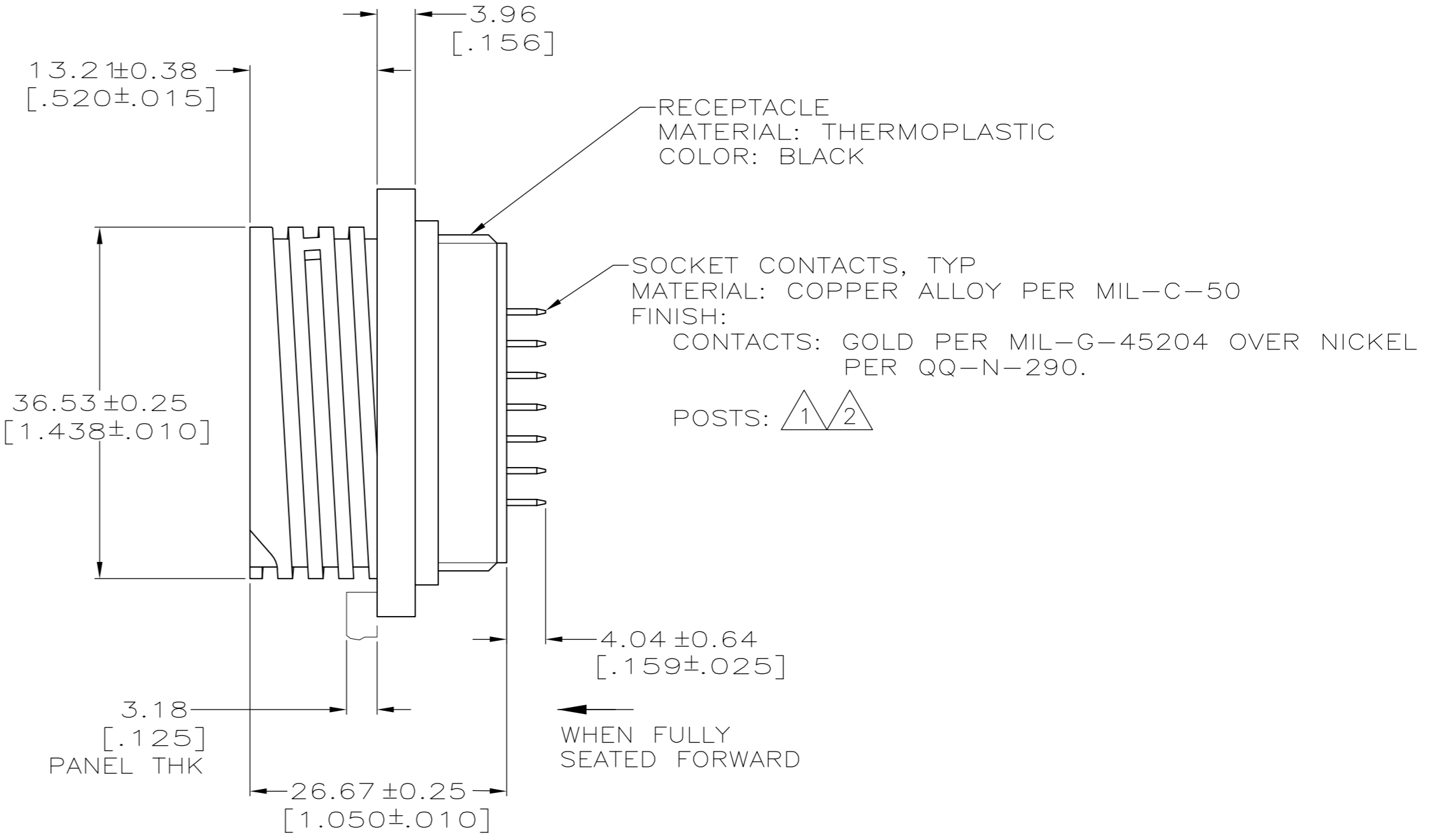
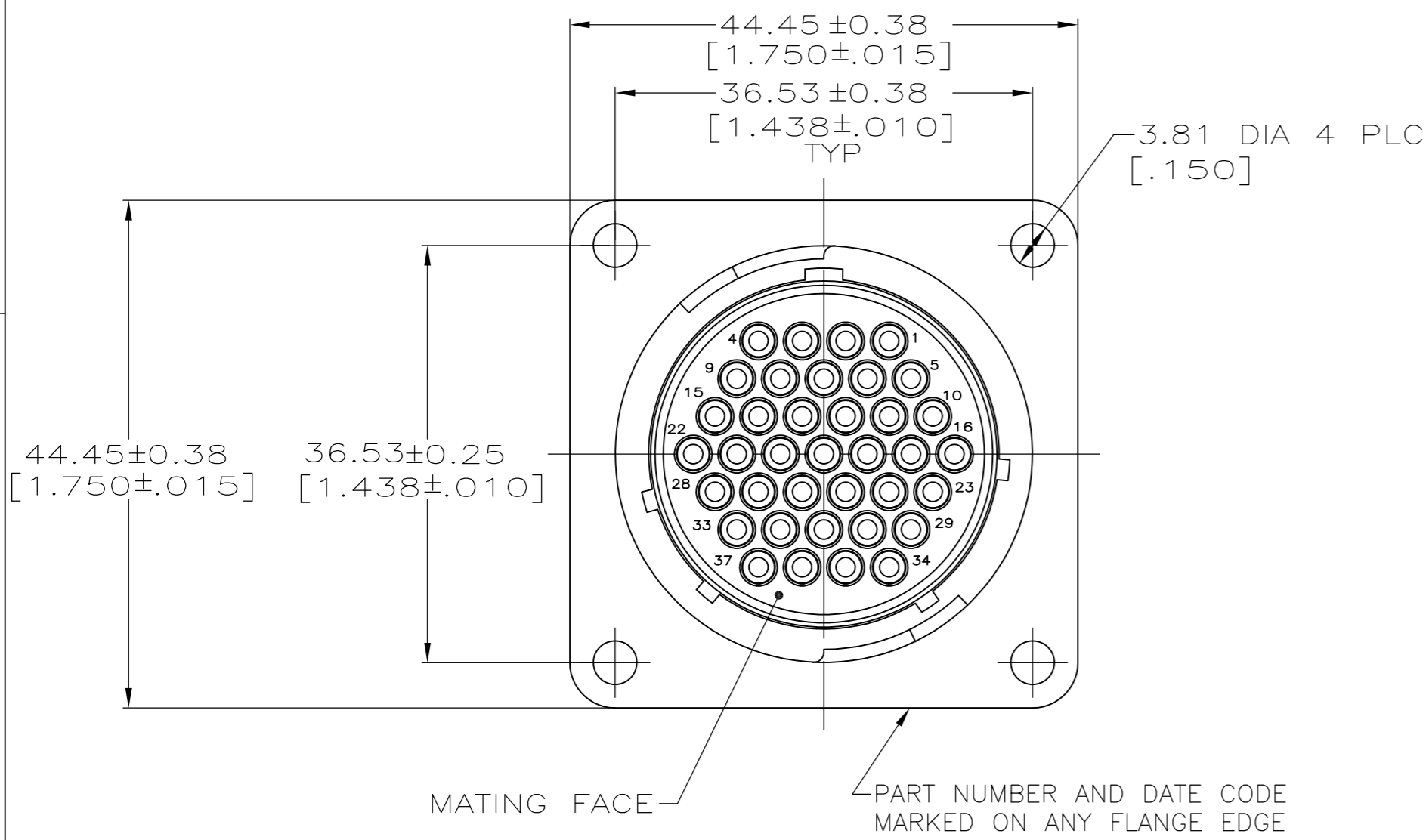


THIS DRAWING IS UNPUBLISHED. RELEASED FOR PUBLICATION
 © COPYRIGHT - By - ALL RIGHTS RESERVED.

LOC		DIST		REVISIONS			
P	LTR	DESCRIPTION		DATE	DWN	APVD	
FT	0	F		REVISED PER ECO-12-015665	26SEP12	KH	MZ



POST ARRANGEMENT ON REAR FACE

- $\triangle 1$.000100 MIN. MATTE TIN-LEAD OVER .000050 MIN NICKEL.
- $\triangle 2$.000100 MIN. MATTE TIN OVER .000050 MIN NICKEL.

YES	$\triangle 2$	207890-3
NO	$\triangle 2$	207890-2
NO	$\triangle 1$	207890-1
PERIPHERAL SEAL	FINISH	PART NUMBER

RECOMMENDED P.C. BOARD LAYOUT

THIS DRAWING IS A CONTROLLED DOCUMENT.		DWN 05/15/95 C.J. REIFSNYDER	TE TE Connectivity	
DIMENSIONS: mm [INCHES]		CHK 05/24/95 R.STONE		
TOLERANCES UNLESS OTHERWISE SPECIFIED:		APVD 05/25/95 AL FRANTUM	NAME	
0 PLC ± -		PRODUCT SPEC	RECEPTACLE ASSEMBLY, POSTED, REVERSE SEX, SERIES 1, 23-37, CPC	
1 PLC ± -		APPLICATION SPEC	SIZE	CAGE CODE
2 PLC ± 0.13 [.005]		WEIGHT	A2	00779
3 PLC ± -		CUSTOMER DRAWING	SCALE	SHEET
4 PLC ± -			2:1	1 of 1
ANGLES ± -			REV	F
FINISH SEE CALLOUT				