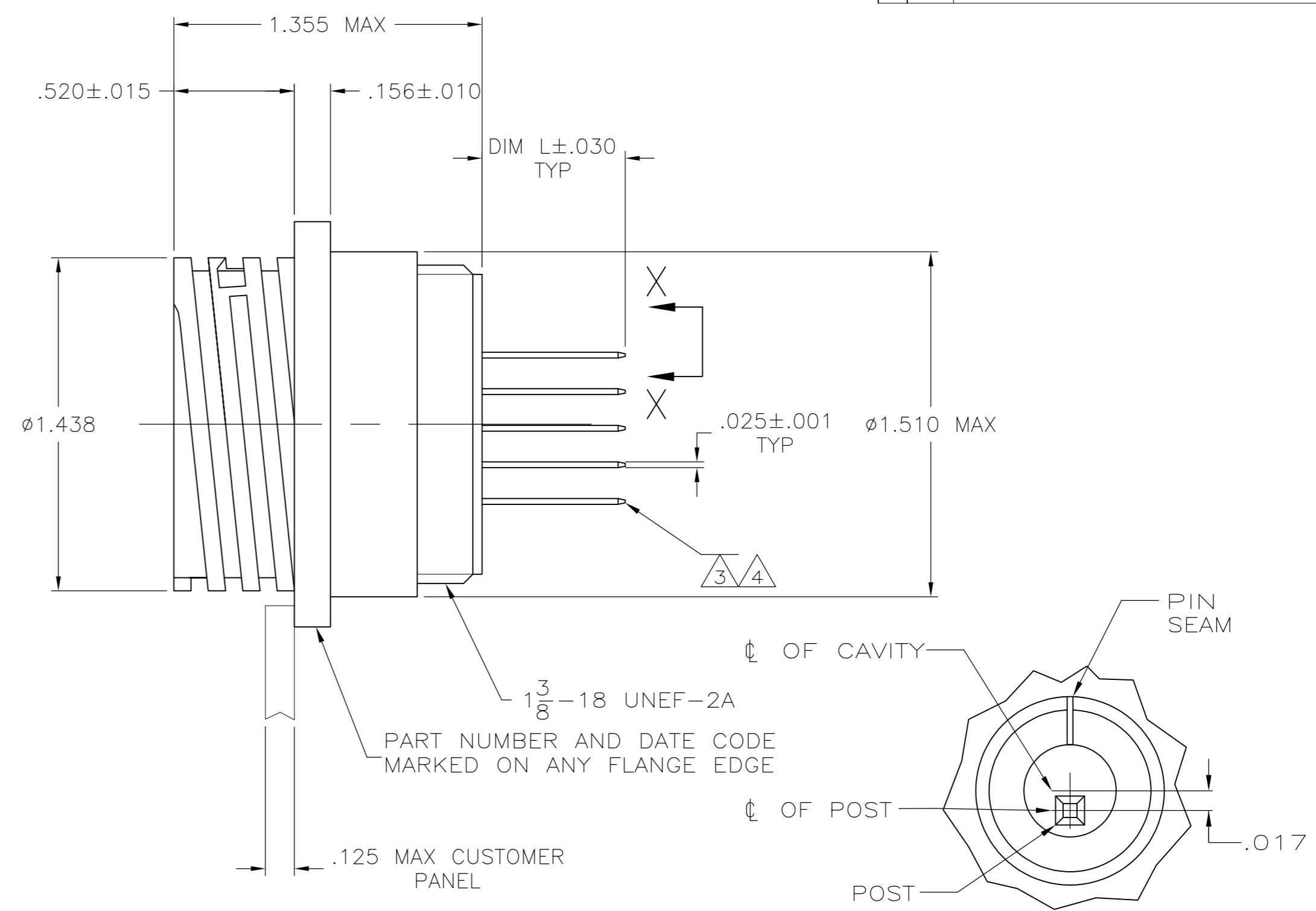
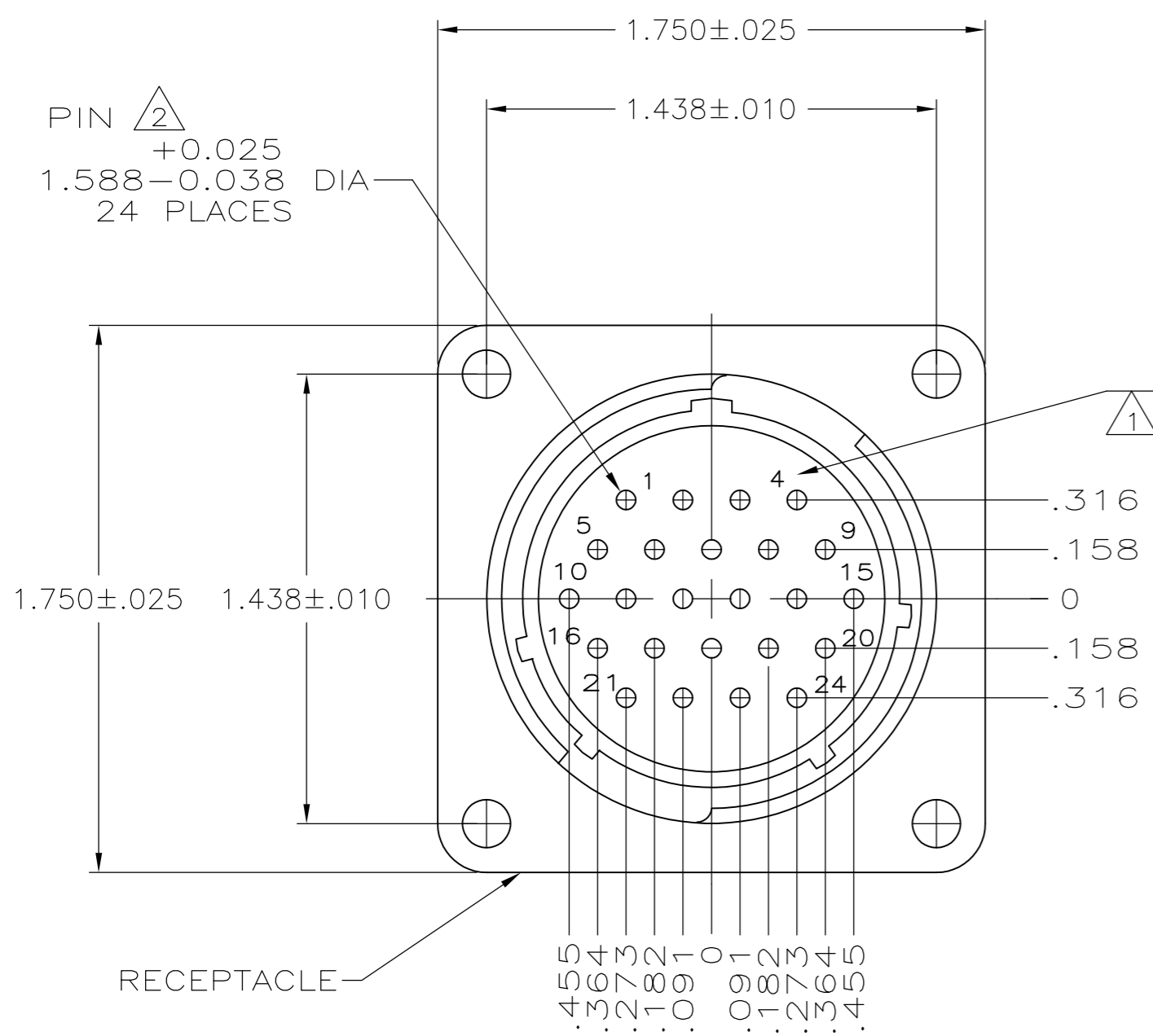


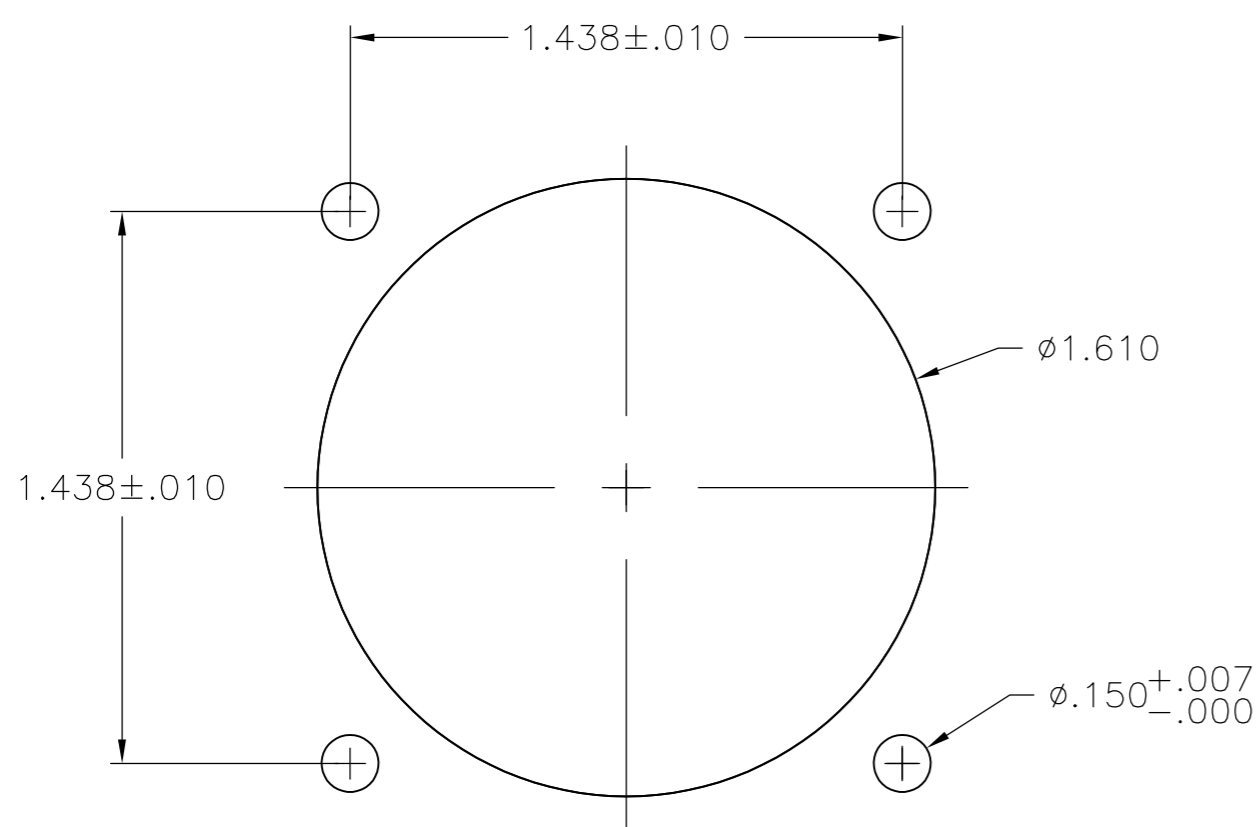
THIS DRAWING IS UNPUBLISHED. RELEASED FOR PUBLICATION  
 © COPYRIGHT - By - ALL RIGHTS RESERVED.

LOC	DIST	REVISIONS			29NOV01	RH	
FT	0	P	LTR	DESCRIPTION	DATE	DWN	APVD
		D		REVISED PER ECO-12-015665	26SEP12	KH	MZ



VIEW X-X  
 TYPICAL  
 SCALE 10:1

- $\Delta_1$  CAVITY IDENTIFICATION CHARACTERS ON FRONT AND REAR FACE.
- $\Delta_2$  .000030 MIN GOLD FOR A LENGTH OF .250 MIN FROM MATING END OVER .000050 MIN NICKEL.
- $\Delta_3$  .000100 MIN TIN-LEAD OVER .000050 MIN NICKEL ON THIS END.
- $\Delta_4$  .000100 MIN TIN OVER .000050 MIN NICKEL ON THIS END.



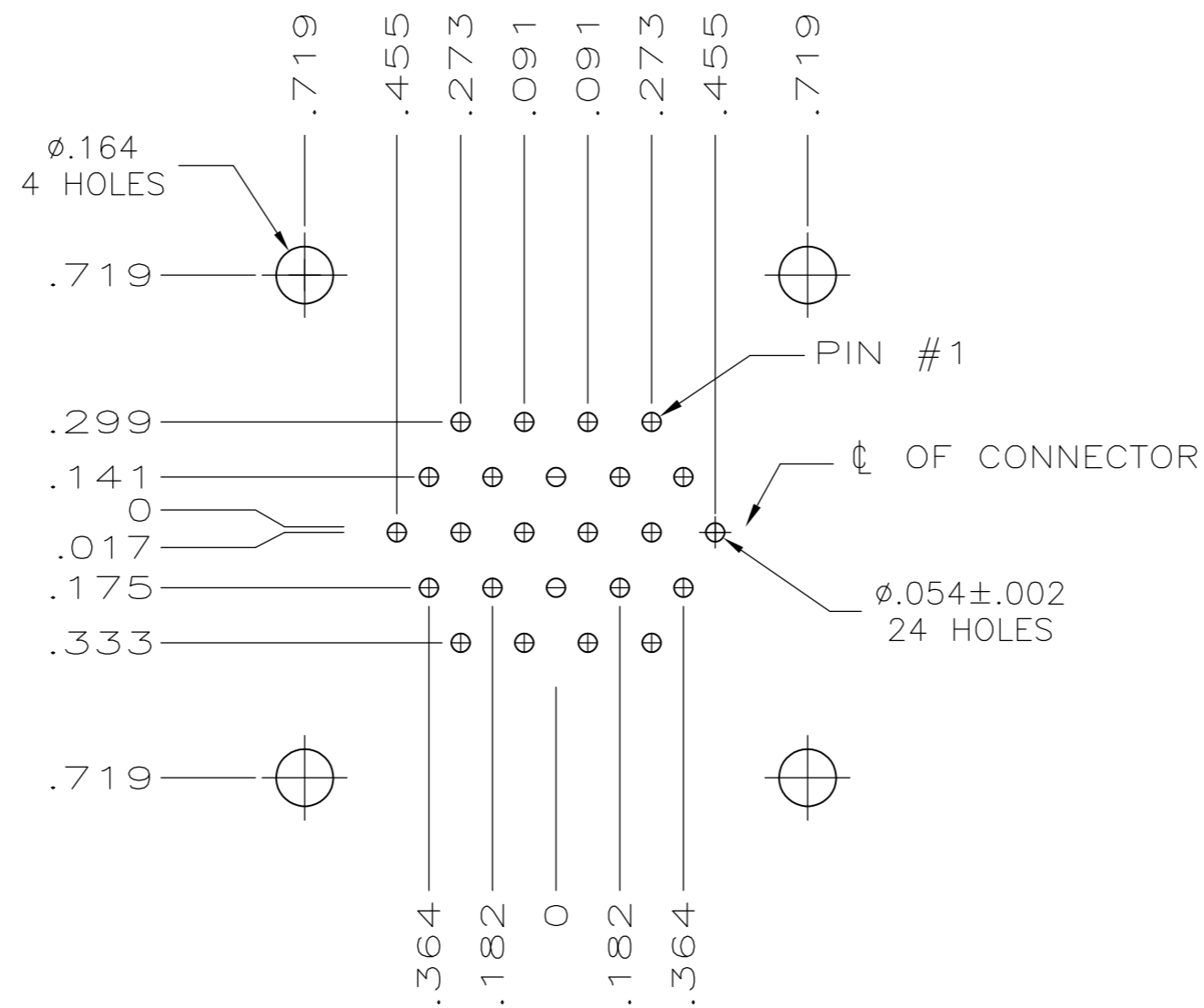
RECOMMENDED PANEL CUTOUT

$\Delta_4$	.618	213798-3
$\Delta_3$	.244	213798-2
$\Delta_3$	.618	213798-1
POST FINISH	DIM L	PART NUMBER

THIS DRAWING IS A CONTROLLED DOCUMENT.		DWN	06-30-94	<b>STE</b> TE Connectivity																												
		CHK	07-06-94																													
DIMENSIONS: INCHES		TOLERANCES UNLESS OTHERWISE SPECIFIED:		NAME																												
<table border="1"> <tr><td>0 PLC</td><td>±</td><td>-</td></tr> <tr><td>1 PLC</td><td>±</td><td>-</td></tr> <tr><td>2 PLC</td><td>±</td><td>.005</td></tr> <tr><td>3 PLC</td><td>±</td><td>-</td></tr> <tr><td>4 PLC</td><td>±</td><td>-</td></tr> <tr><td>ANGLES</td><td>±</td><td>-</td></tr> <tr><td>FINISH</td><td></td><td></td></tr> </table>		0 PLC	±	-	1 PLC	±	-	2 PLC	±	.005	3 PLC	±	-	4 PLC	±	-	ANGLES	±	-	FINISH			<table border="1"> <tr><td>PRODUCT SPEC</td><td>108-10024</td></tr> <tr><td>APPLICATION SPEC</td><td></td></tr> <tr><td>WEIGHT</td><td></td></tr> </table>		PRODUCT SPEC	108-10024	APPLICATION SPEC		WEIGHT		RECEPTACLE ASSEMBLY, 23-24, STANDARD SEX, POSTED CONTACTS, CPC	
0 PLC	±	-																														
1 PLC	±	-																														
2 PLC	±	.005																														
3 PLC	±	-																														
4 PLC	±	-																														
ANGLES	±	-																														
FINISH																																
PRODUCT SPEC	108-10024																															
APPLICATION SPEC																																
WEIGHT																																
MATERIAL: PIN: BRASS; RECEPTACLE: NYLON, BLACK		WEIGHT: -		SIZE: A2	CAGE CODE: 00779																											
CUSTOMER DRAWING		SCALE: 2:1		DRAWING NO: C=213798	RESTRICTED TO: -																											
		SHEET: 1 of 2		REV: D																												

THIS DRAWING IS UNPUBLISHED. RELEASED FOR PUBLICATION  
 © COPYRIGHT - By - ALL RIGHTS RESERVED.

LOC	DIST	REVISIONS					
FT	0	P	LTR	DESCRIPTION	DATE	DWN	APVD
		-	-	SEE SHEET 1	-	-	-



RECOMMENDED P.C. BOARD LAYOUT

THIS DRAWING IS A CONTROLLED DOCUMENT.		DWN D.BROCKWAY 06-30-94		
DIMENSIONS: INCHES		CHK R.STONE 07-06-94		
		APVD -		NAME
TOLERANCES UNLESS OTHERWISE SPECIFIED: 0 PLC ± - 1 PLC ± - 2 PLC ± .005 3 PLC ± - 4 PLC ± - ANGLES ± -		PRODUCT SPEC 108-10024		RECEPTACLE ASSEMBLY, 23-24, STANDARD SEX, POSTED CONTACTS, CPC
MATERIAL PIN: BRASS RECEPTACLE: NYLON, BLACK		FINISH -		APPLICATION SPEC -
		WEIGHT -		SIZE A2
		CUSTOMER DRAWING		CAGE CODE 00779
				DRAWING NO C-213798
				RESTRICTED TO -
				SCALE 2:1
				SHEET 2 OF 2
				REV D