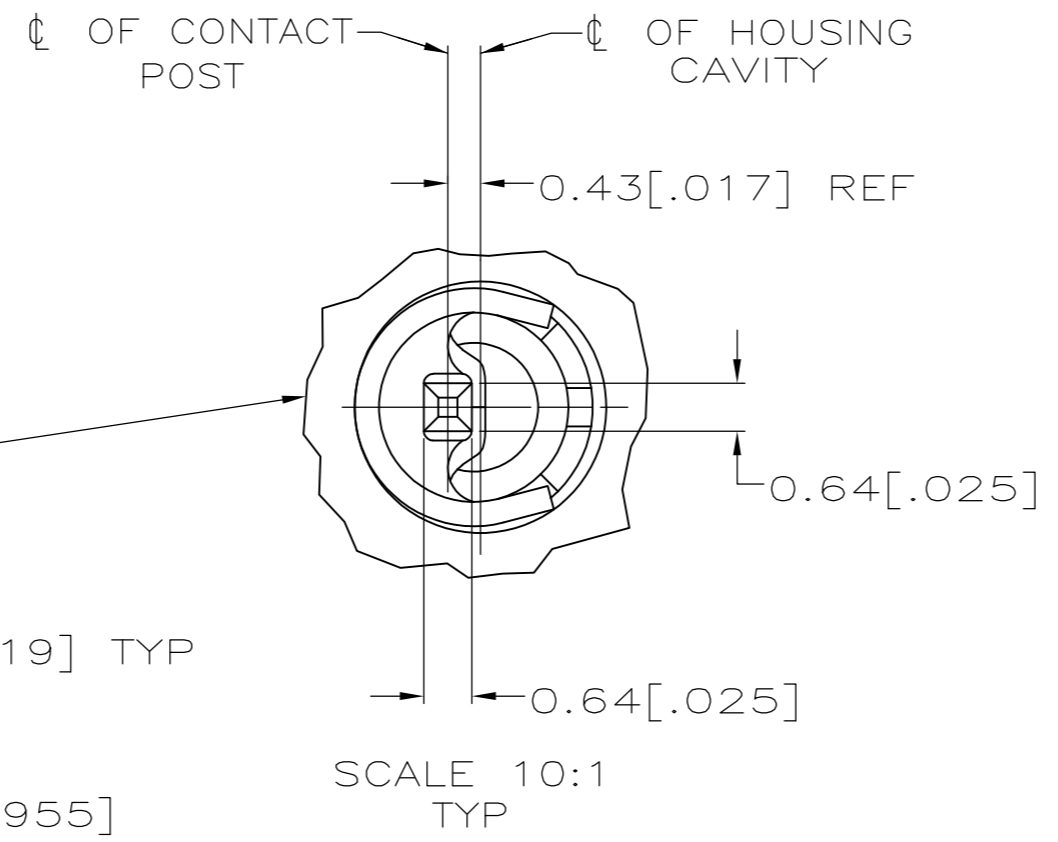
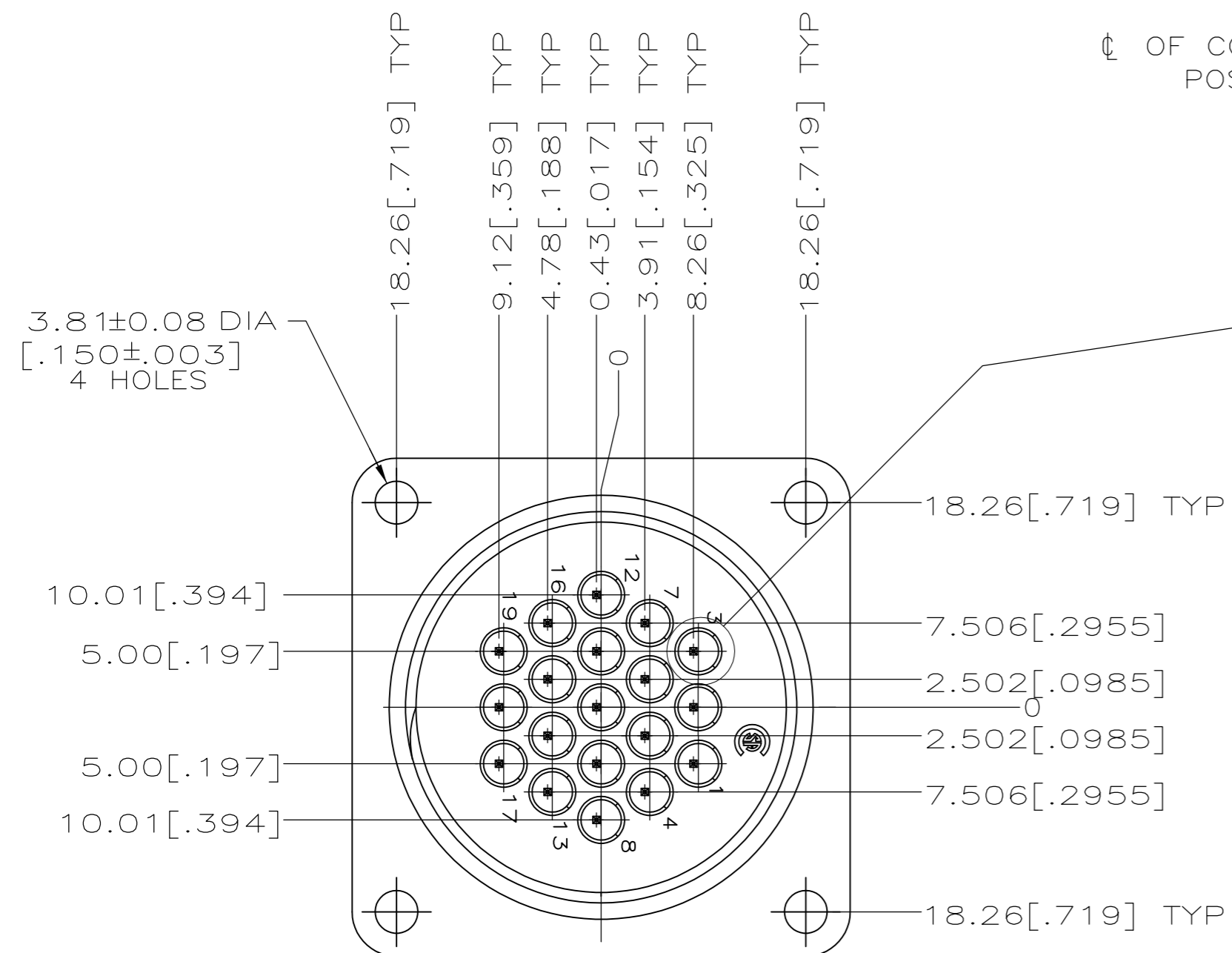
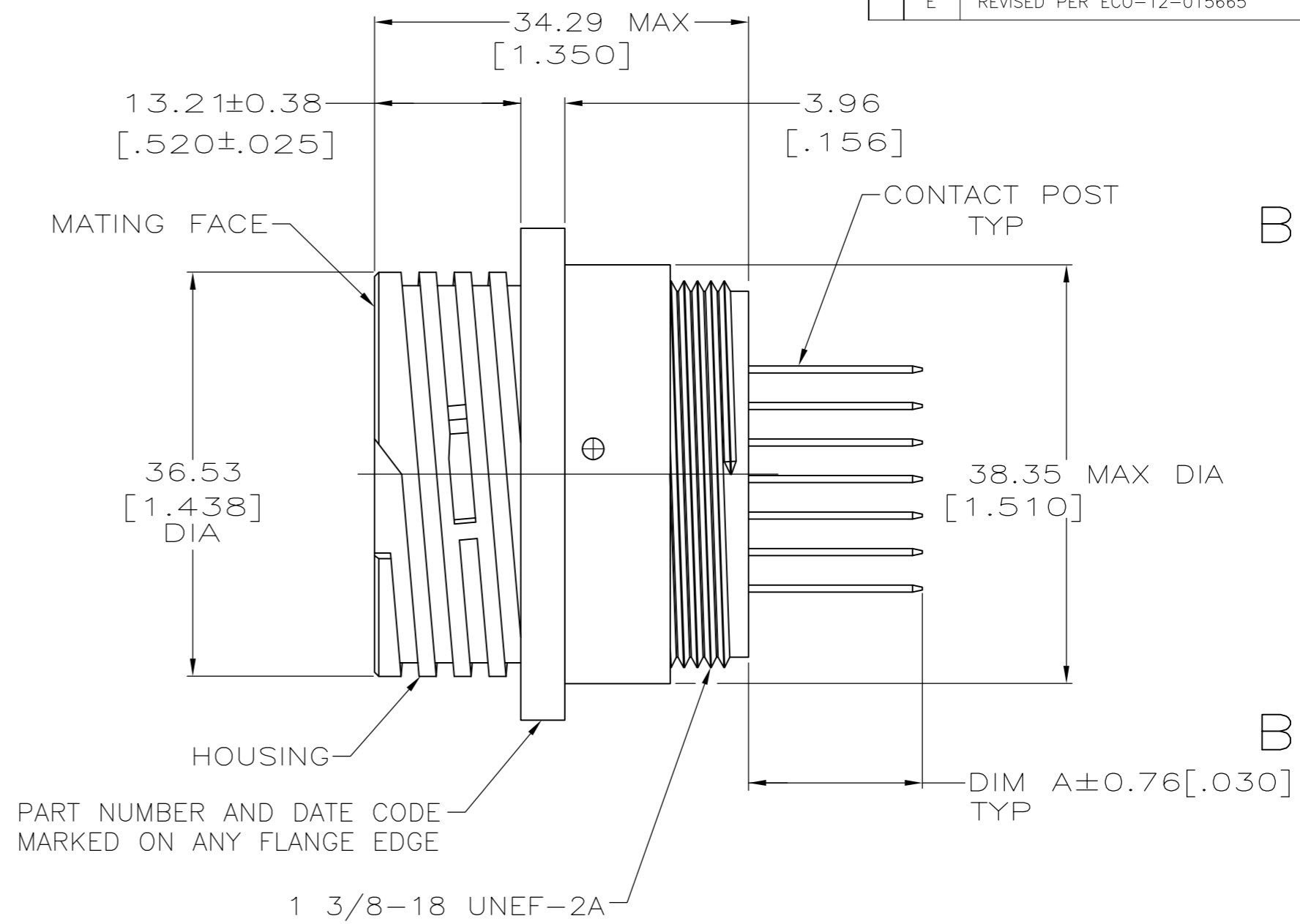
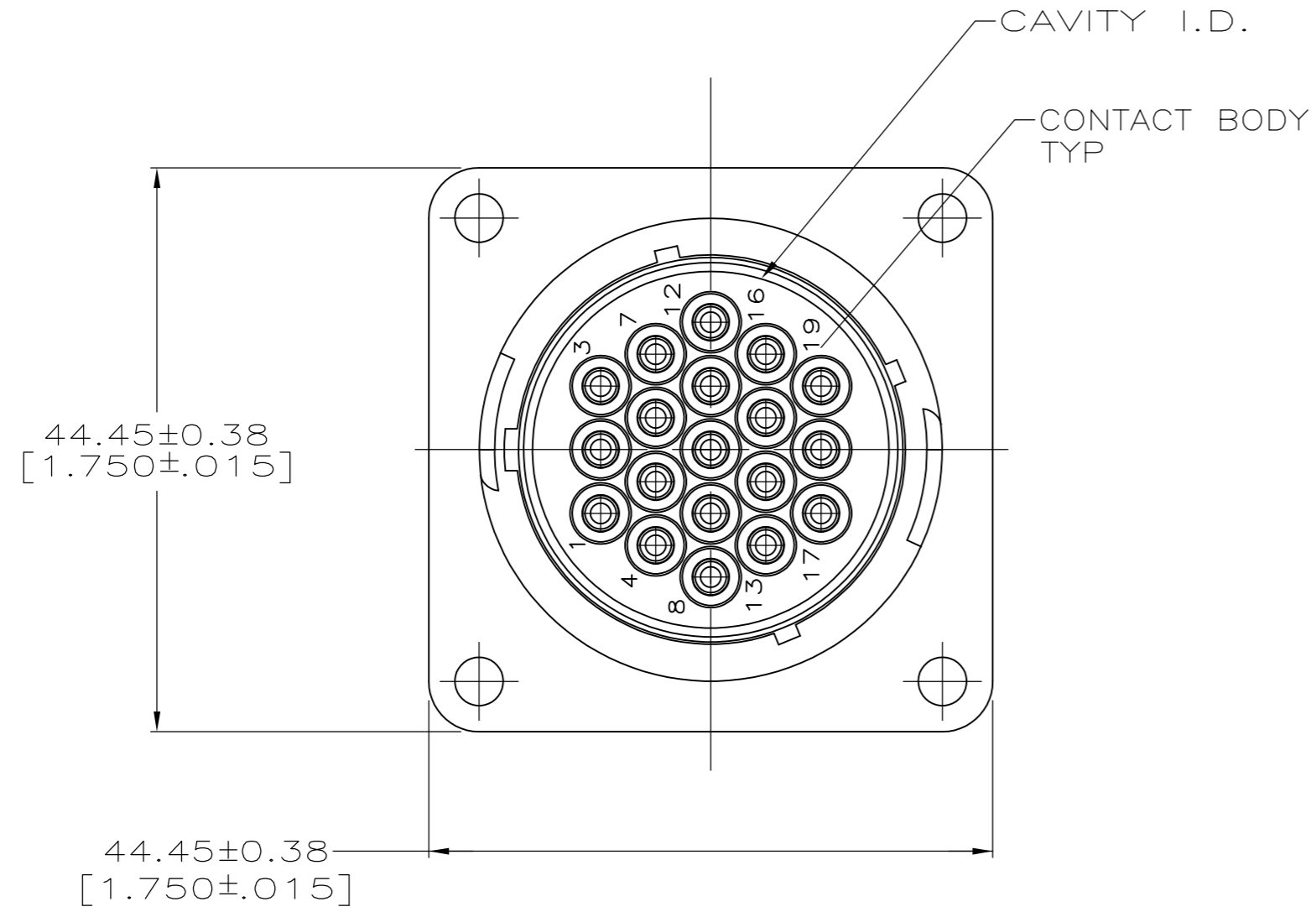


THIS DRAWING IS UNPUBLISHED. RELEASED FOR PUBLICATION
 © COPYRIGHT - By - ALL RIGHTS RESERVED.

LOC		DIST		REVISIONS			
P	LTR	DESCRIPTION	DATE	DWN	APVD		
FT	0						
		E	REVISED PER ECO-12-015665	26SEP12	KH	MZ	



VIEW B-B

PRELIMINARY	DIM A	CONTACT FINISH	PART NUMBER
	6.10 [.240]	△6	213859-4
	6.20 [.244]	△4	213859-3
	15.70 [.618]	△6	213859-2
	15.70 [.618]	△4	213859-1

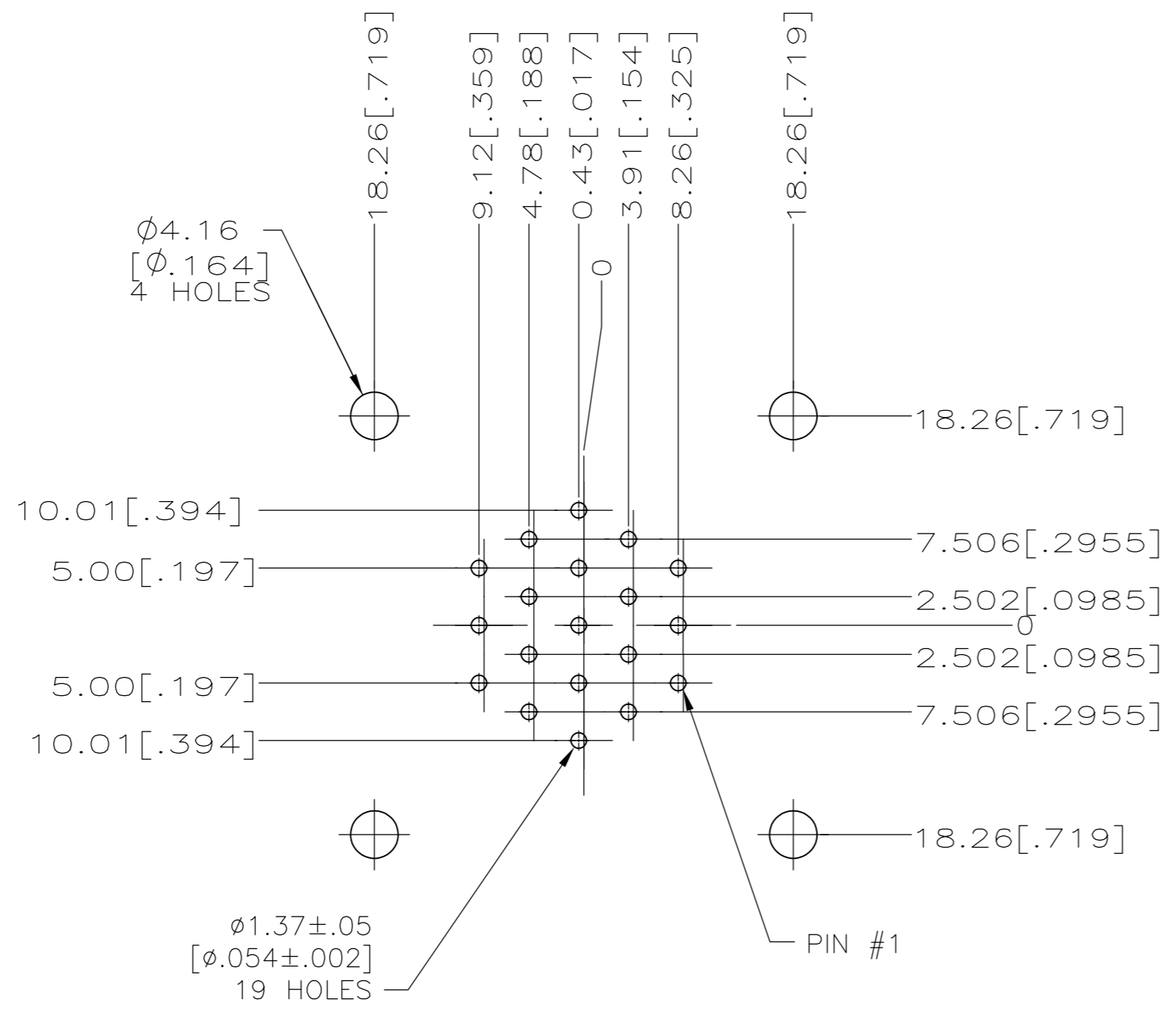
THIS DRAWING IS A CONTROLLED DOCUMENT.

DIMENSIONS: mm [INCHES]	TOLERANCES UNLESS OTHERWISE SPECIFIED: 0 PLC ± - 1 PLC ± - 2 PLC ± 0.25 [.010] 3 PLC ± 0.127 [.0050] 4 PLC ± - ANGLES ± -	FINISH CONTACT: SEE TABLE	DWN D.HARDY 01-06-95 CHK R.STONE 01-09-95 APVD - PRODUCT SPEC 108-10024 APPLICATION SPEC 114-10038 WEIGHT -	NAME TE Connectivity RECEPTACLE ASSEMBLY, POSTED, STANDARD SEX, 23-19, CPC	SIZE A2 CAGE CODE 00779 DRAWING NO C=213859 RESTRICTED TO -
----------------------------	---------------------------------------------------------------------------------------------------------------------------------------------	------------------------------	----------------------------------------------------------------------------------------------------------------------------------------------	-------------------------------------------------------------------------------------	----------------------------------------------------------------------------------

CUSTOMER DRAWING SCALE 2:1 SHEET 1 OF 2 REV E

THIS DRAWING IS UNPUBLISHED. RELEASED FOR PUBLICATION
 © COPYRIGHT - By - ALL RIGHTS RESERVED.

LOC		DIST		REVISIONS			
P	LTR	DESCRIPTION	DATE	DWN	APVD		
FT	0	SEE SHEET 1	-	-	-		



- 1 NYLON, UL94V-0 RATED, BLACK.
- 2 STAINLESS STEEL.
- 3 BRASS
- 4 CONTACT BODY: 0.76um[.000030] MIN GOLD FOR A LENGTH OF 5.08[.200] MIN FROM MATING END. GOLD FLASH ON REMAINDER, BOTH OVER 1.27um[.000050] MIN NICKEL. CONTACT POST: 2.54um[.000100] MIN TIN-LEAD OVER 1.27um[.000050] MIN NICKEL.
- 5 RECOMMENDED PC BOARD HOLE SIZE FOR CONTACT POST = 0.89±0.08[.035±.003] DIA.
- 6 CONTACT BODY: 0.76um [.000030] MIN GOLD FOR A LENGTH OF 5.08 [.200] MIN FROM MATING END. GOLD FLASH ON REMAINDER, BOTH OVER 1.27um[.000050] MIN NICKEL. CONTACT POST: 2.54um[.000100] MIN TIN OVER 1.27um[.000050] MIN NICKEL.

RECOMMENDED P.C. BOARD LAYOUT

THIS DRAWING IS A CONTROLLED DOCUMENT.		DWN D.HARDY 01-06-95														
DIMENSIONS: mm [INCHES]		CHK R.STONE 01-09-95														
TOLERANCES UNLESS OTHERWISE SPECIFIED:		APVD -	NAME RECEPTACLE ASSEMBLY, POSTED, STANDARD SEX, 23-19, CPC													
<table border="0"> <tr><td>0 PLC</td><td>± -</td></tr> <tr><td>1 PLC</td><td>± -</td></tr> <tr><td>2 PLC</td><td>± 0.25 [.010]</td></tr> <tr><td>3 PLC</td><td>± 0.127 [.0050]</td></tr> <tr><td>4 PLC</td><td>± -</td></tr> <tr><td>ANGLES</td><td>± -</td></tr> </table>		0 PLC	± -	1 PLC	± -	2 PLC	± 0.25 [.010]	3 PLC	± 0.127 [.0050]	4 PLC	± -	ANGLES	± -	PRODUCT SPEC 108-10024	SIZE A2	
0 PLC	± -															
1 PLC	± -															
2 PLC	± 0.25 [.010]															
3 PLC	± 0.127 [.0050]															
4 PLC	± -															
ANGLES	± -															
MATERIAL: HOUSING: △ CONTACT SPRING: △ CONTACT BODY & POST: △		APPLICATION SPEC 114-10038	CAGE CODE 00779	DRAWING NO C=213859												
FINISH CONTACT: SEE TABLE		WEIGHT -	SCALE 2:1	SHEET 2 OF 2												
CUSTOMER DRAWING		RESTRICTED TO -														