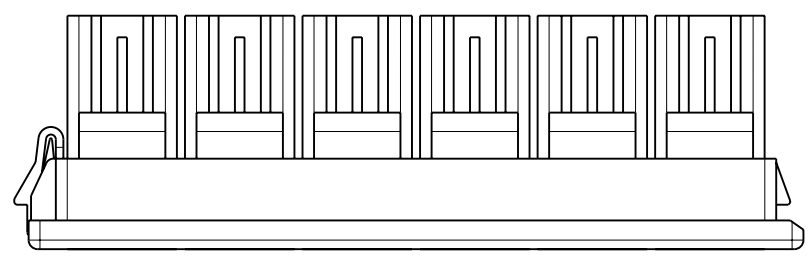
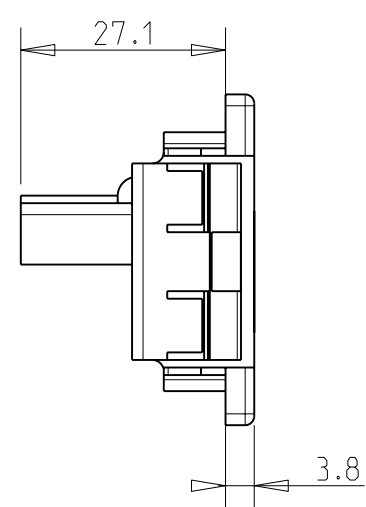
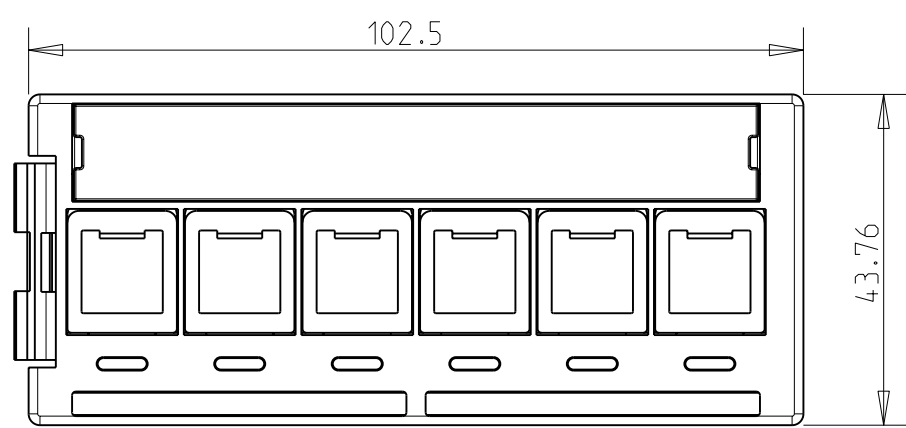
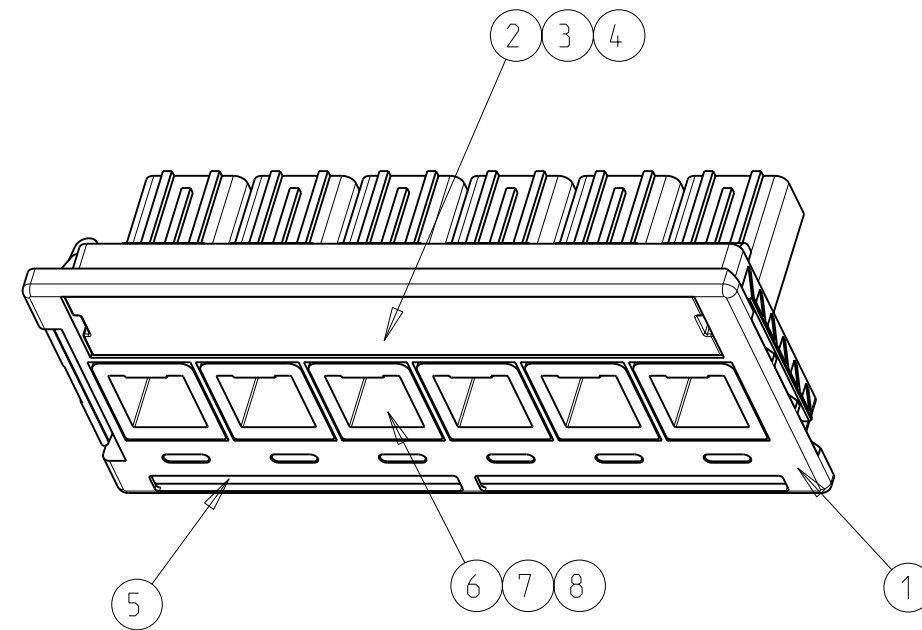


THIS DRAWING IS UNPUBLISHED. RELEASED FOR PUBLICATION 20  
 © COPYRIGHT 20 BY TYCO ELECTRONICS CORPORATION. ALL RIGHTS RESERVED.

LOC	DIST	REVISIONS			
P	LTR	DESCRIPTION	DATE	DWN	APVD
IV	00	B	PRODUCTION DRAWING ADDED / NOTES ADDED	20NOV2008	HB DT
		B1	ECR-09-014986 Correct PN REV	02JUL2009	HB DT
		C	ECR-10-006362	30MAR2010	HB DT

1. LABELS AND LABEL COVERS SHIPPED LOOSE.



6	-	-	-	SL MT-RJ Jack housing, OM3	8
-	6	-	-	SL MT-RJ Jack housing, OM2	7
-	-	6	-	SL MT-RJ Jack housing, OS1	6
1	1	1	-	Port ID label	5
1	1	1	-	Black label cover	4
1	1	1	-	Clear label cover	3
1	1	1	-	Interface housing label sheet	2
1	1	1	-	Interface housing UTP	1
-3	-2	-1			
QUANTITY			PART NUMBER	DESCRIPTION	ITEM

<small>THIS DRAWING IS A CONTROLLED DOCUMENT FOR TYCO ELECTRONICS CORPORATION          IT IS SUBJECT TO CHANGE AND THE CONTROLLING ENGINEERING ORGANIZATION          SHOULD BE CONTACTED FOR THE LATEST REVISION.</small>		DWN H.BLEUS 09OCT2008 CHK H.BLEUS 09OCT2008 APVD D.THUIS 09OCT2008 PRODUCT SPEC - APPLICATION SPEC - WEIGHT -	Tyco Electronics Kessel-Lo, Belgium	NAME MT-RJ SNAP-IN MODULE SIZE A3 CAGE CODE 00779 DRAWING NO C-1671197 RESTRICTED TO -
DIMENSIONS: mm 	TOLERANCES UNLESS OTHERWISE SPECIFIED: 0 PLC ± 1 PLC ± 2 PLC ± 3 PLC ± 4 PLC ± ANGLES ±	MATERIAL - FINISH -	SCALE 1.000 SHEET 1 OF 1 REV C	CUSTOMER DRAWING