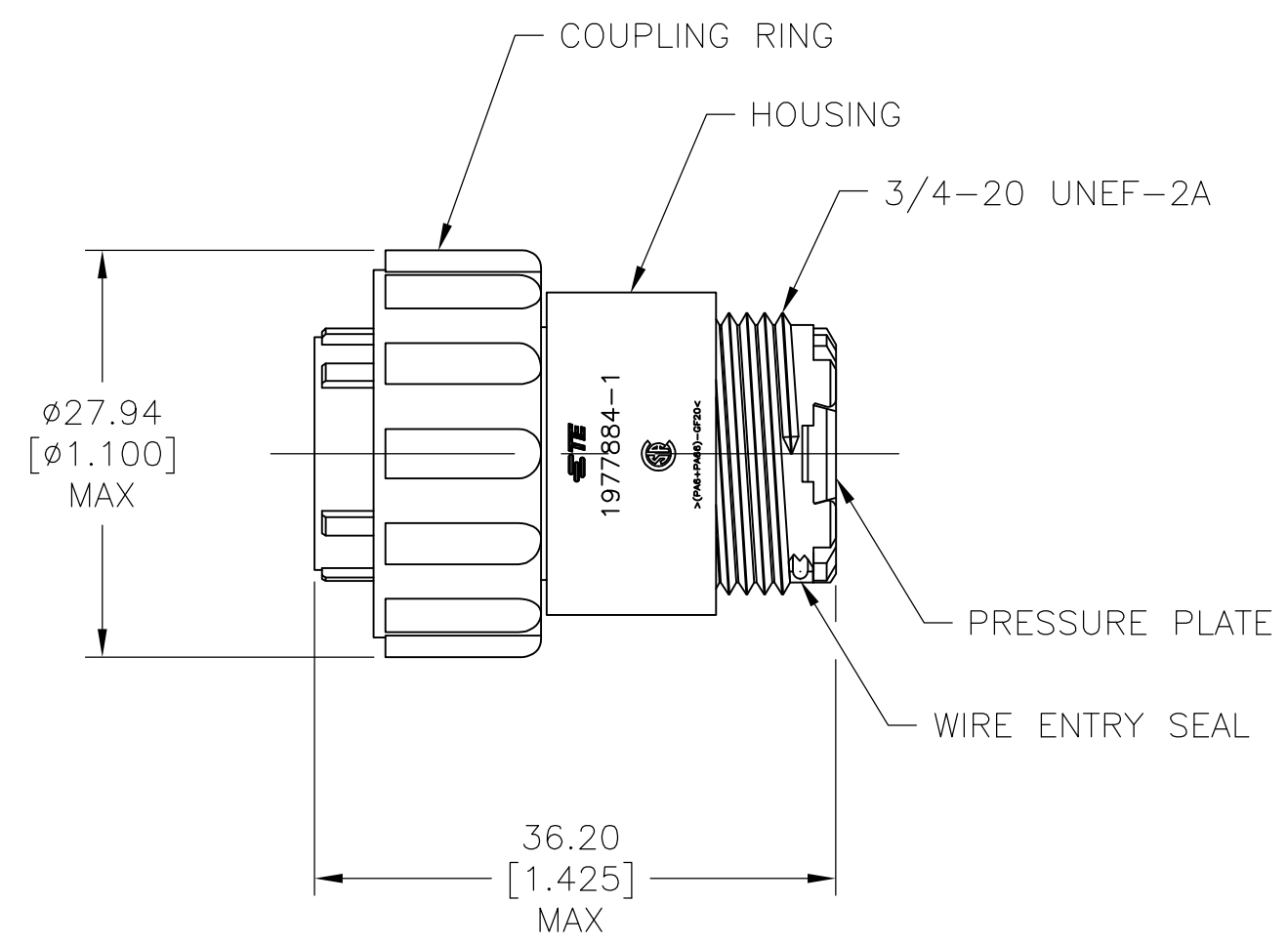
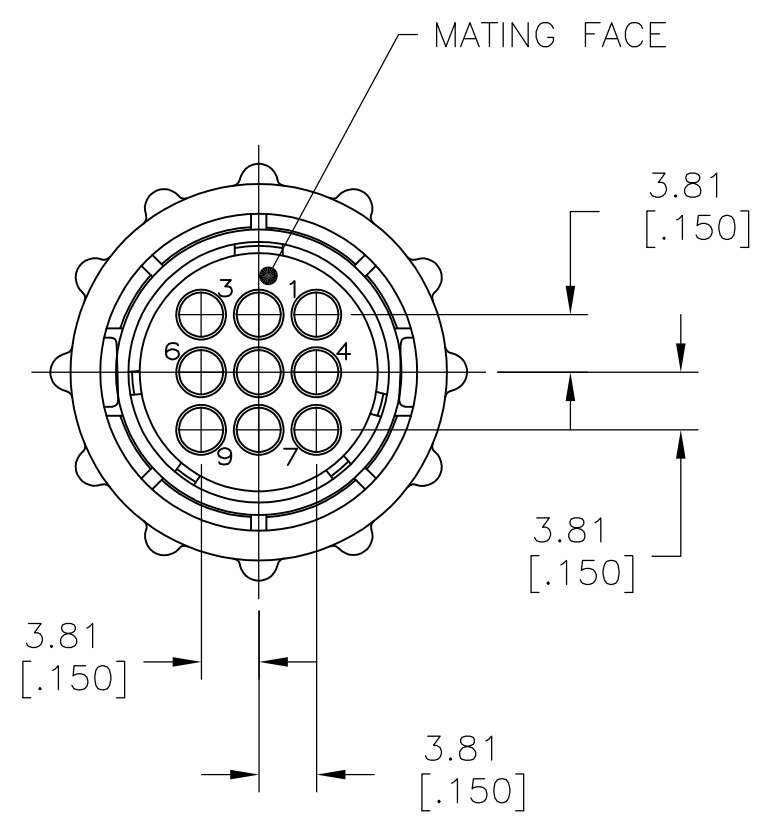


THIS DRAWING IS UNPUBLISHED. RELEASED FOR PUBLICATION  
 © COPYRIGHT - By - ALL RIGHTS RESERVED.

LOC	DIST	REVISIONS					
FT	0	P	LTR	DESCRIPTION	DATE	DWN	APVD
		A		NEW DRAWING PER ECO-12-018480	08NOV12	KH	MZ

- 1 THIS PART WILL ACCEPT NINE (9) MULTIMATE SOCKET CONTACTS.
- 2 COUPLING RING, HOUSING, AND PRESSURE PLATE: NYLON, BLACK.  
WIRE ENTRY SEAL: ELASTOMER, RED-IRON OXIDE.



.065-.120	STANDARD	1977884-1
DIAMETER RANGE	INSULATION	PART NUMBER

THIS DRAWING IS A CONTROLLED DOCUMENT.		DWN KIRAN HOLAL 08NOV12	<b>STE</b> TE Connectivity	
DIMENSIONS: mm [INCHES]		CHK M ZITTO 08NOV12		
TOLERANCES UNLESS OTHERWISE SPECIFIED:		APVD M ZITTO 08NOV12	NAME CPC PLUG ASSEMBLY, SERIES 1, SEALED, 13-9, STANDARD SEX, UV RESISTANT	
0 PLC ± -		PRODUCT SPEC	-	
1 PLC ± -		APPLICATION SPEC	-	
2 PLC ± 0.13 [.005]		WEIGHT	-	
3 PLC ± -		SIZE	CAGE CODE	DRAWING NO
4 PLC ± -		A3 00779		C-1977884
ANGLES ± -		RESTRICTED TO		
FINISH		-		
MATERIAL		CUSTOMER DRAWING		
2		SCALE	SHEET	REV
		2:1	1 OF 1	A