

1) Potentiometer



Basic features

| | |
|---------------------|------------------------|
| Approval/Conformity | CE WEEE |
| Basic standard | EN 61204 |
| Series | Heartbeat |
| Short description | Switching power supply |
| Version | DIN rail |

Electrical connection

| | |
|---------------------------------|--|
| Connection (supply voltage IN) | Terminal strip |
| Connection (supply voltage OUT) | Terminal strip |
| Connection alarm | Opto-relay with "Common" contact |
| Interconnected operation type | Parallel wiring: not possible Series wiring: max. 2 devices |
| Polarity reversal protected | yes |
| Short-circuit protection | continuous short circuit protection |

Electrical data

| | |
|---------------------------------|--|
| Current alarm max. | 150 mA |
| Derating | -3.5 %/°C +60 °C |
| Efficiency typ. | 92 % |
| Hold-up time | ≥ 25 ms at 115 V AC ≥ 35 ms at 230 V AC |
| Idle running losses | 2.2 W at 115 V/230 V |
| Input fuse | T 6.3 A internal |
| Input voltage | 115/230 V AC automatic selection |
| Input voltage | 90...132 V AC 198...264 V AC |
| Input/output insulation voltage | 3000 V AC |
| Inrush current | ≤ 15 A at 115 V AC ≤ 20 A at 230 V AC |
| Isolation resistance | ≥ 100 MOhm |
| Load control | ±0.5 % |
| Output current max. | 7.5 A for max. 4s 1x/min. |
| Output power max. | 120 W |
| Output rating | 120 W |
| Output voltage | 24 VDC |

Switching Power Supplies
BAE PS-XA-1S-24-050-102
Order Code: BAE00T4

BALLUFF

| | |
|-----------------------------------|--|
| Output voltage, tolerance | ±1 % |
| Power boost | 150 % |
| Power boost, duration max. | 4 s |
| Protection class | I |
| Rated input current | 1.4 A at 230 V AC 2.3 A at 115 V AC |
| Rated output current | 5 A |
| Residual ripple max. | 50 mVpp/10 mVrms |
| Setting range | 22...28 V DC |
| Settling time | 2 ms |
| Switching frequency | 115000 Hz |
| Turn-on time max. | 1 s |
| Voltage alarm max. | 60 V DC/30 V AC |
| Voltage control | ±0.5 % |
| Working frequency | 47...63 Hz |

Environmental conditions

| | |
|-------------------------------------|--------------------------|
| Ambient temperature | -25...70 °C |
| Contamination scale | 2 |
| Cooling | Free convection |
| Over temperature | not protected |
| Protection degree | IP20 |
| Relative humidity | 5...95 %, non-condensing |
| Storage temperature | -25...85 °C |
| Temperature coefficient max. | ±0.03 %/K |

Functional safety

| | |
|---------------------|--------|
| MTTF (40 °C) | 87.7 a |
|---------------------|--------|

Material

| | |
|-------------------------|----------|
| Housing material | Aluminum |
|-------------------------|----------|

Mechanical data

| | |
|------------------|-------------------|
| Dimension | 38 x 127 x 120 mm |
| Mounting | DIN rail mount |
| Weight | 0.40 kg |

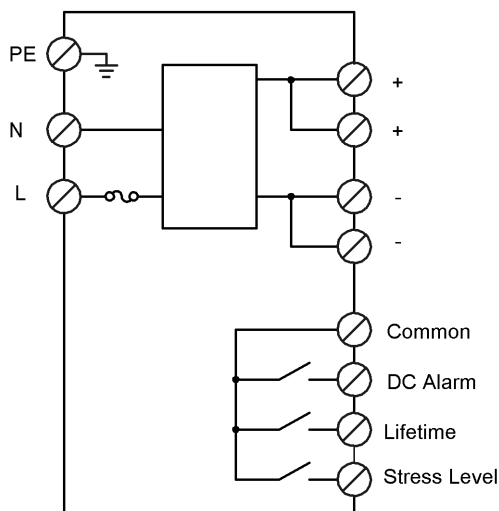
Remarks

Values measured at +25 °C and full load.

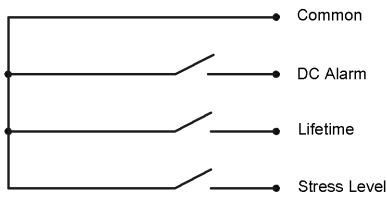
For more information about MTTF and B10d see MTTF / B10d Certificate

Indication of the MTTF- / B10d value does not represent a binding composition and/or life expectancy assurance; these are simply experiential values with no warranty implications. These declared values also do not extend the expiration period for defect claims or affect it in any way.

Wiring Diagrams

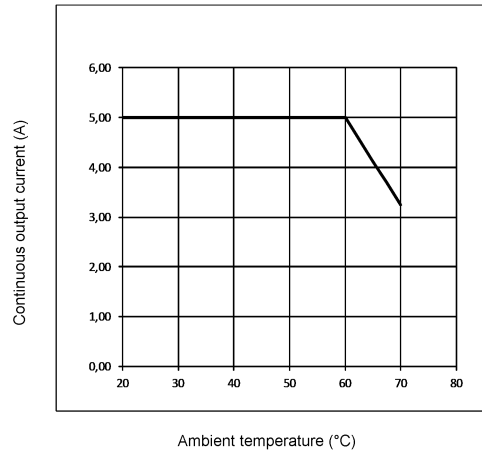


Help Views

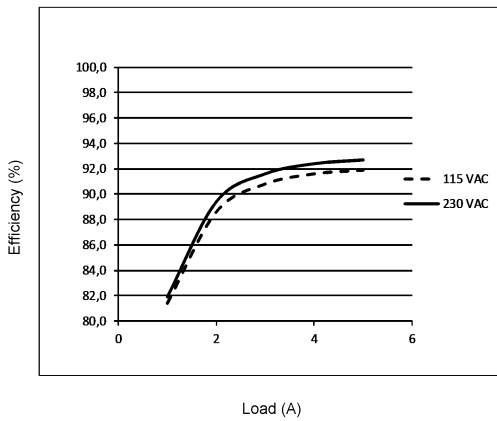


Potential-free alarm contacts

Derating curve



Efficiency 115/230 V AC



Load lines

