

1) Display and control panel



**Basic features**

<b>Approval/Conformity</b>	CE EAC WEEE
<b>Basic standard</b>	IEC 60947-5-2
<b>Principle of operation</b>	Signal amplifier
<b>Series</b>	SA-OH
<b>Style</b>	Square Straight connection

**Display/Operation**

<b>Adjuster</b>	Slide switch 4 positions
<b>Display</b>	Output function- LED yellow LED green: Power Error - LED green, flashing Signal strength - segment display
<b>Setting</b>	Sensitivity (Sn) Light-on/dark-on Teach Sn Read direction for segment display Segment display on/off Key disable on/off Factory setting (Reset) Alarm threshold Teach mode Aut/Fine/1-Pt/2-Pt Hysteresis (4 levels) Integration time 4...128 ms Upper and lower threshold Delay time

**Electrical connection**

Cable diameter D	3.70 mm
Cable length L	2 m
Conductor cross-section	0.14 mm <sup>2</sup>
Connection	Cable, 2.00 m, PVC
Contact, surface protection	Gold plated
Number of conductors	5
Polarity reversal protected	yes
Short-circuit protection	yes

**Electrical data**

Input function	Teach Sn
No-load current I <sub>o max.</sub> at U <sub>e</sub>	45 mA
Operating voltage U <sub>b</sub>	10...30 VDC
Rated operating current I <sub>e</sub>	200 mA
Rated operating voltage U <sub>e DC</sub>	24 V
Switching frequency	500 Hz
Turn-off delay t <sub>off max.</sub>	1 ms
Turn-on delay t <sub>on max.</sub>	1 ms
Voltage drop U <sub>d max.</sub> at I <sub>e</sub>	2 V

**Environmental conditions**

Ambient temperature	-10...55 °C
Protection degree	IP65

**Material**

Housing material	ABS
	PC
Material jacket	PVC

**Mechanical data**

Dimension	15 x 36 x 61 mm
Mounting	Screw M3 DIN rail 35 mm

**Optical features**

Principle of optical operation	depends on sensor head
Switching function, optical	Light/dark switching

**Output/Interface**

Duration of time function	T = 0...250 ms
Supplementary output	Error output PNP
Switch function, supplementary output	Normally open (NO)
Switching output	PNP normally open/normally closed (NO/NC)
Time function	switch-off delay Turn-on delay

**Range/Distance**

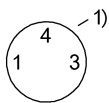
Range	depends on sensor head
-------	------------------------

**Remarks**

The sensor is functional again after the overload has been eliminated.  
 For additional information, refer to user's guide.  
 DIN rail included, order other accessories separately.

**Connector Drawings**

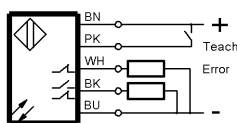
430cm4



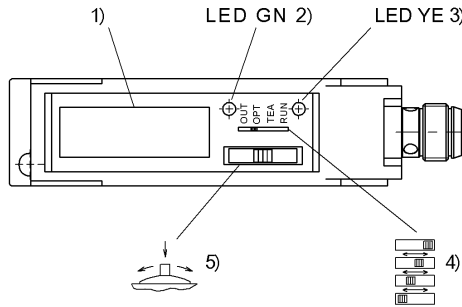
1) Sensor connection

**Wiring Diagrams**

SI 55400001.SLDGFW



## Help Views



- 1) Display
- 2) Stability
- 3) Output function
- 4) Slide switch operating modes
- 5) Jog-Switch

## Opto Symbols

