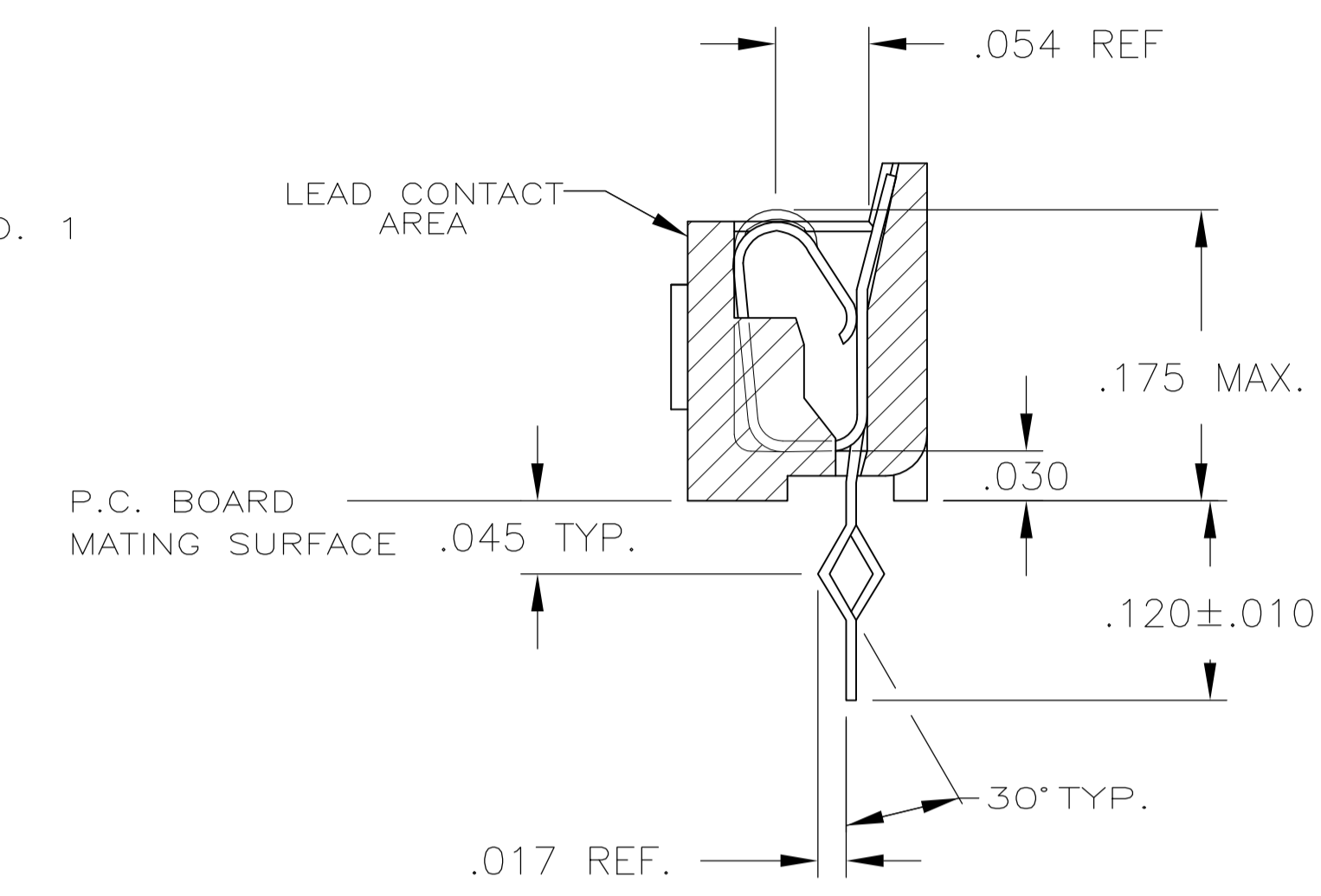
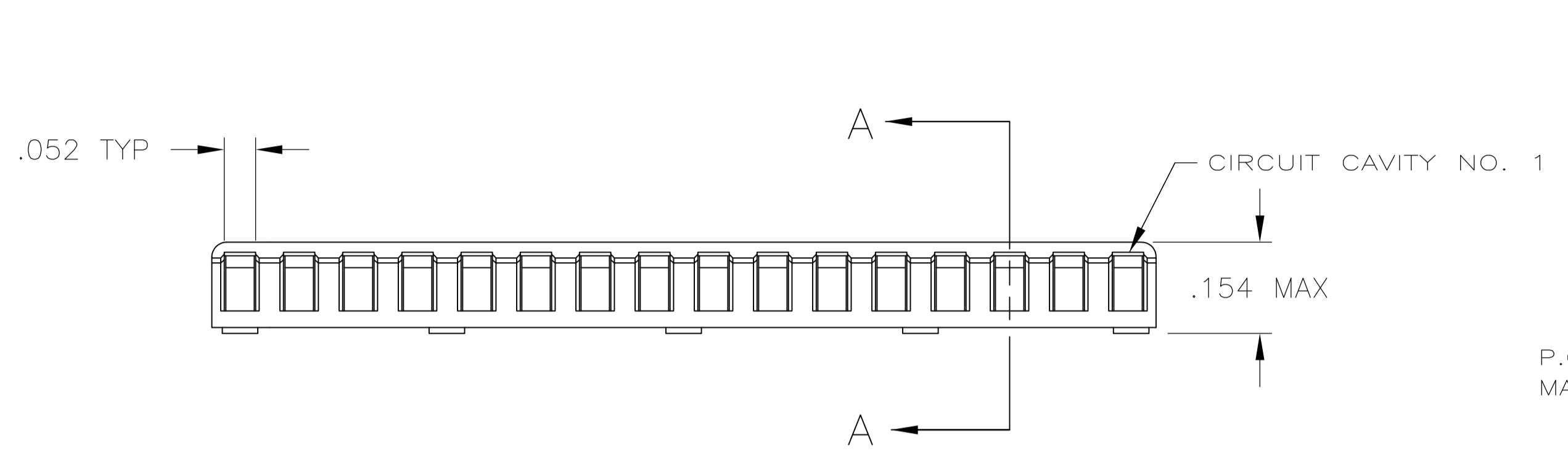
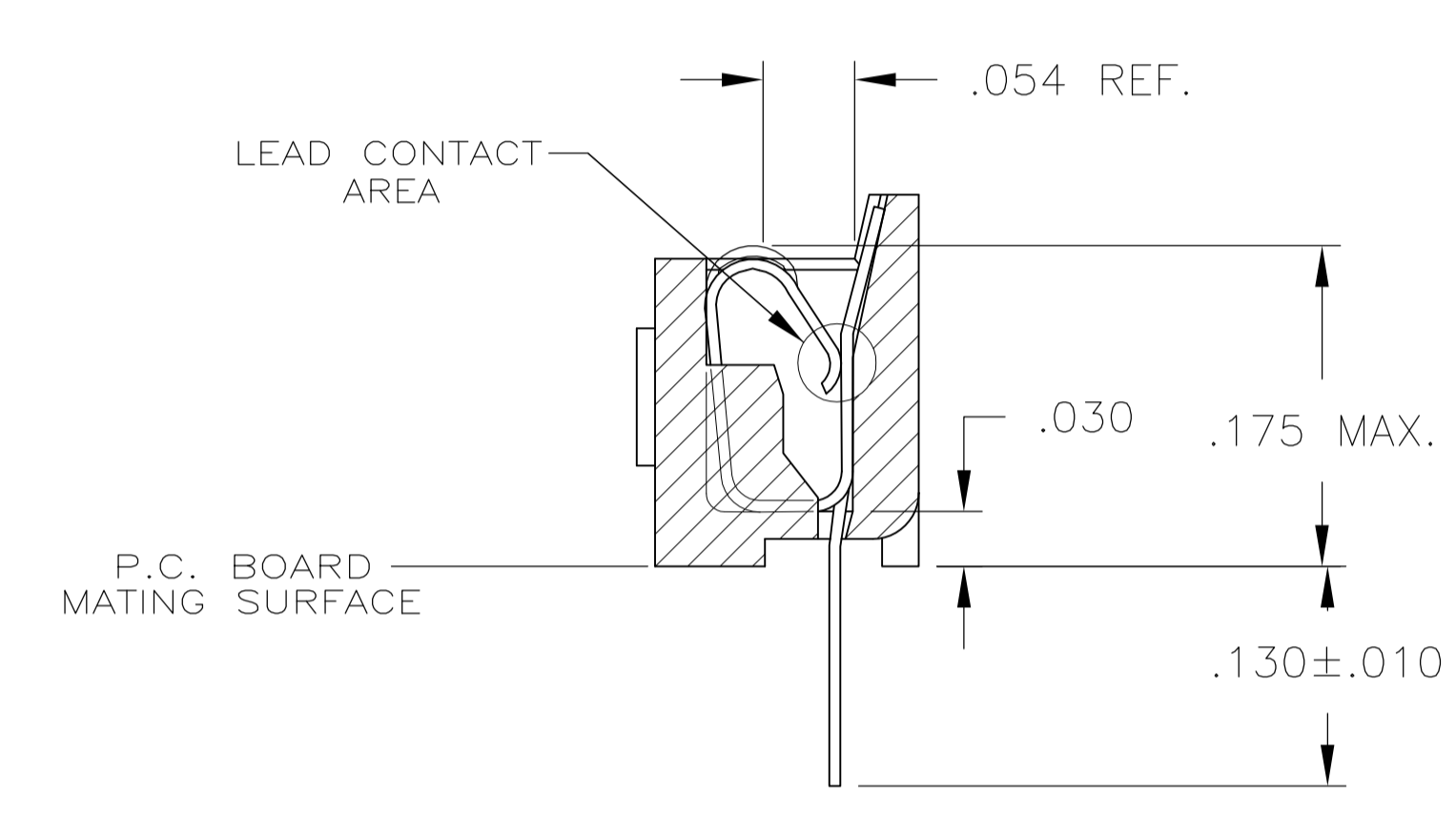


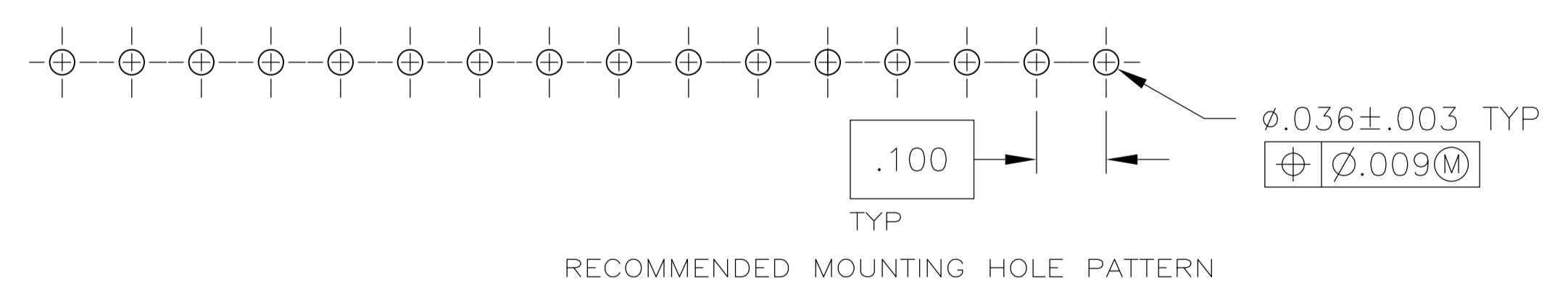
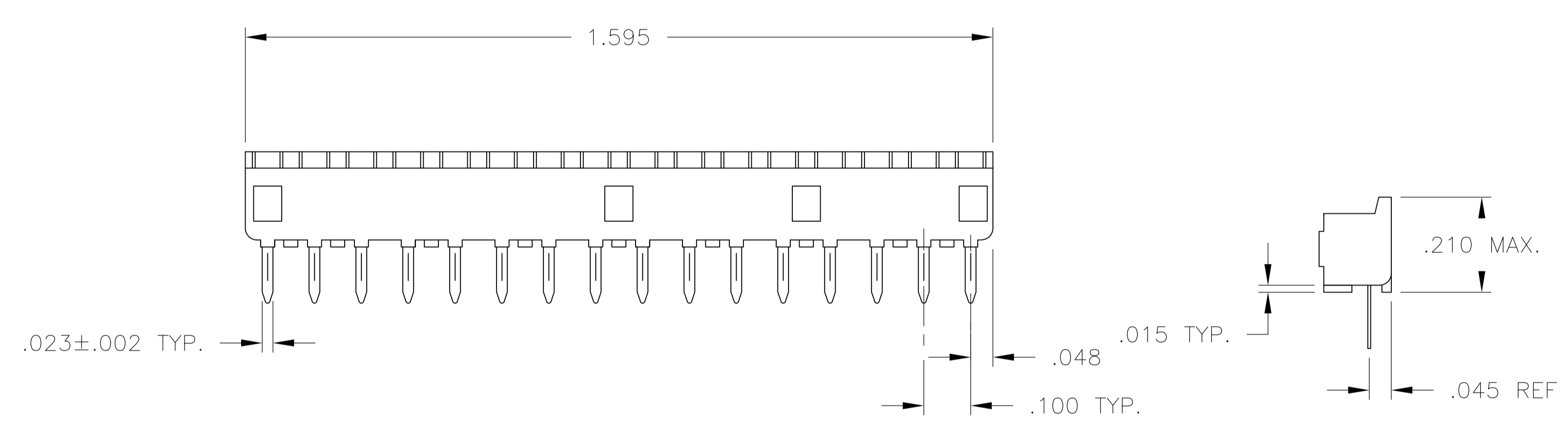
- 1 RECEPTACLE ACCEPTS AN .008-.014 THK LEAD.
- △ TWO .000030 MIN.THK.GOLD STRIPES IN CONTACT AREA, TIN-LEAD(93-7) ON CONTACT LEGS, BALANCE OF CONTACT NICKEL PLATED.
- △ TWO .000015 MIN.THK.GOLD STRIPES IN CONTACT AREA, TIN-LEAD(93-7) ON CONTACT LEGS, BALANCE OF CONTACT NICKEL PLATED.



**SECTION A-A**  
 ROTATED 90° CW  
 SCALE 10:1  
 FOR -6,-7 & -8 ONLY



**SECTION A-A**  
 ROTATED 90° CW  
 SCALE 10:1  
 FOR -1,-2 & -3 ONLY



	TINNED	PHOS.BRZ.	GLASS-FILLED THERMOPLASTIC, 94V-O, BLACK	643648-8
OBSOLETE	△	BE.CU.	GLASS-FILLED THERMOPLASTIC, 94V-O, BLACK	643648-7
OBSOLETE	TINNED	BE.CU.	GLASS-FILLED THERMOPLASTIC, 94V-O, BLACK	643648-6
SUPSD BY 643648-2	△	PHOS.BRZ.	GLASS-FILLED THERMOPLASTIC, 94V-O, BLACK	643648-4
	TINNED	PHOS.BRZ.	GLASS-FILLED THERMOPLASTIC, 94V-O, BLACK	643648-3
OBSOLETE	△	BE.CU.	GLASS-FILLED THERMOPLASTIC, 94V-O, BLACK	643648-2
	TINNED	BE.CU.	GLASS-FILLED THERMOPLASTIC, 94V-O, BLACK	643648-1
	CONTACT FINISH	CONTACT MAT'L	HOUSING MATERIAL	PART NO.

THIS DRAWING IS A CONTROLLED DOCUMENT.

DIMENSIONS: INCHES	TOLERANCES UNLESS OTHERWISE SPECIFIED:	DIN M.CYRUS 6-1-84	Tyco Electronics Corporation Harrisburg, PA 17105-3608
		7-3-84	
	0 PLC ± -	APVD J.GRAY 7-10-84	<b>SOCKET ASSY, SIP, 16 POS, DIPLOMATE DL</b>
	1 PLC ± -	NAME	
	2 PLC ± -	PRODUCT SPEC	108-1066
	3 PLC ± .005	APPLICATION SPEC	114-1049
	4 PLC ± -	SIZE	A1
	ANGLES ± -	WEIGHT	000779
MATERIAL SEE TABLE	FINISH SEE TABLE	CAGE CODE	643648
		DRAWING NO	643648
		RESTRICTED TO	
		CUSTOMER DRAWING	SCALE 5:1 SHEET 1 OF 1 REV N