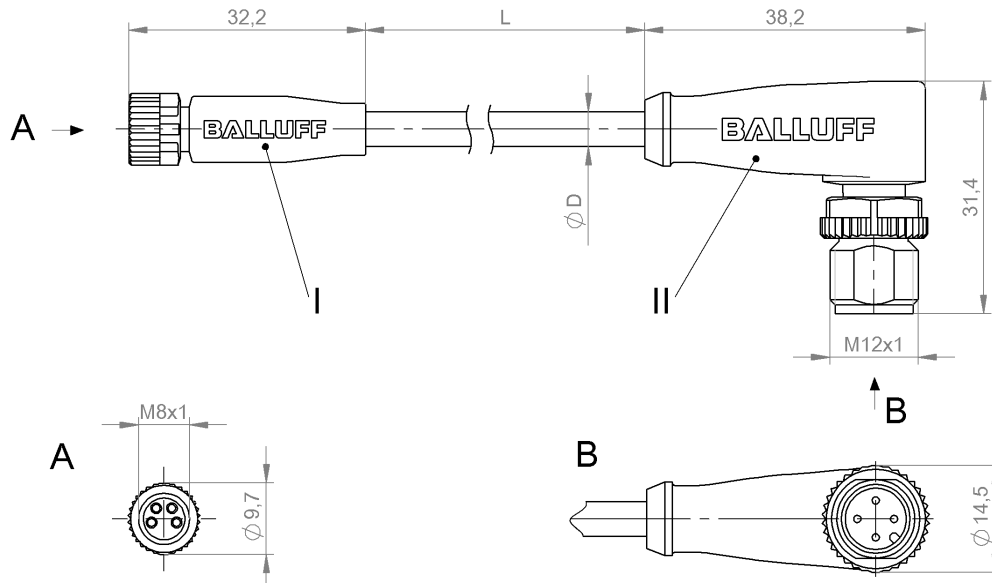


Double-Ended Cordsets  
**BCC M314-M424-3E-304-VX44T2-020**  
 Order Code: BCC0EA2

# BALLUFF



4MT5  
(CYJV CABLE ASSEMBLY)



### Basic features

Approval/Conformity	CE
	cULus
	EAC
	WEEE

### Environmental conditions

Cable temperature, drag chain	-5...60 °C
Cable temperature, fixed routing	-40...105 °C
Cable temperature, flexible routing	-5...105 °C
Protection degree	IP67, IP69K/IP67, IP68, IP69K

### Electrical connection

Bending radius min., fixed cable	5 x D
Bending radius min., flexible cable	10 x D
Cable	PVC yellow, 2 m
Cable diameter D	5.00 mm ±0.15 mm
Cable, bending cycles min.	2 million
Conductor cross-section	22 AWG
Connection 1	M8x1-Female, straight, 4-pin, A-coded
Connection 2	M12x1-Male, angled, 4-pin, A-coded
Number of conductors	4
System	Molded/Molded

### Material

Cable jacket, material	PVC
Material contact carrier	PUR/PUR
Material contacts	Bronze/Brass
Material cover nut	Die-cast zinc or nickel plated brass/Die-cast zinc
Material grip	PUR/PUR

### Electrical data

Cable rated voltage AC max.	300 V
Cable rated voltage DC max.	300 V
Operating voltage Ub	60 VDC / 60 VAC
Rated current (40 °C)	4.0 A

### Mechanical data

Cable jacket, color	Yellow
Cable length L	2.00 m
Horizontal travel permitted, drag chain	5 m
Tightening torque pigtail	0.4 Nm/0.6 Nm
Traverse speed max., drag chain	200 m/min
Vertical travel permitted, drag chain	2 m at 5 m/s <sup>2</sup>

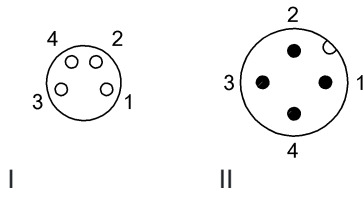
### Output/Interface

Switching output	Complementary
------------------	---------------

### Remarks

Bulk cable approval per UL-AWM Style 2661 & CSA AWM I/II A/B  
 Enclosure rating per IEC 60529 or 20653, only in screwed state with the associated mating piece.

## Connector Drawings



## Wiring Diagrams

