

Basic features

Approval/Conformity	EAC WEEE
---------------------	-------------

Display/Operation

Function indicator (Pin 4)	LED yellow/LED yellow
Power indicator	Green LED

Electrical connection

Connection 1	M12x1-Male, 4-pin, A-coded
Connection 2	M12x1-Female, 3-pin, A-coded
Connection 3	M12x1-Female, 3-pin, A-coded
Number of pins	4/3/3

Electrical data

Operating voltage U_b	30 VDC
Rated current (40 °C)	4.0 A

Remarks

Enclosure rating per IEC 60529, only in screwed state with the associated mating piece.

Environmental conditions

Ambient temperature	-25...85 °C
Protection degree	IP68

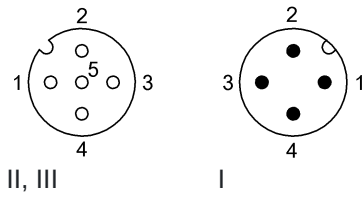
Material

Material contact carrier	PUR
Material contacts	Brass/Bronze/Bronze
Material cover nut	Die-cast zinc/Die-cast zinc/Die-cast zinc
Material grip	PUR

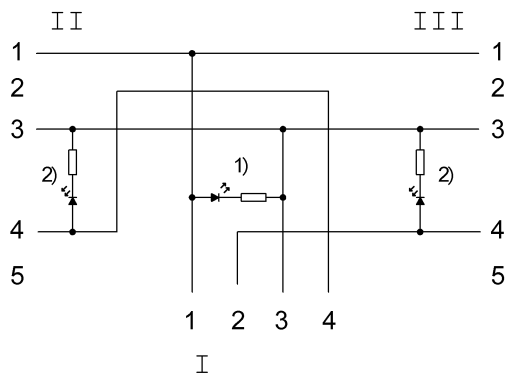
Mechanical data

Tightening torque pigtail	0.6 Nm/0.6 Nm/0.6 Nm
---------------------------	----------------------

Connector Drawings



Wiring Diagrams



- 1) Green LED = Power
- 2) Yellow LED = Function