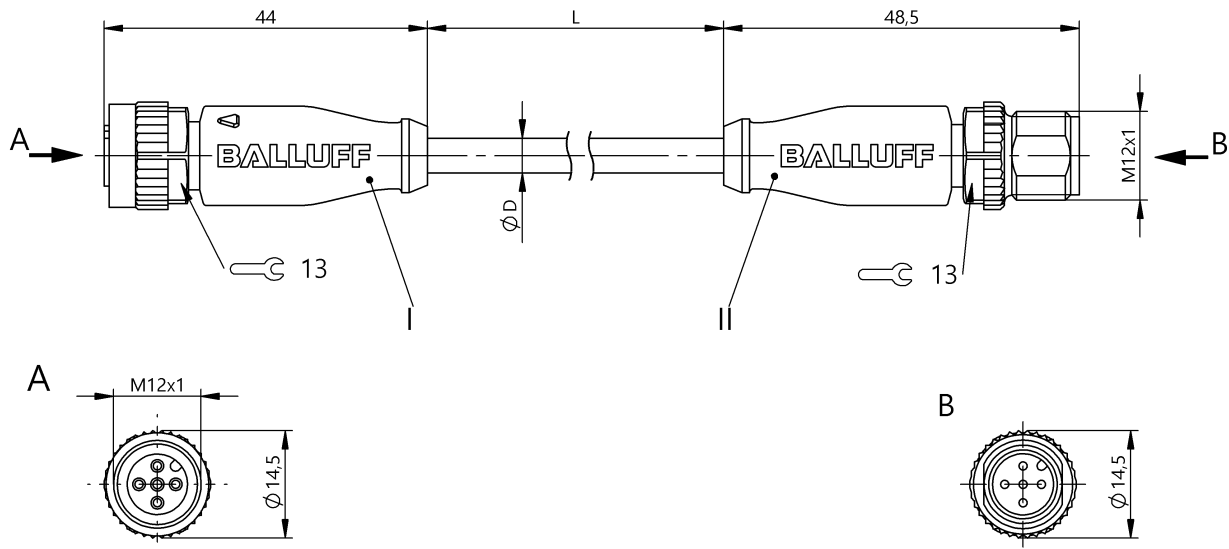


Double-Ended Cordsets
BCC M415-M415-3A-313-EX45T2-200
 Order Code: BCC0H94

BALLUFF



Basic features

Approval/Conformity	CE cULus EAC WEEE
----------------------------	----------------------------

Environmental conditions

Cable temperature, fixed routing	-50...105 °C
Cable temperature, flexible routing	-25...105 °C
Protection degree	IP67, IP68, IP69K/IP67, IP68, IP69K

Electrical connection

Bending radius min., fixed cable	5 x D
Bending radius min., flexible cable	10 x D
Cable	TPE Yellow, 20.00 m, Drag chain compatible
Cable diameter D	5.60 mm ±0.13 mm
Cable, bending cycles min.	10 million
Conductor cross-section	22 AWG
Connection 1	M12x1-Female, straight, 5-pin, A-coded
Connection 2	M12x1-Male, straight, 5-pin, A-coded
Number of conductors	5
System	Molded/Molded

Material

Cable jacket, material	TPE
Material contact carrier	PUR/PUR
Material contacts	Bronze/Brass
Material cover nut	Die-cast zinc/Die-cast zinc
Material grip	TPU/TPU

Mechanical data

Cable jacket, color	Yellow
Cable length L	20.00 m
Cable properties	Drag chain compatible
Tightening torque pigtail	0.6 Nm/0.6 Nm

Electrical data

Cable rated voltage AC max.	300 V
Cable rated voltage DC max.	300 V
Operating voltage U_b	60 VDC / 60 VAC
Rated current (40 °C)	4.0 A

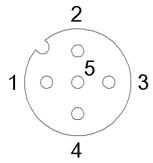
Output/Interface

Switching output	Complementary
-------------------------	---------------

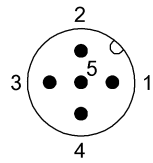
Remarks

Cable construction acc. to UL-AWM Style 20327
 Flame resistance per IEC 60332-1-2
 Enclosure rating per IEC 60529 or 20653, only in screwed state with the associated mating piece.

Connector Drawings



I
 PIN 1: brown
 PIN 2: white
 PIN 3: blue
 PIN 4: black
 PIN 5: green/yellow



II
 PIN 1: brown
 PIN 2: white
 PIN 3: blue
 PIN 4: black
 PIN 5: green/yellow

Wiring Diagrams

