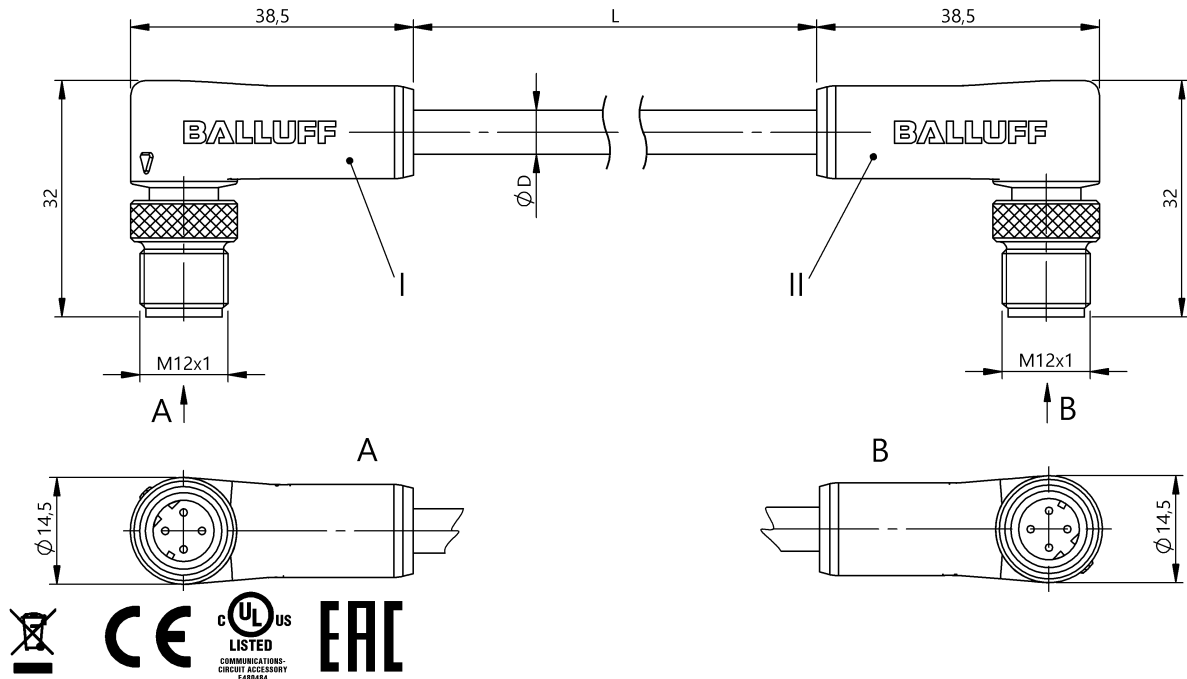


Double-Ended Cordsets
BCC M424-M424-6D-338-ES64N9-006
 Order Code: BCC0HHK

BALLUFF



Basic features

Application	Ethernet, CAT 5
Approval/Conformity	CE cULus EAC WEEE

Electrical connection

Bending radius min., flexible cable	10 x D
Cable	TPE Shielded teal, 0.6 m, Drag chain compatible
Cable diameter D	6.10 mm ±0.25 mm
Cable, bending cycles min.	10 million
Cable, note	Ethernet, CAT 5E
Conductor cross-section	24 AWG
Connection 1	M12x1-Male, right-angle, 4-pin, D-coded
Connection 2	M12x1-Male, right-angle, 4-pin, D-coded
Number of conductors	4
System	Molded/Molded

Electrical data

Cable rated voltage AC max.	600 V
Cable rated voltage DC max.	600 V
Conductor construction	2x2 twisted-pair
Conductor resistance	≤ 26.0 Ohm/1000 ft
Coupling resistance max.	100 Ohm ±15 Ohm
Operating capacitance	13.5 pF/ft
Operating voltage Ub	250 VDC / 250 VAC
Rated current (40 °C)	4.0 A
Transfer rate	10...100 Mbit/s

Environmental conditions

Cable temperature, flexible routing	-40...80 °C
Protection degree	IP67/IP67

Material

Cable jacket material, note	Shielded
Cable jacket, material	TPE
Cable shield	Aluminum foil and copper braid
Material contact carrier	PUR/PUR
Material contacts	Brass/Brass
Material cover nut	Brass nickel plated/Brass nickel plated
Material grip	PUR/PUR

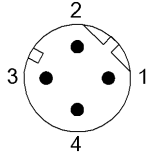
Mechanical data

Cable jacket, color	teal
Cable length L	0.60 m
Cable properties	Drag chain compatible
Tightening torque pigtail	0.6 Nm/0.6 Nm

Remarks

Cable construction acc. to UL CMX Outdoor or AWM Style 2463
Enclosure rating per IEC 60529, only in screwed state with the associated mating piece.

Connector Drawings



I, II

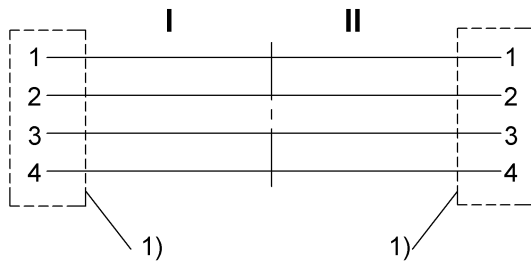
PIN 1: white/orange

PIN 2: white/green

PIN 3: orange

PIN 4: green

Wiring Diagrams



1) Shield on cover nut