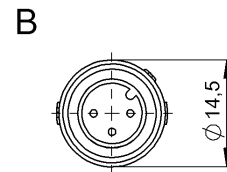
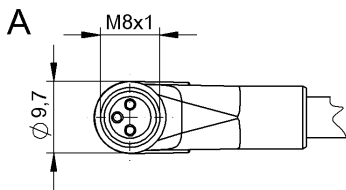
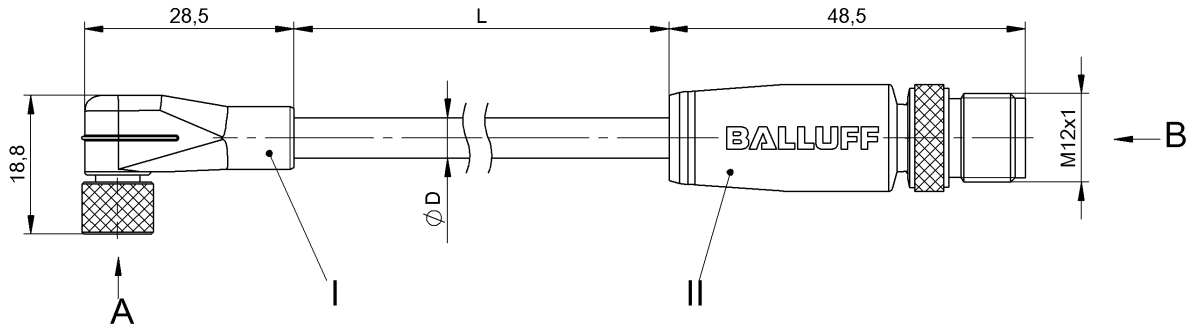


Double-Ended Cordsets  
**BCC W323-W413-3E-300-SW0434-006**  
**Order Code: BCC0HCH**

**BALLUFF**



4MT5  
(CYJV CABLE ASSEMBLY)

**Basic features**

<b>Application</b>	Welding area
<b>Approval/Conformity</b>	CE cULus EAC WEEE

**Electrical connection**

<b>Bending radius min., fixed cable</b>	10 x D
<b>Bending radius min., flexible cable</b>	15 x D
<b>Cable</b>	Silicone welding spark resistant black, 0.6 m
<b>Cable diameter D</b>	5.70 mm $\pm$ 0.25 mm
<b>Conductor cross-section</b>	0.34 mm <sup>2</sup>
<b>Connection 1</b>	M8x1-Female, angled, 3-pin, A-coded
<b>Connection 2</b>	M12x1-Male, straight, 3-pin, A-coded
<b>Number of conductors</b>	4
<b>System</b>	Molded/Molded

**Electrical data**

<b>Operating voltage Ub</b>	60 VDC / 60 VAC
<b>Rated current (40 °C)</b>	4.0 A

**Remarks**

Cable construction acc. to UL-AWM Style 4535  
 Halogen-free per IEC 60754  
 Maximum temperature at outer jacket from weld spatter/beads short-time 800°C.  
 Enclosure rating per IEC 60529, only in screwed state with the associated mating piece.

**Environmental conditions**

<b>Cable temperature UL max., fixed routing</b>	150 °C
<b>Cable temperature UL max., flexible routing</b>	150 °C
<b>Cable temperature, fixed routing</b>	-40...200 °C
<b>Cable temperature, flexible routing</b>	-25...200 °C
<b>Protection degree</b>	IP65/IP65

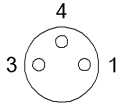
**Material**

<b>Cable jacket material, note</b>	welding spark resistant
<b>Cable jacket, material</b>	Silicone
<b>Material contact carrier</b>	PUR, special/PUR, special
<b>Material contacts</b>	Bronze/Brass
<b>Material cover nut</b>	Brass PTFE coated/Brass PTFE coated
<b>Material grip</b>	PUR, special/PUR, special

**Mechanical data**

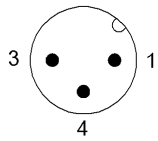
<b>Cable jacket, color</b>	black
<b>Cable length L</b>	0.60 m
<b>Tightening torque pigtail</b>	0.4 Nm/0.6 Nm

## Connector Drawings



I

PIN 1: brown  
PIN 3: blue  
PIN 4: black



II

PIN 1: brown  
PIN 3: blue  
PIN 4: black

## Wiring Diagrams

