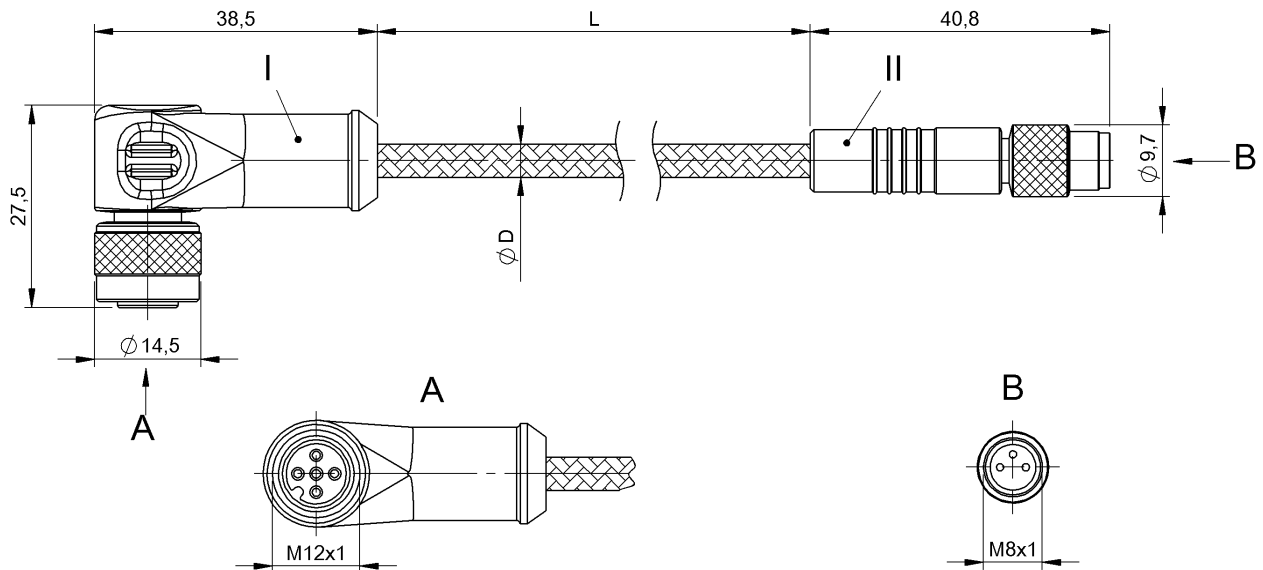


Double-Ended Cordsets
BCC W425-W313-3F-300-MW8334-015
 Order Code: BCC0H8F

BALLUFF



4MT5
(CYJV CABLE ASSEMBLY)



Basic features

Application	very good mechanical strength
Approval/Conformity	CE cULus EAC WEEE

Electrical connection

Bending radius min., fixed cable	5 x D
Bending radius min., flexible cable	10 x D
Cable	PUR black, 1.50 m
Cable diameter D	4.80 mm ±0.20 mm
Conductor cross-section	0.34 mm ²
Connection 1	M12x1-Female, angled, 5-pin, A-coded
Connection 2	M8x1-Male, straight, 3-pin, A-coded
Number of conductors	3
Protection jacket color	silver
System	Molded/Molded

Electrical data

Operating voltage U_b	60 VDC / 60 VAC
Rated current (40 °C)	4.0 A

Remarks

Cable construction acc. to UL-AWM Style 20549
 Halogen-free per DIN VDE 0472 Part 815
 Flame resistance per UL FT2
 Enclosure rating per IEC 60529, only in screwed state with the associated mating piece.

Environmental conditions

Cable temperature UL max., fixed routing	80 °C
Cable temperature UL max., flexible routing	80 °C
Cable temperature, fixed routing	-50...90 °C
Cable temperature, flexible routing	-25...90 °C
Protection degree	IP65/IP65

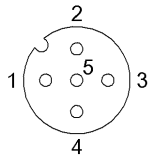
Material

Cable jacket, material	PUR
Jacket material	V2A
Material contact carrier	PUR, special/PUR, special
Material contacts	Bronze/Brass
Material cover nut	Brass PTFE coated/Brass PTFE coated
Material grip	PUR, special/PUR, special

Mechanical data

Cable jacket, color	black
Cable length L	1.50 m
Tightening torque pigtail	0.6 Nm/0.4 Nm

Connector Drawings



I

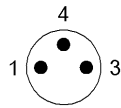
PIN 1: brown

PIN 2: n.c.

PIN 3: blue

PIN 4: black

PIN 5: n.c.



II

PIN 1: brown

PIN 3: blue

PIN 4: black

Wiring Diagrams

