

LF (125 kHz)
BIS L-409-045-001-07-S4
Order Code: **BIS00CZ**

BALLUFF

Output/Interface

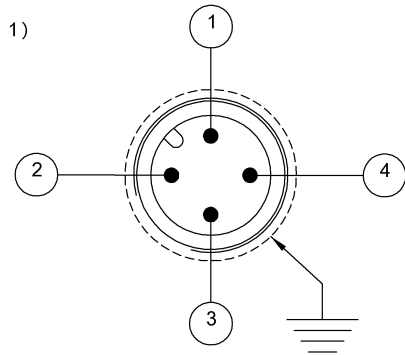
Interface
Process data IN

IO-Link
8 bytes

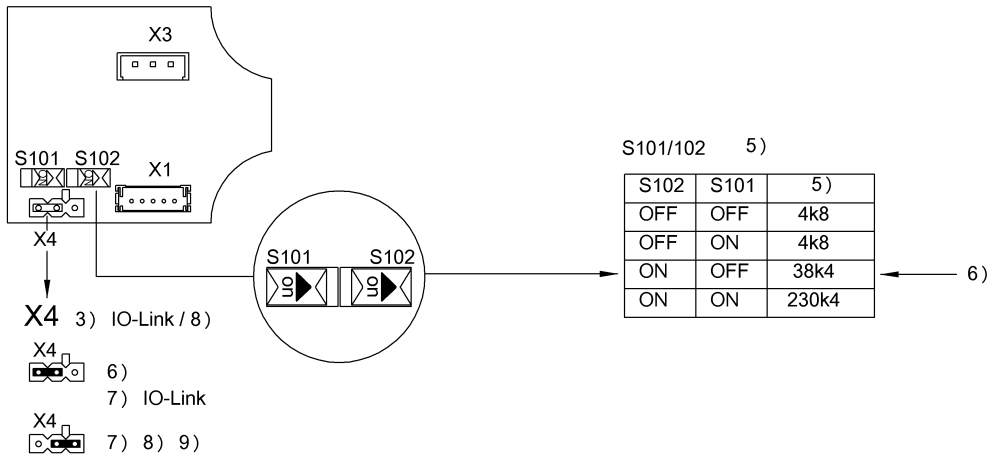
Remarks

For basic equipment see IO-Link catalog.
When installing, the technical standards and regulations of the corresponding countries must be observed.
Sensing face can be steplessly rotated (range 270°) and fixed with set screw
Values are under rated conditions unless otherwise specified.
Order accessories separately.
For installation in metal: Observe clear zone.

Help Views



- X1
 2)
 1 ——— L+
 2 ——— RxD 8)
 3 ——— L-
 4 ——— C/Q / TxD 8)
 ——— 4)



- 1) View towards connector
- 2) Connector 4-pin/ Function
- 3) Operating mode
- 4) Shield
- 5) Baud rate
- 6) Factory default setting
- 7) JP operating mode
- 8) Service
- 9) (Only for Balluff Service)