

1) Sensing surface, 2) Clear zone, 3) Locking screw, 4) Module unit, 5) Mounting base, 6) Cable length, 7) Power, 8) Tag present



Basic features

Antenna type	round
Approval/Conformity	CE cULus WEEE

Display/Operation

Power (ON)	Green LED
Tag Present (TP)	LED yellow

Electrical connection

Cable length L	0.5 m
Connection	M12x1-Male, 4-pin, A-coded
Connection type	Connector, 0.50 m, PU

Electrical data

Current consumption max. at 24 V DC	150 mA
Current load capacity in SIO-mode	≤ 50 mA Output short circuit protected
EN 300330-1	Power Class 5
Operating voltage U_b	18...30 VDC
Residual ripple max.	1.3 Vpp

Environmental conditions

Ambient temperature	0...70 °C
Continuous shock load	yes
EN 60068-2-27, Shock	yes
EN 60068-2-32 Free fall	yes
EN 60068-2-6, Vibration	yes
Protection degree	IP67
Storage temperature	-20...85 °C

LF (125 kHz)
BIS L-409-045-002-07-S4
Order Code: BIS00E0

BALLUFF

Material

Housing material	Brass, Interface PBT, nickel plated
Housing material, surface protection	nickel plated
Material jacket	PU

Mechanical data

Application weight	200.00 g
Dimension	Ø 18 x 75 mm
Installation	metal-free (clear zone)
Size	M18x1

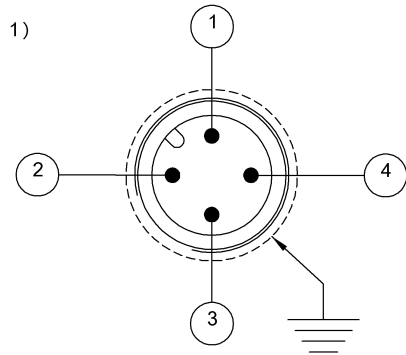
Output/Interface

Interface	IO-Link
Process data IN	8 bytes

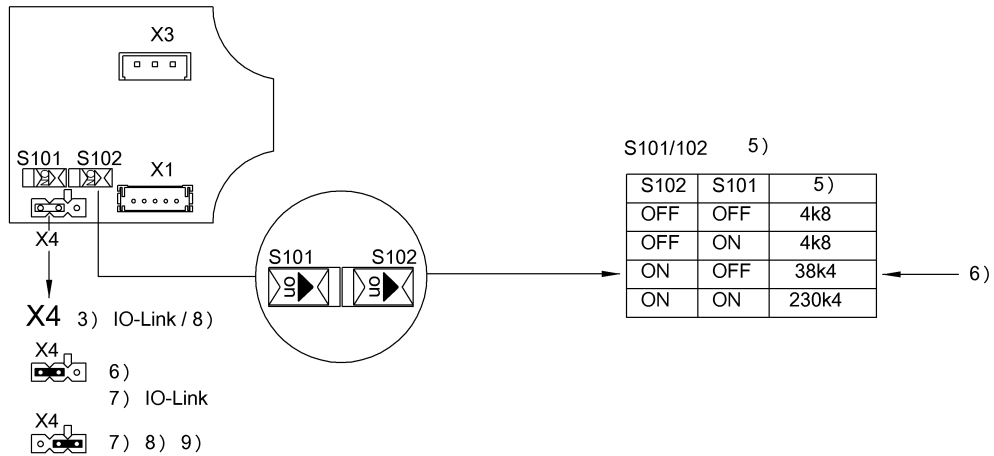
Remarks

For basic equipment see IO-Link catalog.
When installing, the technical standards and regulations of the corresponding countries must be observed.
Use included nuts for installation.
Values are under rated conditions unless otherwise specified.
Order accessories separately.
For installation in metal: Observe clear zone.

Help Views



- X1
 2)
 1 ——— L+
 2 ——— RxD 8)
 3 ——— L-
 4 ——— C/Q / TxD 8)
 ——— 4)



- 1) View towards connector
- 2) Connector 4-pin/ Function
- 3) Operating mode
- 4) Shield
- 5) Baud rate
- 6) Factory default setting
- 7) JP operating mode
- 8) Service
- 9) (Only for Balluff Service)