

1) Sensing surface



Basic features

Antenna type	round
Approval/Conformity	CE WEEE
EN 55022	Size 1, Cl. B

Electrical data

Data retention time/years	≥ 10 at 55 °C
Memory organization	250 × 8 bytes
Programming cycles	≥ 10.000.000.000
Programming time	for 16 bytes: 0.060s
Read cycles	Unlimited
Read time	for 16 bytes: 0.03 s User ID for 8 bytes: 0.02 s

Environmental conditions

Ambient temperature	-25...70 °C
Continuous shock load	yes
EN 60068-2-27, Shock	yes
EN 60068-2-32 Free fall	yes
EN 60068-2-6, Vibration	yes
IP rating per DIN 40050	IP68 IPx9K

Functional Characteristics

Memory type	FRAM
UID serial number, read-only	8 Byte
User data, read/write	2000 Byte

Material

Housing material	PA 12, GF30, With PU potting, gray
-------------------------	------------------------------------

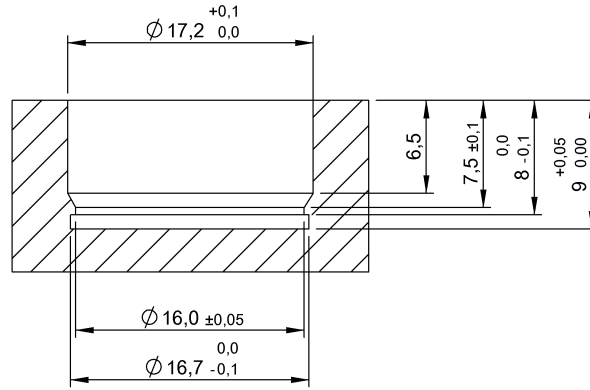
Mechanical data

Application weight	3.00 g
Dimension	Ø 17.2 x 14 mm

Remarks

Values are under rated conditions unless otherwise specified.
 Only when used together with the appropriate read/write head.
 For installation requirements see corresponding read/write head.
 Time specification includes data check.
 Replacement data carrier for BIS M-142-02/A-Mx-GY

Help Views



Installation note