

1) Sensing surface, 2) Data carrier, 3) Clear zone, 4) LED (Power), 5) LED (TP), 6) Tightening torque



Basic features

Antenna type	round
Approval/Conformity	CE FCC Part 15 IC RSS-210 cULus WEEE
EN 55022	Size 1, Cl. A

Display/Operation

Function indicator	LED yellow TP (Tag Present) Green LED Power (ON)
--------------------	---

Electrical connection

Connection	M12x1-Male, 4-pin, A-coded
------------	----------------------------

Electrical data

Current consumption max. at 24 V DC	150 mA
EN 300330-1	Power Class 5
Operating voltage U_b	18...30 VDC Supports only LPS/ Class 2
Residual ripple max.	1.3 Vpp

Environmental conditions

Ambient temperature	0...70 °C
Continuous shock load	yes
EN 60068-2-27, Shock	yes
EN 60068-2-32 Free fall	yes
EN 60068-2-6, Vibration	yes
Protection degree	IP67
Storage temperature	-20...85 °C

Functional Characteristics

Supported data carrier types	DIN ISO 14443 DIN ISO 15693
------------------------------	--------------------------------------

Material

Housing material	PBT
------------------	-----

Mechanical data

Application weight	380.00 g
Dimension	80 x 40 x 84.5 mm
Installation	metal-free (clear zone)

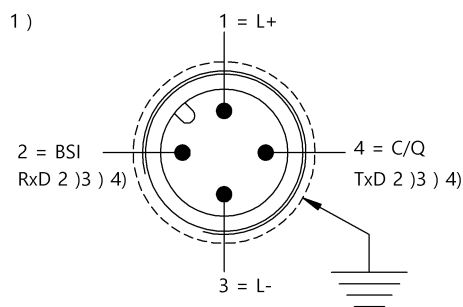
Output/Interface

Interface	IO-Link 1.1
Process data IN	32 bytes

Remarks

For basic equipment see IO-Link catalog.
When installing, the technical standards and regulations of the corresponding countries must be observed.
Values are under rated conditions unless otherwise specified.
Order accessories separately.
For installation in metal: Observe clear zone.

Connector Drawings

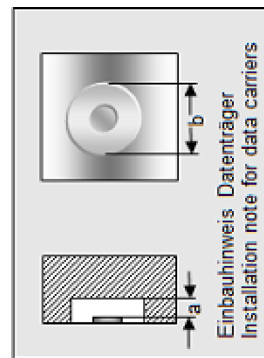


- 1) View towards connector
- 2) BSI service interface
- 3) Do not connect power
- 4) (Only for Balluff Service)

Help Views

BIS M-401-__

	BIS M-111-02/L	BIS M112-02/L	BIS M-140-02/A	BIS M-143-02/A- xx
passende Datenträger Appropriate data carriers				
Abstand Datenträger zu Metall in mm (a) Data carrier distance to metal in mm	>50 >30	>50 >30	>0	>0
Freizone Datenträger in mm (b) Data carrier clear zone in mm	>200 >100	>200 >100	>100	>100
Schreibabstand in mm Write distance in mm	0-40 0-25	0-60 0-35	0-32	0-16
Leseabstand in mm Read distance in mm	0-40 0-25	0-60 0-35	0-32	0-16
Versatz in mm bei Abstand von	0 ±30 ±20	±35 ±25	±25	±24
	5 ±30 ±20	±35 ±25	±25	±24
	9 ±30 ±20	±35 ±25	±25	±20
	12 ±25 ±20	±35 ±25	±25	±14
	15 ±25 ±18	±35 ±25	±25	±4
	16 ±25 ±18	±35 ±25	±25	±4
	18 ±25 ±16	±35 ±25	±25	
	20 ±25 ±14	±35 ±25	±25	
	22 ±20 ±12	±35 ±22	±20	
	25 ±20 ±10	±35 ±22	±20	
	30 ±20	±35 ±22	±15	
	32 ±15	±35 ±22	±15	
	35 ±15	±35 ±20		
	40 ±15	±35		
	43	±25		
	45	±25		
	50	±25		
	52	±25		
	60	±25		
	65			
	70			



BIS M-401-__

	BIS M-132-03/L- HT	BIS M135-03/L- HT			
passende Datenträger					
Appropriate data carriers					
Abstand Datenträger zu Metall in mm (a)					
Data carrier distance to metal in mm	>50	>50			
Freizone Datenträger in mm (b)	>200	>200			
Data carrier clear zone in mm					
Schreibabstand in mm					
Write distance in mm	0-50	0-75			
Leseabstand in mm					
Read distance in mm	0-50	0-75			
Versatz in mm	0 ±30	±50			
bei Abstand von	5 ±30	±50			
	10 ±30	±50			
	15 ±30	±50			
	20 ±30	±50			
	25 ±28	±50			
	30 ±28	±50			
	35 ±28	±50			
	40 ±28	±50			
	45 ±10	±45			
	50 ±10	±45			
	55	±45			
	60	±45			
	65	±35			
	70	±35			
	75	±35			
	80				
	85				
	90				
	95				
	100				

