

Functional Characteristics

Supported data carrier types	DIN
	ISO
	14443
	DIN ISO 15693

Material

Housing material	Brass, Interface aluminum, nickel plated
Housing material, surface protection	nickel plated
Material jacket	PU

Mechanical data

Application weight	220.00 g
Dimension	Ø 18 x 45.5 mm
Installation	metal-free (clear zone)
Size	M18x1

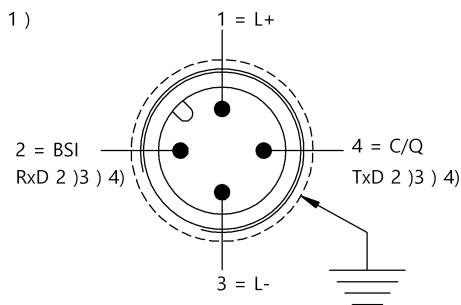
Output/Interface

Interface	IO-Link
Process data IN	32 bytes

Remarks

When installing, the technical standards and regulations of the corresponding countries must be observed.
 Use included nuts and fastening clamps for installation.
 Values are under rated conditions unless otherwise specified.
 Order accessories separately.
 For installation in metal: Observe clear zone.
 For basic equipment see IO-Link catalog.

Connector Drawings

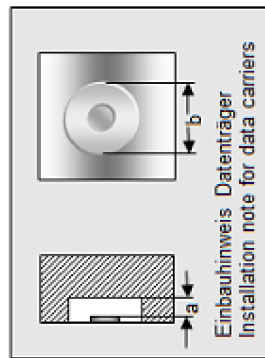


- 1) View towards connector
- 2) BSI service interface
- 3) Do not connect power
- 4) (Only for Balluff Service)

Help Views

BIS M-402-xxx-002-

	BIS M-101-01/L	BIS M-111-02/L			
passende Datenträger Appropriate data carriers					
Abstand Datenträger zu Metall in mm (a) Data carrier distance to metal in mm	>25	>25			
Freizone Datenträger in mm (b) Data carrier clear zone in mm	>100	>100			
Schreibabstand in mm Write distance in mm	0-14	0-18			
Leseabstand in mm Read distance in mm	0-14	0-18			
Versatz in mm bei Abstand von	0 ±10 5 ±10 10 ±9 14 ±5 15 ±10 18 ±5 20 25 30 35 40 45 50 55 60 65 70 75 80 85 90	0-18 ±12 ±12 ±11 ±10 ±10 ±5			
Offset in mm at distance					



BIS M-402-XXX-002-

	BIS M-130-03/L	BIS M-130-07/L	BIS M-132-03/L- HT	BIS M-143-02/A- XX
passende Datenträger Appropriate data carriers				
Abstand Datenträger zu Metall in mm (a) Data carrier distance to metal in mm	>25	>25	>25	>0
Freizone Datenträger in mm (b) Data carrier clear zone in mm	>100	>100	>100	>100
Schreibabstand in mm Write distance in mm	0-9	0-9	0-20	0-9
Lesebestand in mm Read distance in mm	0-9	0-9	0-20	0-9
Versatz in mm bei Abstand von	±6	±6	±12	±6
	±6	±6	±12	±6
	±5	±5	±12	±6
	±1	±1	±12	±4
Offset in mm at distance				
	15			
	17			
	20			
	22			
	25			
	30			
	32			
	35			
	40			
	43			
	45			
	50			
	52			
	60			
	65			
	70			

