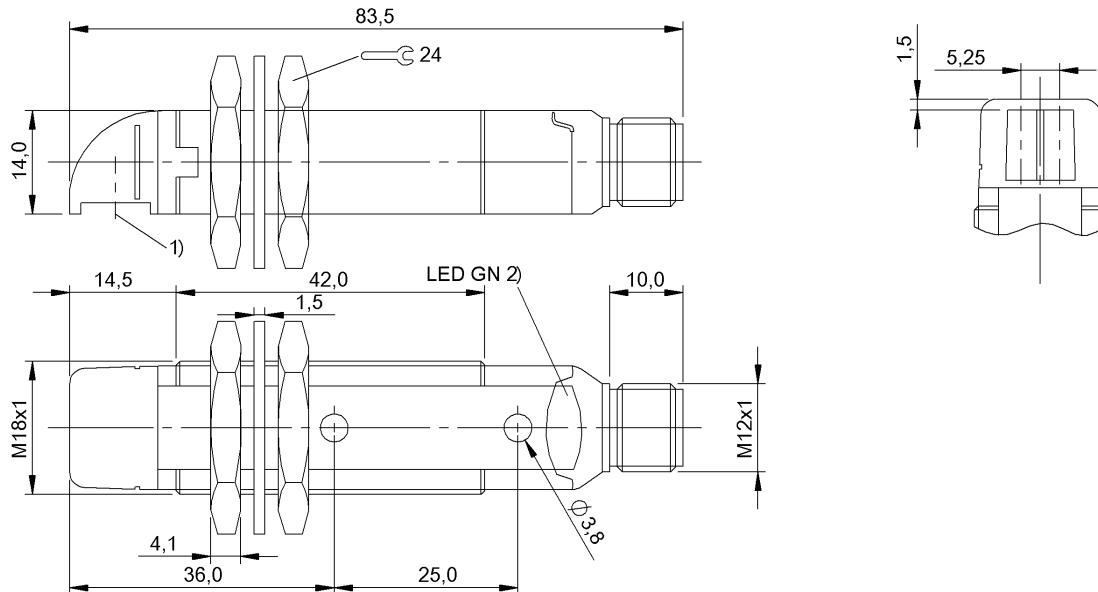


Photoelectric Sensors
BLS 18KW-XX-1P-S4-L
 Order Code: BOS00EW

BALLUFF



1) Optical axis, 2) Operating voltage



Basic features

Approval/Conformity	CE cULus EAC WEEE
Basic standard	IEC 60947-5-2
Principle of operation	Photoelectric sensor
Reference receiver	BLE 18KW-...1PP-..
Series	18KW
Style	Flat cylinder Optics 90°
Trademark	Global

Display/Operation

Display	LED green: Power
----------------	------------------

Electrical connection

Connection	Connector, M12x1-Male, 4-pin
Polarity reversal protected	yes

Electrical data

Input function	Test (Emitter off)
No-load current I_o max. at U_e	35 mA
Operating voltage U_b	10...30 VDC
Rated insulation voltage U_i	75 V DC
Rated operating voltage U_e DC	24 V
Ripple max. (% of U_e)	8 %

Environmental conditions

Ambient temperature	-25...55 °C
EN 60068-2-27, Shock	Half-sinus, 30 gn, 11 ms, 3x6
EN 60068-2-6, Vibration	10...55 Hz, amplitude 0.5 mm, 3x30 min
Protection degree	IP67

Functional safety

MTTF (40 °C)	991 a
---------------------	-------

Material

Housing material	PBT
Material sensing surface	PMMA

Mechanical data

Dimension	Ø 18 x 14 mm
Mounting	Nut M18x1 Screw M3
Tightening torque max.	1.5 Nm

Optical features

Light type	Infrared
Principle of optical operation	Through-beam sensor (Emitter)
Wave length	880 nm

Range/Distance

Range	0...15 m
Rated operating distance S_n	15 m Adjustable

Remarks

For additional information, refer to user's guide.

Order accessories separately.

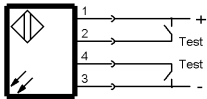
For more information about MTTF and B10d see MTTF / B10d Certificate

Indication of the MTTF- / B10d value does not represent a binding composition and/or life expectancy assurance; these are simply experiential values with no warranty implications. These declared values also do not extend the expiration period for defect claims or affect it in any way.

Connector Drawings



Wiring Diagrams



Opto Symbols

