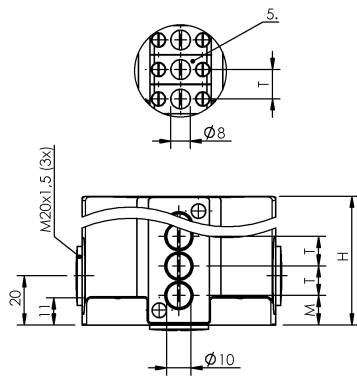
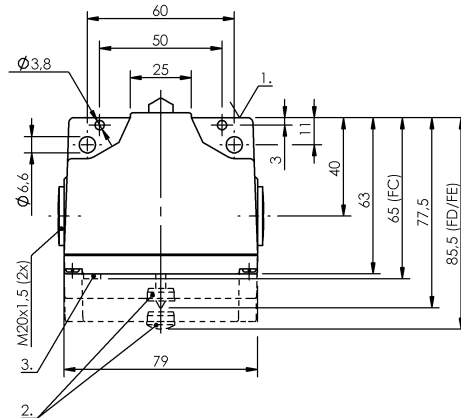


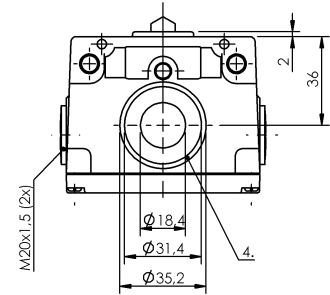
M=12	BNS...61-12..
M=16	BNS...61-16..
M=24	BNS...61-24..
M=30	BNS...61-30..



Gehäuse B/Housing B



Gehäuse B (Standard)/Housing B (Standard)



Gehäuse C/Housing C

1) Reference edge, 2) Function indicator FD/FE/LL, 3) Function indicator FC, 4) Sealing ring, 5) Anti-crystallization plunger



Basic features

Approval/Conformity	CE WEEE
Basic standard	IEC 60947-5-1
Operating principle	1-3. Switch position: Mechanical
Version	Snap contact

Display/Operation

Function indicator	1-3. Switch position: None
--------------------	----------------------------

Electrical connection

Connection type	1-3. Switch position: Screw terminal
-----------------	--------------------------------------

Electrical data

Continuous current	1-3. Switch position: 6 A
Rated operating voltage Ue	1-3. Switch position: 250 V AC
Switching function mechanical	Double-interrupting galvanically isolated One NO and one NC Dual changeover
Switching rate	1-3. Switch position: 300/min

Environmental conditions

Ambient temperature	-5...85 °C
Protection degree	IP67

Functional safety

B10d (EN ISO 13849-1)	BSE 30.0: 30 mil. Switching operations
-----------------------	--

Material

Housing material	Aluminum, Anodized
Housing material, surface protection	Anodized
Material contacts	1-3. Switch position: Silver, gold plated
Plunger material	1-3. Switch position: Stainless steel (1.4034)

Mechanical data

Approach direction	longitudinal, parallel to attachment surface
Approach speed	1-3. Switch position: 60 m/min
Dimension	79 x 60 x 63 mm
Distance cam - reference edge	1-3. Switch position: 4.50...5.00 mm
Flange, feed-through	1 threaded exit M20
Installation	Vertical
Life expectancy mechanical	1-3. Switch position: 30 million Switching operations
Number of switching positions	3x Roller
Plunger spacing 1st switch position	24 mm
Plunger style	1-3rd switch position: Roller
Switch actuation force	1-3. Switch position: 20 N
Switching element	1-3. Switch position: BSE 30.0

Range/Distance

Reproducibility
Switch position spacing

1-3. Switch position: ± 0.01 mm
12 mm

Wiring Diagrams

BSE 30.0

