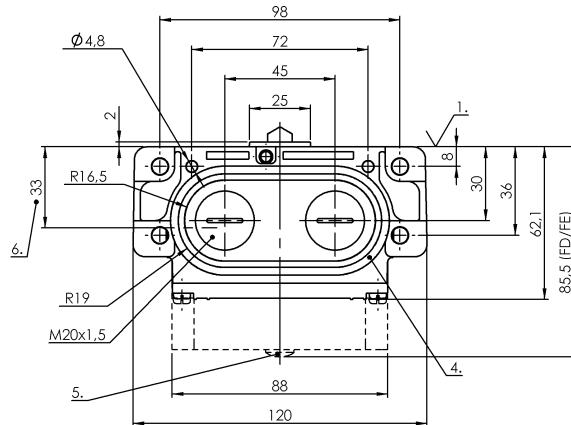
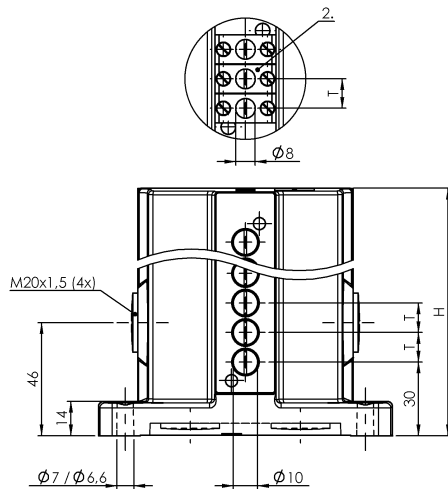


Mechanical Cam Switches  
**BNS 819-D03-D12-62-10-FD**  
 Order Code: BNS01HW

**BALLUFF**



**Basic features**

Approval/Conformity	CE WEEE
Basic standard	IEC 60947-5-1
Operating principle	1-3. Switch position: Mechanical
Version	Snap contact

**Display/Operation**

Function indicator	1-3. Switch position: FD - 6...60 V
--------------------	-------------------------------------

**Electrical connection**

Connection type	1-3. Switch position: Screw terminal
-----------------	--------------------------------------

**Electrical data**

Continuous current	1-3. Switch position: 6 A
Rated operating voltage Ue	1-3. Switch position: 250 V AC
Switching function mechanical	Double-interrupting galvanically isolated One NO and one NC Dual changeover
Switching rate	1-3. Switch position: 300/min

**Environmental conditions**

Ambient temperature	-5...85 °C
Protection degree	IP67

**Functional safety**

B10d (EN ISO 13849-1)	BSE 30.0: 30 mil. Switching operations
-----------------------	--

**Material**

Housing material	Aluminum, Anodized
Housing material, surface protection	Anodized
Material contacts	1-3. Switch position: Silver, gold plated
Plunger material	1-3. Switch position: Stainless steel (1.4034)

**Mechanical data**

Approach direction	longitudinal, parallel to attachment surface
Approach speed	1-3. Switch position: 40 m/min
Dimension	120 x 72 x 85.5 mm
Distance cam - reference edge	1-3. Switch position: 4.50...5.00 mm
Flange, feed-through	2 threaded exit M20
Installation	Vertical
Life expectancy mechanical	1-3. Switch position: 30 million Switching operations
Number of switching positions	3x Chisel
Plunger spacing 1st switch position	30 mm
Plunger style	1-3rd switch position: Chisel
Switch actuation force	1-3. Switch position: 20 N
Switching element	1-3. Switch position: BSE 30.0

**Range/Distance**

Reproducibility	1-3. Switch position: ±0.002 mm
Switch position spacing	12 mm

## Wiring Diagrams

BSE 30.0

