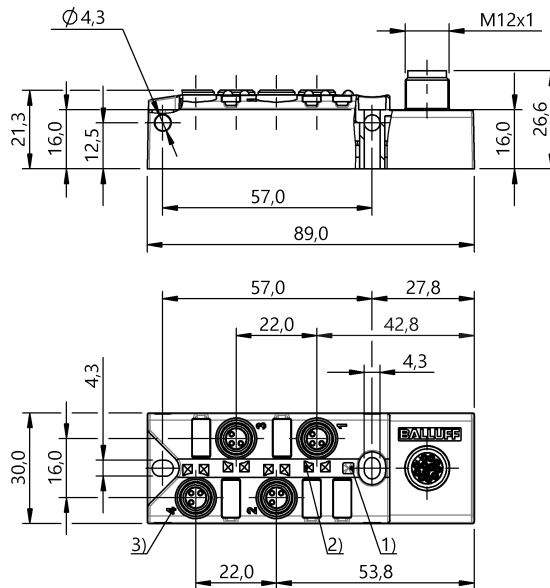


Junction blocks
BPI 4M303P-5K-B0-SM4CT
 Order Code: BPI00A9

BALLUFF



1) Power green, 2) LED yellow for Signal 1 (NO), 3) Slot numbering



Basic features

Approval/Conformity	CE cULus EAC WEEE
Scope of delivery	Part labels (11x) Cover cap (3x)

Display/Operation

Power indicator	Green LED
Switching function display	Yellow LED (4x)

Electrical connection

Connection slots	4x M8x1-Female, 3-pin
-------------------------	-----------------------

Electrical data

Isolation resistance	≥ 10 GOhm
Operating voltage U_b	10...30 VDC
Output current max.	1.5 A
Rated operating voltage U_e DC	24 V
Total current max.	1.5 A

Environmental conditions

Ambient temperature	-25...80 °C
Protection degree	IP67 when threaded in

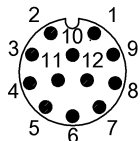
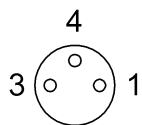
Material

Housing material	PBT, GF
Material contact carrier	PBT
Material contacts	Bronze (CuSn6), nickel layer

Mechanical data

Casting	yes
Dimension	89 x 30 x 26.6 mm
Mounting	M4 (2x)
Tightening torque	1.2 Nm ±0.2 (M4)
Tightening torque pigtail	0.4 Nm + 0.1 Nm (M8 connector)

Connector Drawings



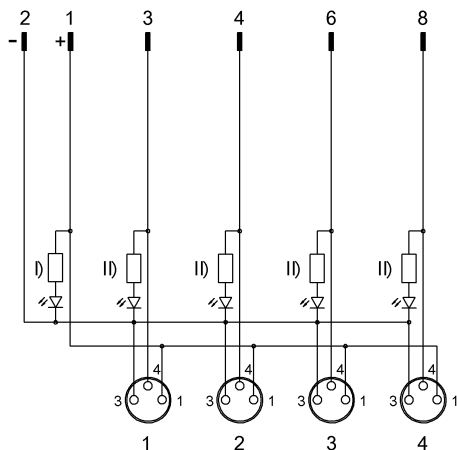
I/O ports

PIN 1: +24V

PIN 3: 0V

PIN 4: Normally open

Wiring Diagrams



I) LED green

II) LED yellow