



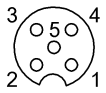
Junction blocks  
**BPI 4M4A5P-2K-B0-KPXB0-030**  
Order Code: BPI009W

**BALLUFF**

Remarks

Cable construction acc. to UL-AWM Style 20549/10493  
Flame resistance per IEC 60332-1-2  
Flame resistance per UL 758/1581 FT2  
Halogen-free per DIN VDE 0472 Part 815  
Halogen-free acc. to IEC 60754-1  
Oil resistant per DIN EN 60811-404 (VDE 0473-811-404)  
Enclosure rating per IEC 60529, only in screwed state with the associated mating piece.

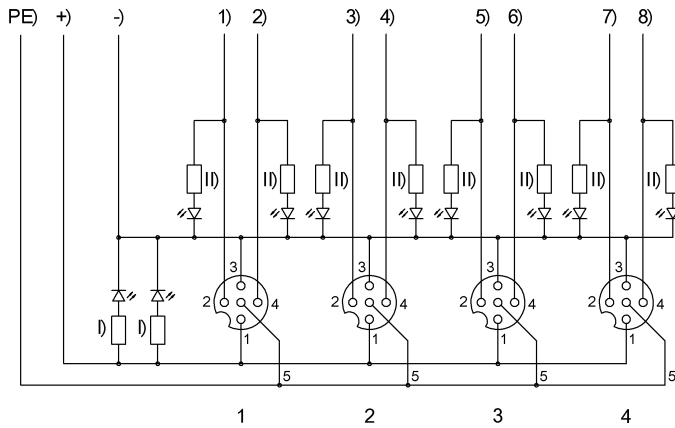
**Connector Drawings**



I/O ports

PIN 1: +24V  
PIN 2: Normally closed  
PIN 3: 0V  
PIN 4: Normally open  
PIN 5: PE

## Wiring Diagrams



- ) blue 1.00 mm<sup>2</sup>
- +) brown 1.00 mm<sup>2</sup>
- 1) gray/pink
- 2) white
- 3) red/blue
- 4) green
- 5) white/green
- 6) yellow
- 7) brown/green
- 8) gray
- I) LED green
- II) LED yellow
- PE) green/yellow 1.00 mm<sup>2</sup>