

1) Power green, 2) LED yellow for Signal 1 (NO), 3) LED yellow for Signal 2 (NC), 4) Slot numbering



Basic features

Approval/Conformity	CE cULus EAC WEEE
Scope of delivery	Part labels (24x) Cover cap (4x)

Display/Operation

Power indicator	Green LED
Switching function display	Yellow LED (16x)

Electrical connection

Bending radius min., fixed cable	7.5 x D
Bending radius min., flexible cable	15 x D
Cable	PUR black, 10 m, Drag chain compatible
Cable diameter D	9.70 mm ±0.3 mm
Cable, bending cycles min.	2 million
Conductor cross-section	0.34 mm ² + 1.0 mm ²
Connection slots	8x M12x1-Female, 5-pin
Number of conductors	19

Electrical data

Isolation resistance	≥ 10 GOhm
Operating voltage U _b	10...30 VDC
Output current max.	4 A
Rated operating voltage U _e DC	24 V
Total current max.	8 A

Environmental conditions

Cable temperature, fixed routing	-40...80 °C
Cable temperature, flexible routing	-20...80 °C
Protection degree	IP67 when threaded in

Material

Cable jacket, material	PUR
Housing material	PBT, GF
Material contact carrier	PBT
Material contacts	Bronze (CuSn6), nickel layer

Mechanical data

Acceleration max., drag chain	10 m/s ²
Cable jacket, color	black
Cable length L	10.00 m
Cable properties	Drag chain compatible
Casting	yes
Dimension	155 x 58 x 25 mm
Horizontal travel permitted, drag chain	10 m at 10 m/s ²
Mounting	M4 (4x)
Tightening torque	1.2 Nm ±0.2 (M4)
Tightening torque pigtail	0.6 Nm + 0.1 Nm (M12 connector)
Traverse speed max., drag chain	3 m/s

Output/Interface

Switching output	PNP normally open/normally closed (NO/NC)
------------------	---

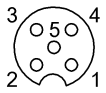
Junction blocks
BPI 8M4A5P-2K-B0-KPXL0-100
Order Code: BPI009A

BALLUFF

Remarks

Cable construction acc. to UL-AWM Style 20549/10493
Flame resistance per IEC 60332-1-2
Flame resistance per UL 758/1581 FT2
Halogen-free per DIN VDE 0472 Part 815
Halogen-free acc. to IEC 60754-1
Oil resistant per DIN EN 60811-404 (VDE 0473-811-404)
Enclosure rating per IEC 60529, only in screwed state with the associated mating piece.

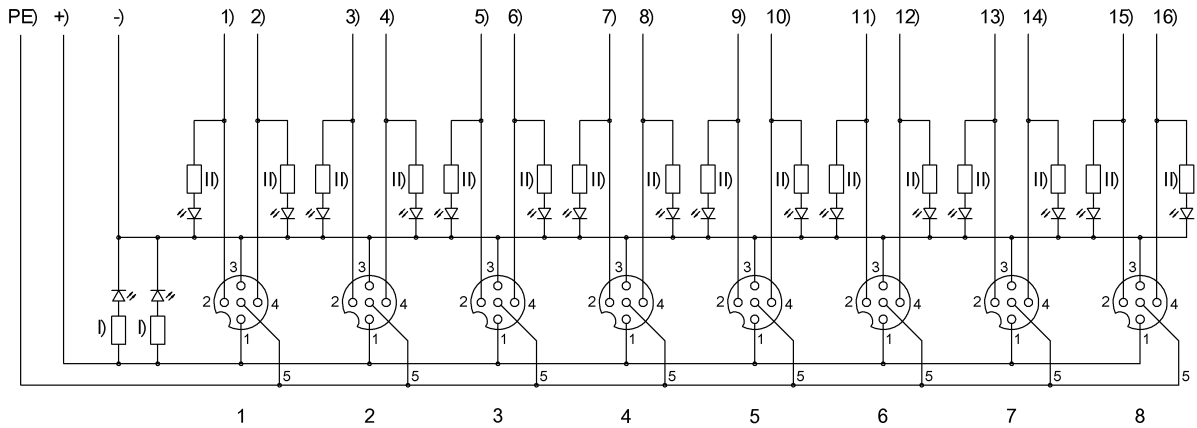
Connector Drawings



I/O ports

PIN 1: +24V
PIN 2: Normally closed
PIN 3: 0V
PIN 4: Normally open
PIN 5: PE

Wiring Diagrams



-) blue 1.00 mm²
- +) brown 1.00 mm²
- 1) gray/pink
- 2) white
- 3) red/blue
- 4) green
- 5) white/green
- 6) yellow
- 7) brown/green
- 8) gray
- 9) white/yellow
- I) LED green
- 10) pink
- 11) yellow/brown
- 12) red
- 13) white/gray
- 14) black
- 15) gray/brown
- 16) violet
- II) LED yellow
- PE) green/yellow 1.00 mm²