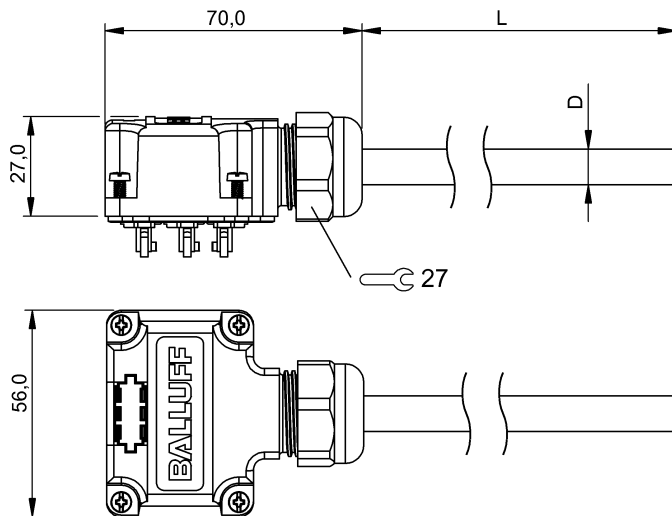


Junction blocks
BPI T00N-K-00-KPXL0-150
 Order Code: BPI007Y

BALLUFF



Basic features

Approval/Conformity	CE EAC WEEE
---------------------	-------------------

Electrical connection

Bending radius min., fixed cable	7.5 x D
Bending radius min., flexible cable	15 x D
Cable	PUR black, 15 m, Drag chain compatible
Cable diameter D	9.70 mm ±0.3 mm
Cable, bending cycles min.	2 million
Conductor cross-section	0.34 mm ² + 1.0 mm ²
Number of conductors	19

Electrical data

Output current max.	2 A
Total current max.	8 A

Remarks

Cable construction acc. to UL-AWM Style 20549/10493
 Flame resistance per IEC 60332-1-2
 Flame resistance per UL 758/1581 FT2
 Halogen-free per DIN VDE 0472 Part 815
 Halogen-free acc. to IEC 60754-1
 Oil resistant per DIN EN 60811-404 (VDE 0473-811-404)
 Enclosure rating per IEC 60529, only in screwed state with the associated mating piece.
 Suitable for use with BPI 8M4A5P-2K-00-TP0N

Environmental conditions

Cable temperature, fixed routing	-40...80 °C
Cable temperature, flexible routing	-20...80 °C
Protection degree	IP67 when threaded in

Material

Cable jacket, material	PUR
Housing material	PBT, GF

Mechanical data

Acceleration max., drag chain	10 m/s ²
Cable jacket, color	black
Cable length L	15.00 m
Cable properties	Drag chain compatible
Horizontal travel permitted, drag chain	10 m at 10 m/s ²
Traverse speed max., drag chain	3 m/s

Wiring Diagrams

Anschlussstabelle / terminal diagram

Klemme Nr. Termina No.	M12 Buchse / M12 Socket Steckplatz/Kontakt / Slot/contact	Anschlußleitung Standardfarbe Standard cable colour coding	Kontaktbelegung / Contactassignment
1	1 / 4	WH	<p>Buchse / Socket M12</p> <p>(-) 3 4 (NO/1.Signal) 5 (PE) (NC/2.Signal) 2 1 (+)</p> <p>Klemmen / terminals</p> <p>BR1 BR2</p>
9	1 / 2	GY/PK	
2	2 / 4	GN	
10	2 / 2	RD/BU	
3	3 / 4	YE	
11	3 / 2	WH/GN	
4	4 / 4	GY	
12	4 / 2	BN/GN	
5	5 / 4	PK	
13	5 / 2	WH/YE	
6	6 / 4	RD	
14	6 / 2	YE/BN	
7	7 / 4	BK	
15	7 / 2	WH/GY	
8	8 / 4	VT	
16	8 / 2	GY/BN	
+1	1, 3, 5, 7 / 1 (+)	BN	
+2	2, 4, 6, 8 / 1 (+)	n.c.	
-1	1, 3, 5, 7 / 3 (-)	BU	
-2	2, 4, 6, 8 / 3 (-)	n.c.	
PE	1-8 / 5 (PE)	GN/YE	