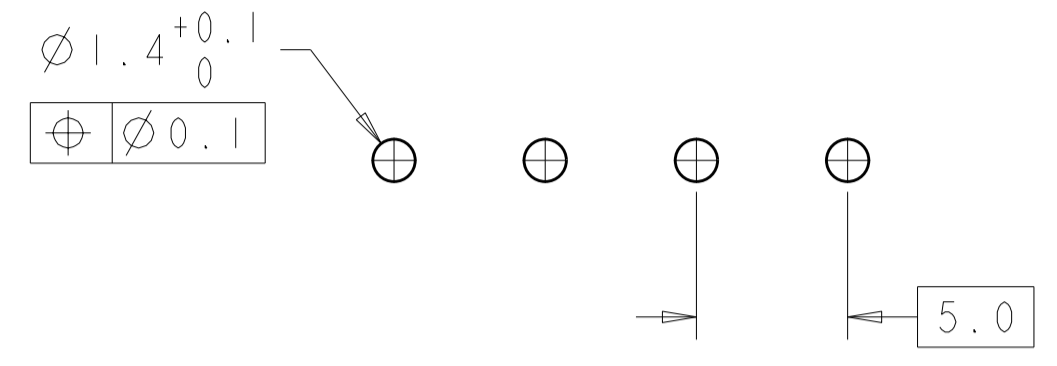
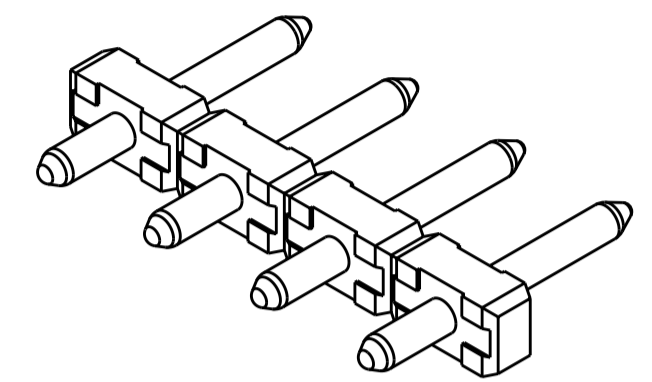
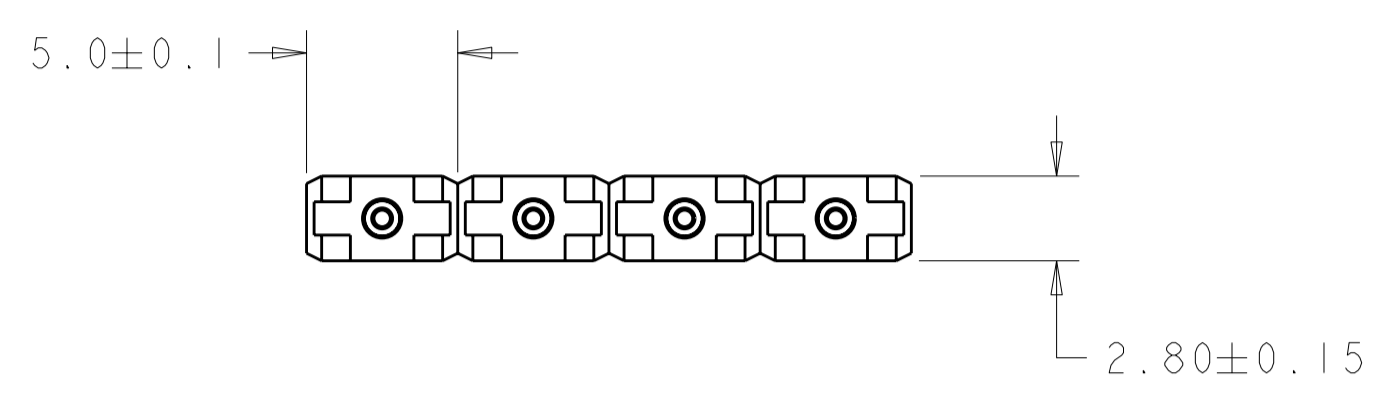


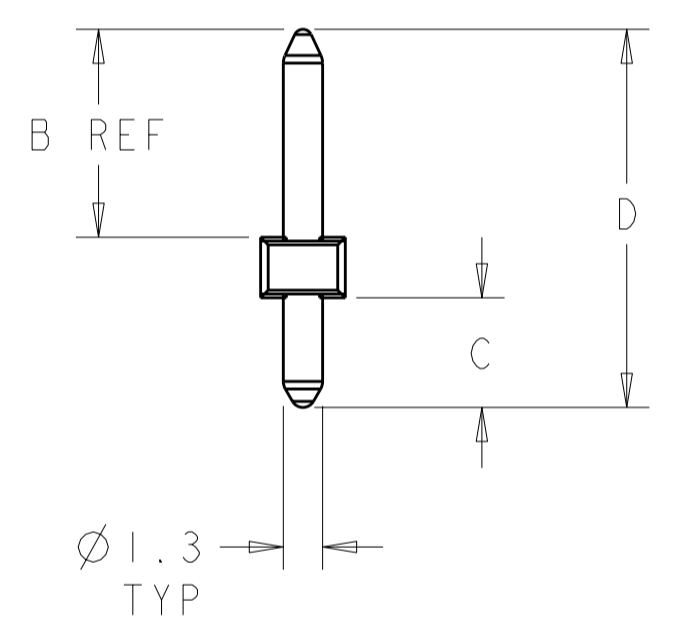
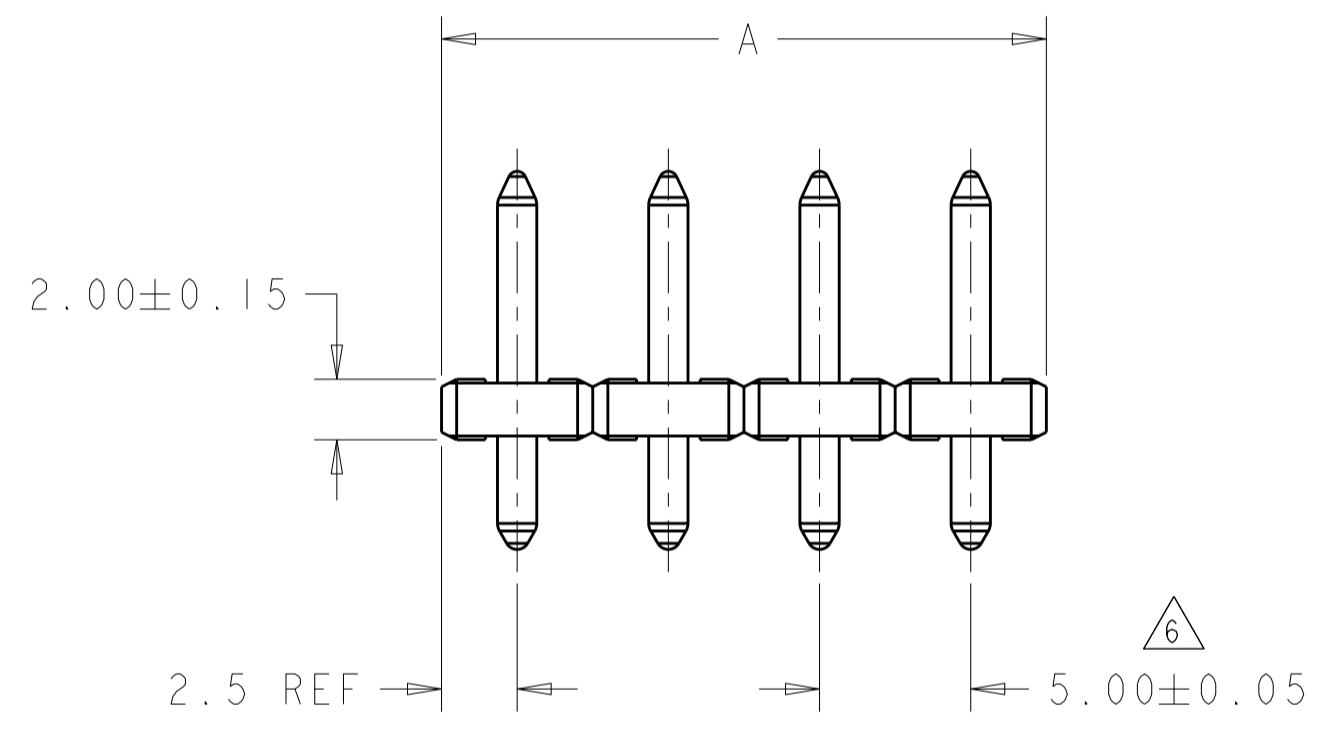
THIS DRAWING IS UNPUBLISHED. RELEASED FOR PUBLICATION 20  
 © COPYRIGHT 20 BY - ALL RIGHTS RESERVED.

LOC		DIST		REVISIONS			
P	LTR	DESCRIPTION	DATE	DWN	APVD		
	H2	REVISED PER ECO-11-005027	16MAR2011	RK	HMR		



RECOMMENDED PC BOARD LAYOUT

282832-4 AS SHOWN



TIN	16.5	3.5	11	20	4	3-282832-7
		20.5	4.5	14	15	3
GOLD	12.5	3.5	7	21.1	4	3-282832-5
				15.6	3	3-282832-4
				15	3	3-282832-3
				10	2	3-282832-2
				15	3	2-282832-7
				125	25	2-282832-6
				120	24	2-282832-5
				115	23	2-282832-4
				110	22	2-282832-3
				105	21	2-282832-2
				100	20	2-282832-1
				95	19	2-282832-0
				90	18	1-282832-9
				85	17	1-282832-8
80	16	1-282832-7				
75	15	1-282832-6				
70	14	1-282832-5				
65	13	1-282832-4				
TIN	16.5	3.5	11	40	8	1-282832-3
				60	12	1-282832-2
				55	11	1-282832-1
				50	10	1-282832-0
				45	9	282832-9
				40	8	282832-8
				35	7	282832-7
				30	6	282832-6
				25	5	282832-5
				20	4	282832-4
15	3	282832-3				
10	2	282832-2				
TERMINAL PLATING	D	C	B	A	NO OF POSN	PART NUMBER

- △ MATERIALS AND FINISH:  
 HOUSING: PA 6-6, UL 94-V0, COLOR GREEN.  
 TERMINAL: BRASS, PLATING: SEE TABLE.
- SUITABLE FOR 1,6-2,4mm PC BOARD THICKNESS.
  - END-TO-END STACKABLE WITHOUT LOSS OF CENTERLINE SPACING.
  - RECOGNIZED UNDER THE COMPONENT PROGRAM OF UNDERWRITERS LABORATORIES INC. FILE N° E60677.
  - IMQ CERTIFICATE WITH SURVEILLANCE IN CONFORMITY WITH IEC 998-1/998-2-1.
- △ NOT CUMULATIVE TOLERANCE.

THIS DRAWING IS A CONTROLLED DOCUMENT.

DIMENSIONS: mm	TOLERANCES UNLESS OTHERWISE SPECIFIED:	DWN: E. ZANOLINI 14AUG2001	TE Connectivity NAME: TERMINAL BLOCK PIN HEADER UNSHROUDED 5.0 mm PITCH SIZE: A2 CAGE CODE: 00779 DRAWING NO: C-282832 RESTRICTED TO: -
MATERIAL	0 PLC ±3 1 PLC ±.3 2 PLC ±.25 3 PLC ±. 4 PLC ±. ANGLES ±2 FINISH	CHK: D. BIEVENOUR 14AUG2001	
		APVD: D. BIEVENOUR 14AUG2001	
		PRODUCT SPEC: 108-20166 APPLICATION SPEC: 114-20079 WEIGHT: -	
CUSTOMER DRAWING		SCALE: 4:1	SHEET 1 OF 1 REV: H2