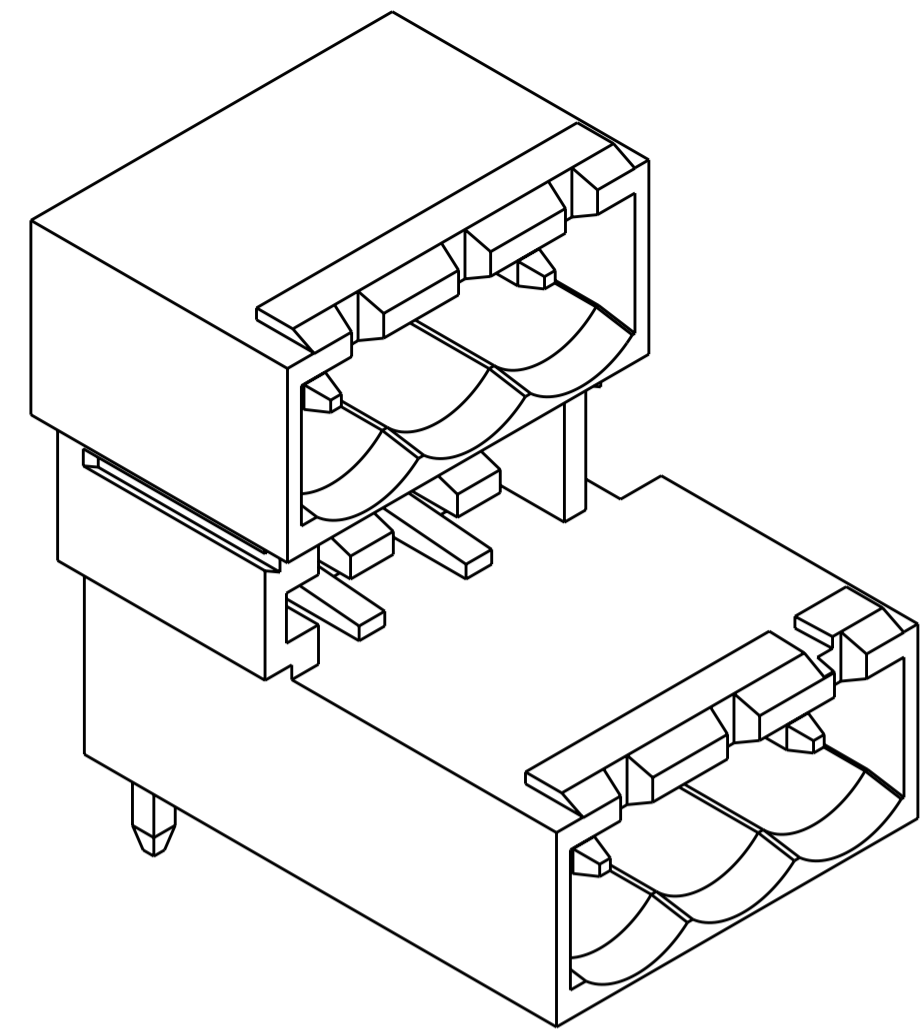
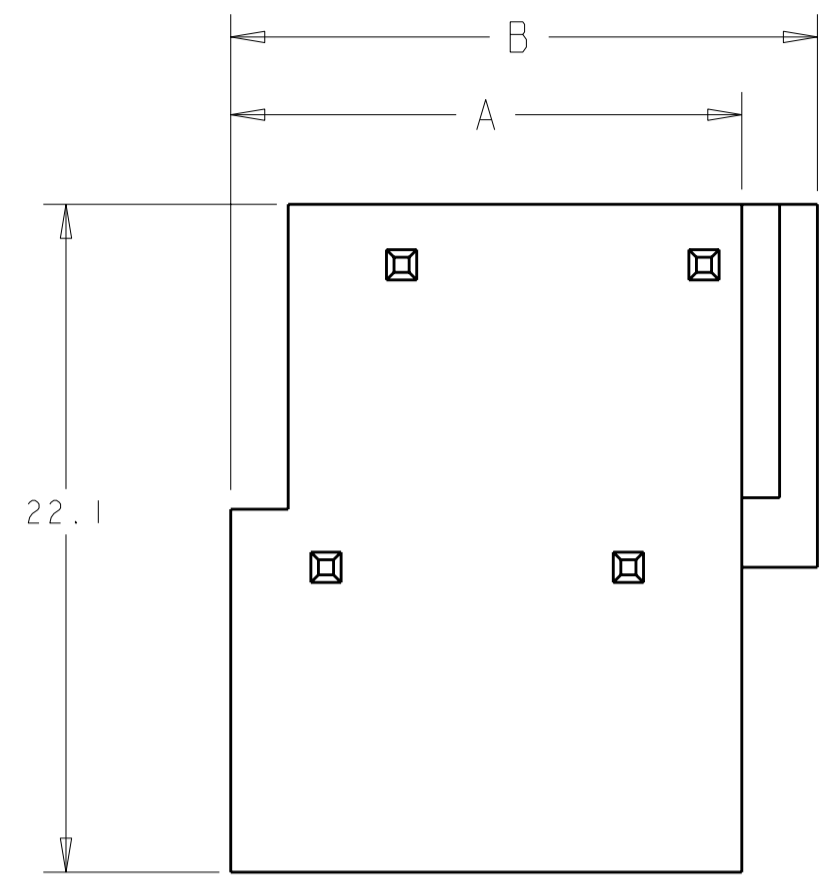


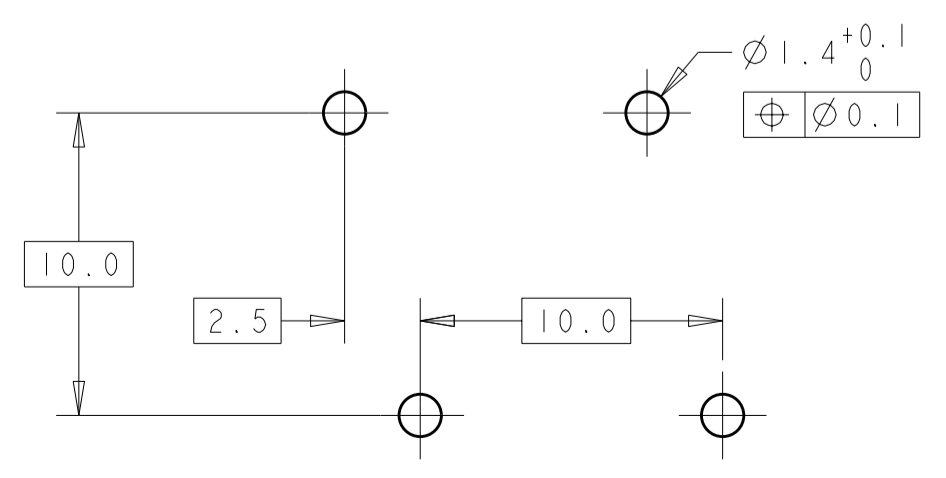
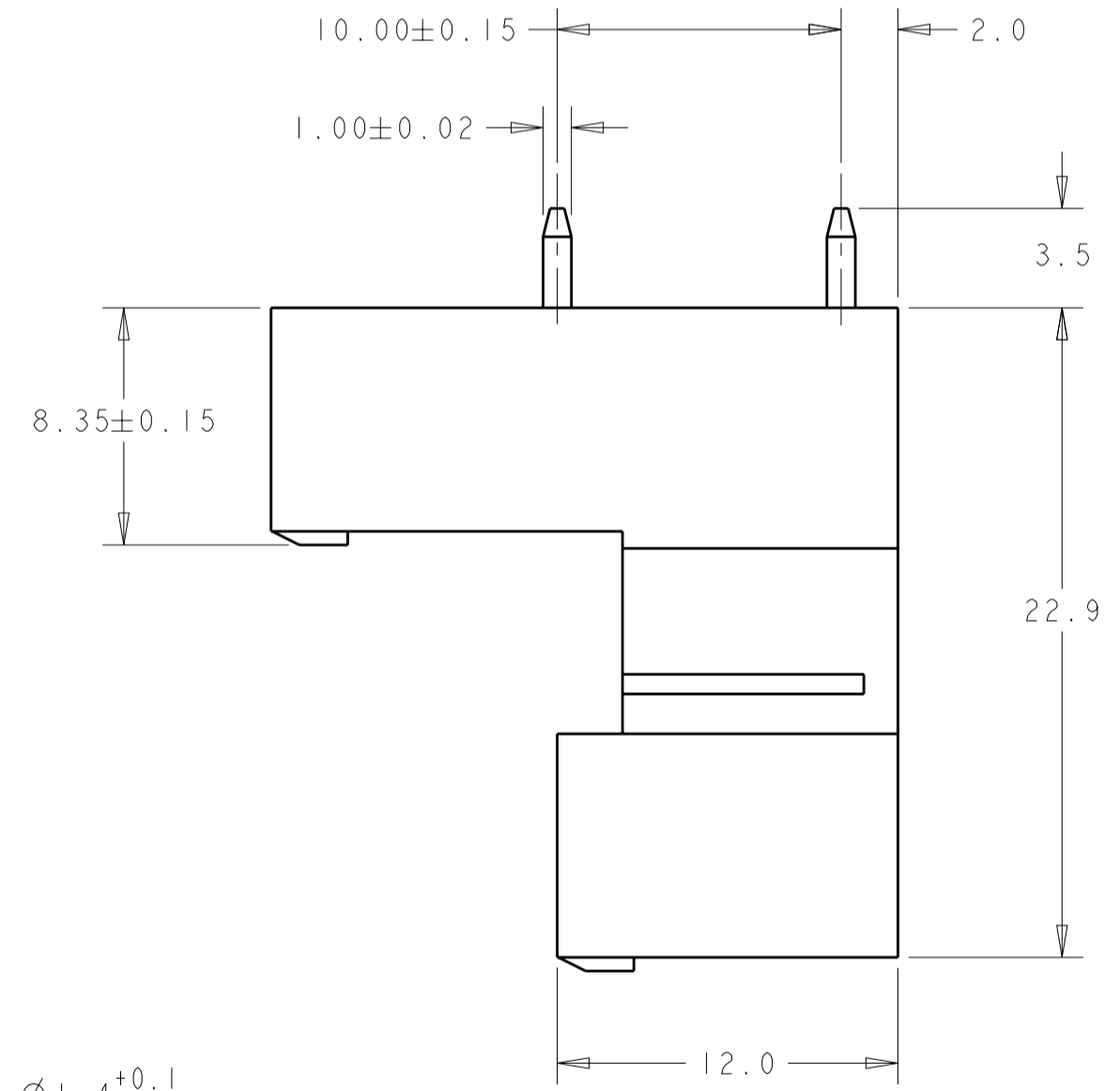
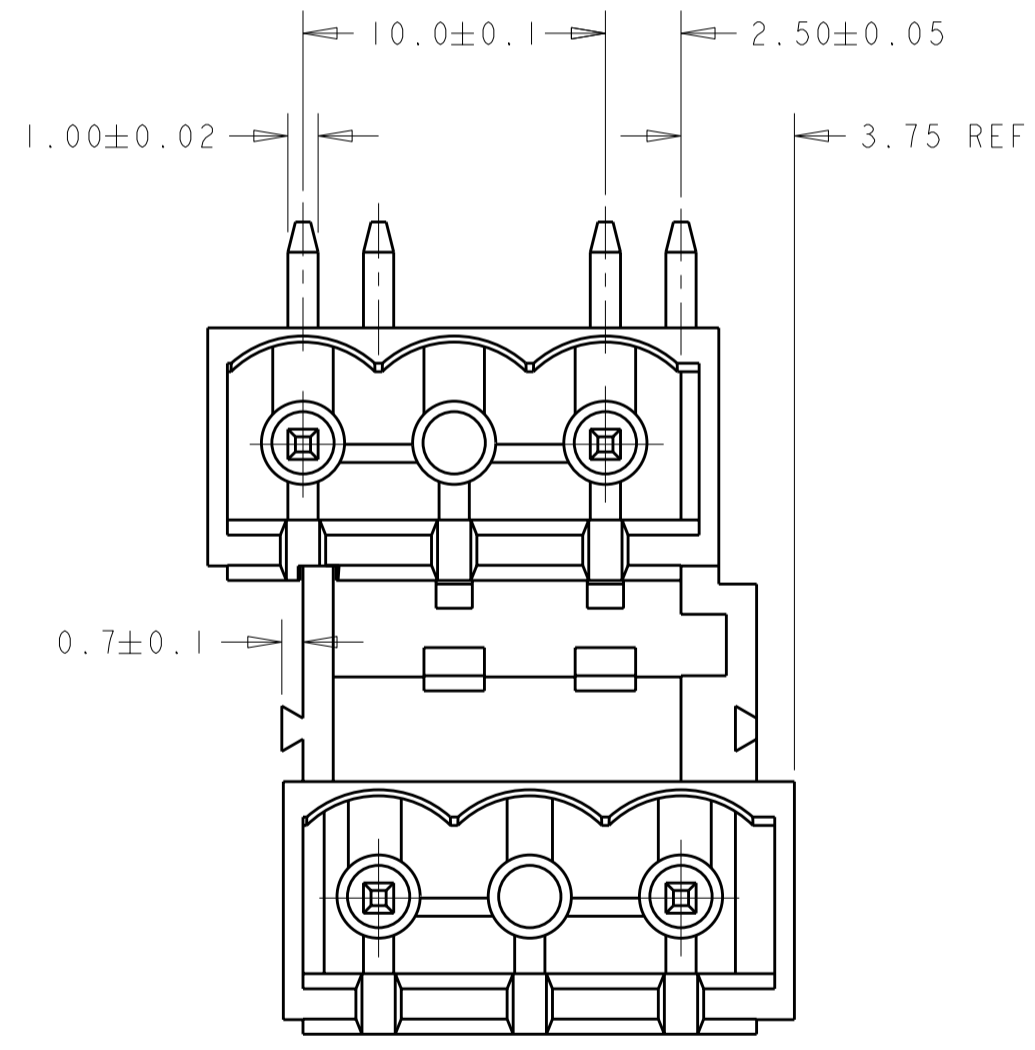
THIS DRAWING IS UNPUBLISHED. RELEASED FOR PUBLICATION 20
 © COPYRIGHT 20 BY - ALL RIGHTS RESERVED.

LOC	DIST	REVISIONS			
P	LTR	DESCRIPTION	DATE	DWN	APVD
FT	0	01 REVISED PER ECO-12-007714	25APR2012	KH	MS



1776170-3 AS SHOWN

- ⚠ MATERIALS AND FINISH
 HOUSING: HIGH TEMPERATURE POLYAMIDE, UL 94V-0 RATED, COLOR: BLACK.
 TERMINAL: COPPER ALLOY, TIN PLATED.
- SUITABLE FOR 1,6-2,4mm PC BOARD THICKNESS.
 - P/N FROM 1776166-4 TO 1776166-8 ARE OBTAINED BY ASSEMBLING 1776166-2 AND 1776166-3 TO ACHIEVE THE DESIRED NUMBER OF POSITIONS.



RECOMMENDED PC BOARD LAYOUT

B	A	NO OF POSN	PART NUMBER
39.5	37.0	4	1776170-4
29.5	27.0	3	1776170-3
19.5	17.0	2	1776170-2

THIS DRAWING IS A CONTROLLED DOCUMENT.		DWN S. WELDON 29 JUL 2005	STE TE Connectivity	
DIMENSIONS: mm		CHK C. RICHARD 29 JUL 2005		
TOLERANCES UNLESS OTHERWISE SPECIFIED:		APVD C. RICHARD 29 JUL 2005	NAME TERMINAL BLOCK HEADER ASSEMBLY, MULTIPLE, 90 DEGREE, CLOSED ENDS, 10.00mm PITCH	
0 PLC ±-		PRODUCT SPEC -	SIZE CAGE CODE DRAWING NO RESTRICTED TO	
1 PLC ±.3		APPLICATION SPEC -	A200779C-1776170	
2 PLC ±.25		WEIGHT -	SCALE 4:1 SHEET OF REV 01	
3 PLC ±-		CUSTOMER DRAWING		
4 PLC ±-				
ANGLES ±2				
FINISH				