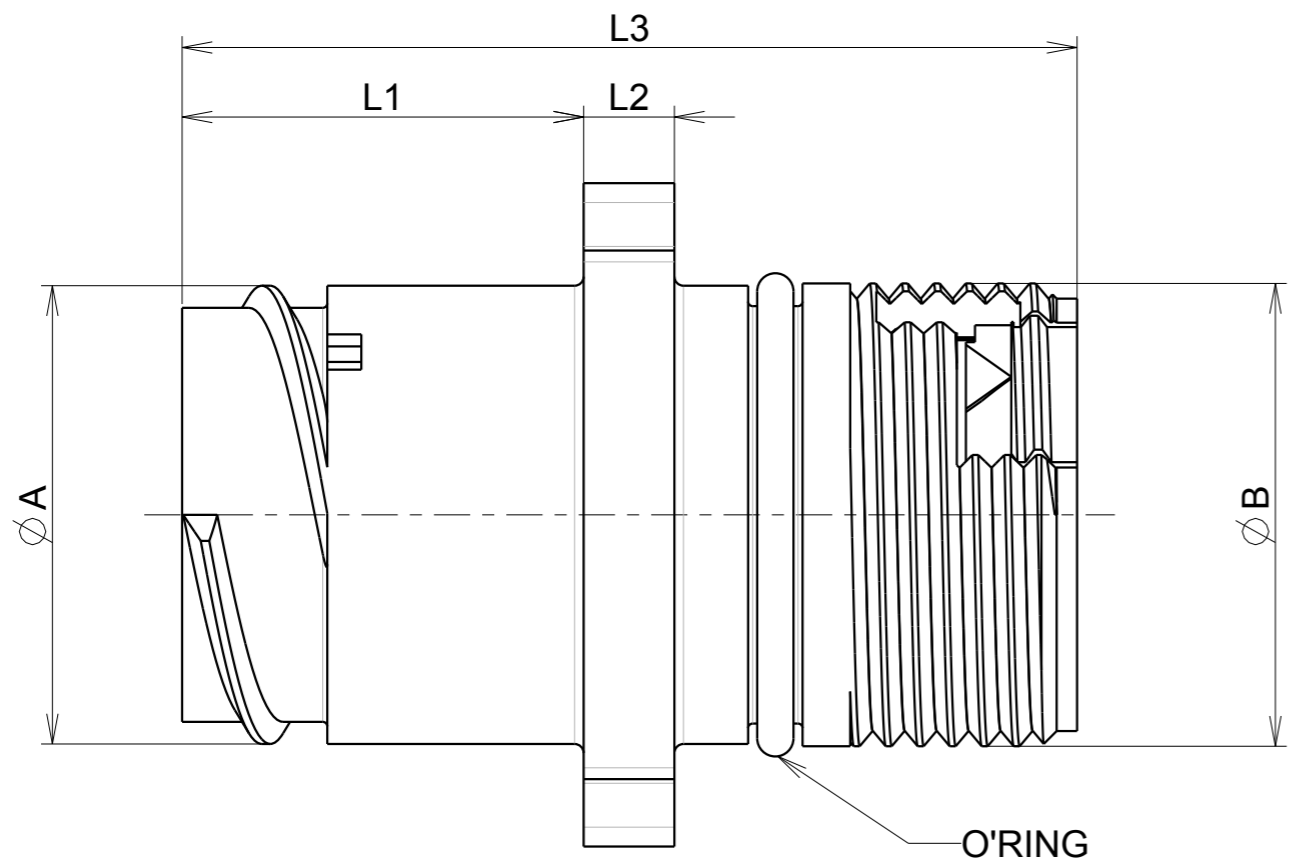


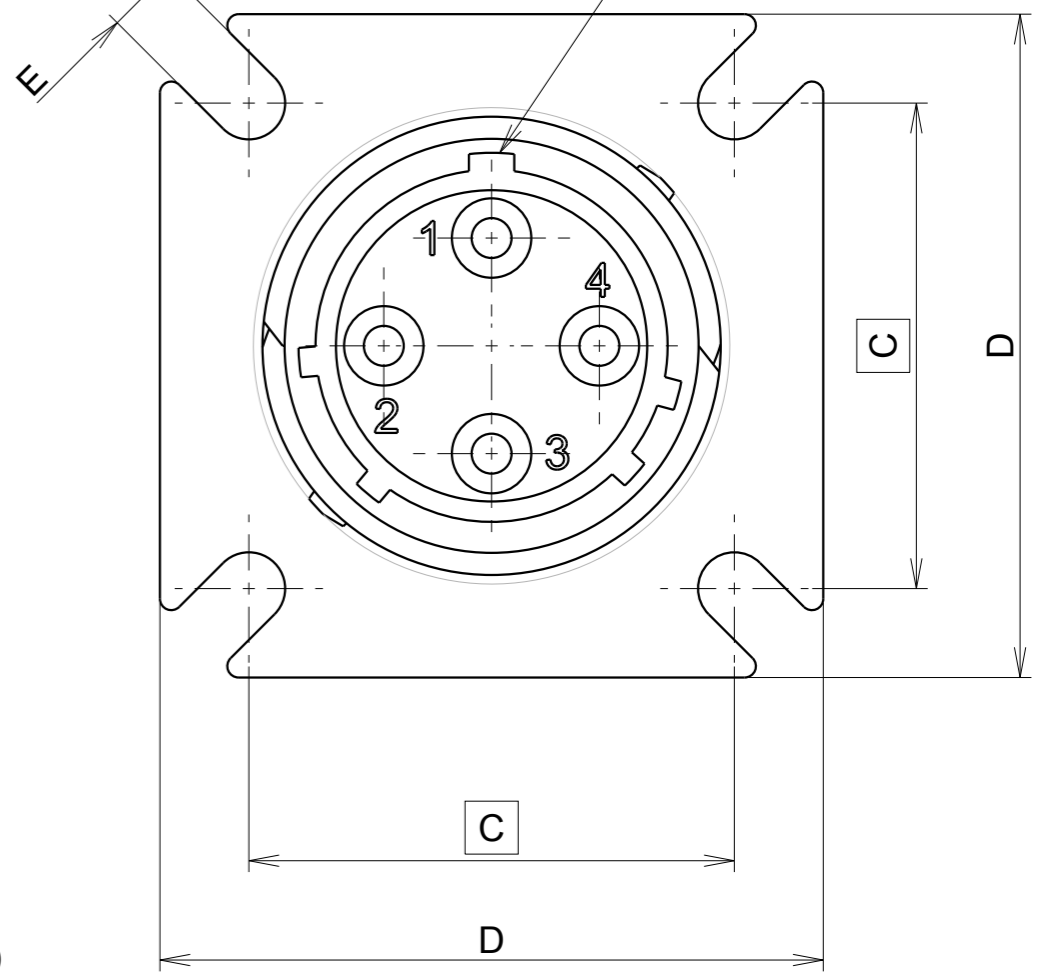
H G F E D C B A

b; 1; RL



PANEL GASKET

MASTER KEY



CL1R - - 00

0 = unsealed (without O'ring and mating seal)
 1= sealed (without panel gasket, only O'ring)
 2= sealed (panel gasket + O'ring)

Shell Sizes	Cts Layout	Cts Qty	Ø Cts	ØA ±0.2	ØB	L1 ±0.4	L2 ±0.2	L3 max	C min./max.	D ±0.4	E ±0.2
1	1 2	4 9	1.6 mm 1.0 mm	21	PG 13	18	4	42.4	21.1/23.3	29.25	3.2
2	1 2	9 14	1.6 mm 1.0 mm	24.5	M24x1.50	18	4	42.4	24.3/24.9	30.9	3.2
3	1 2	18 31	1.6 mm 1.0 mm	29	PG21	18	4	42.4	28.3/29.7	35.6	3.8
4	1 2	26 40	1.6 mm 1.0 mm	40.5	M40x1.50	18	4	42.4	36.2/40.0	47.5	3.8

CUSTOMER DRAWING

b	09/04/13	Updated drawing		
ISS	DATE	Latest modification - by:		MOD N°
Designed by: <i>brioux</i>		Date: 16/09/11	CUSTOMER DRAWING	
TITLE		Female receptacle CLIPPER Shell 1-2-3-4		
Scale	1/1	General linear Tolerances: ± 0.2	NPRDS / PROJECT JCL1	
SOURIAU		WWW.SOURIAU.COM		This document is the property of SOURIAU It must not be reproduced or communicated without permission
FORMAT	A3	SOURIAU DRG N° C59-JCL1-A		SHEET 1/1

NOT EXPORT CONTROLLED

H G F E D C B A