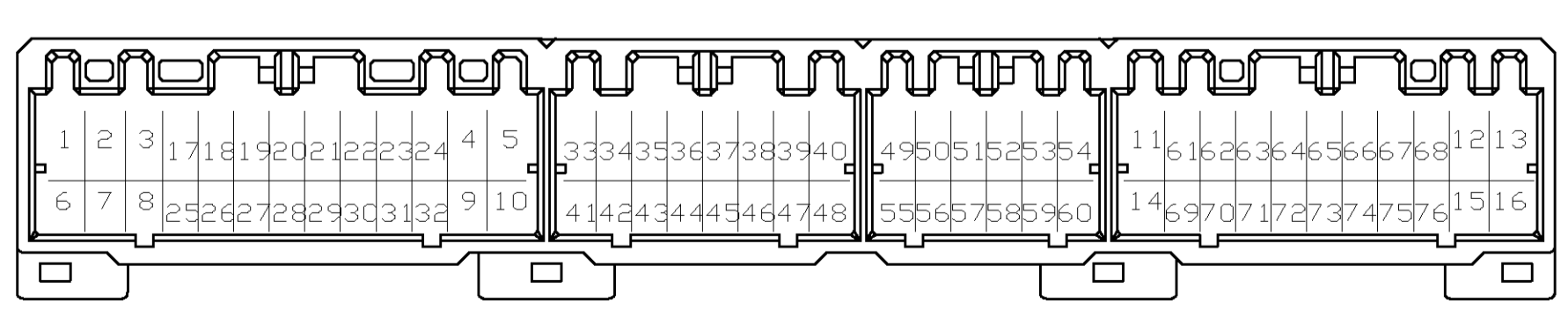
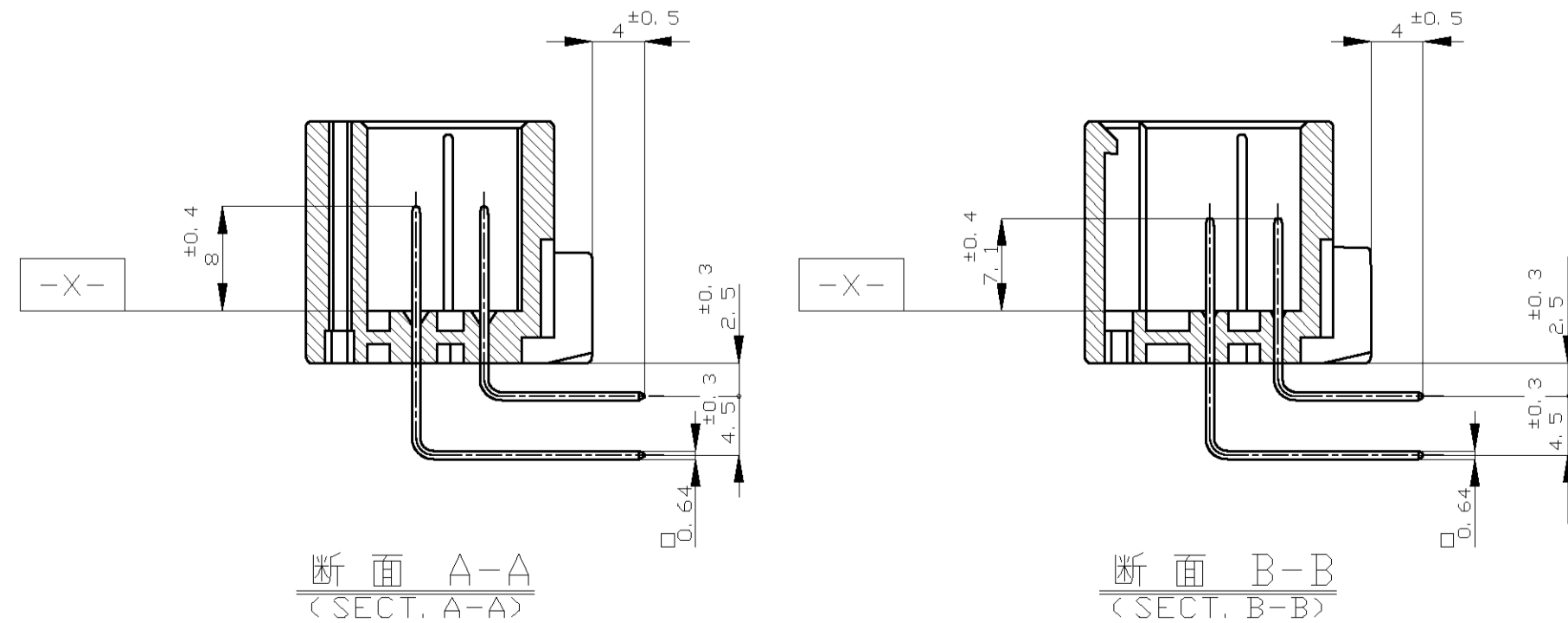


- △ [X-] 図から2mmの範囲で測定
- 嵌合相手ハウジング型; 174516, 174515, 174514, 174913  
917992, 917989, 917981, 917975
- 推奨取付ねじ: JIS B1115, B1122 ケツピンねじ, なべ2種  
呼び径3, 長さ6mm以下 (挿付トルク: 0.4N-cm以下)  
B1115, B1122
- 適用製品規格番号: 108-5280, 108-5342
- 回路番号: 右図参照のこと
- パワ回路 ① ~ ⑩
- シグナル回路 ⑪ ~ ⑲
- 適用製品規格のアプレックス及びIDマークを  
カラーレットマークにて表示

- △ MUST BE KEPT BETWEEN [X-] AND 2
- 2 THE MATING PLUG HSG. PART NUMBER; 174516, 174515, 174514, 174913  
917992, 917989, 917981, 917975
- 3 RECOMMENDED MOUNTING SCREW; 3mm DIA, 6mm LENGTH (MAX.)  
PAN HEAD, CLASS 2 TAPPING SCREW SPECIFIED IN JIS  
B1115, B1122  
(TIGHTENING TORQUE) 0.4N-cm MAX.)
- 4 APPLICABLE PRODUCT SPEC NO. 108-5280, 108-5342
- △ CIRCUIT NUMBER
- POWER CIRCUIT NO. ① - ⑩
- SIGNAL CIRCUIT NO. ⑪ - ⑲
- △ INDICATED PREFIX AND ID MARK OF PRODUCT P/N BY HOT MARK



OBsolete	9	SELECTIVE-TIN TIN-LEAD	PRE-TIN x 76 SELECTIVE GOLD x 7	-	49, 50, 52, 53, 68 70, 74	WHITE	9-178780-1
	8	TIN-LEAD	PRE-TIN x 69 SELECTIVE GOLD x 10	-	24, 31, 39, 44~47 49, 55, 64	GRAY	8-178780-6
	7	TIN-LEAD	PRE-TIN x 66 SELECTIVE GOLD x 14	-	24, 31, 39, 40 42~50, 55	GRAY	7-178780-6
	6	TIN-LEAD	PRE-TIN x 62 SELECTIVE GOLD x 28	-	25~32, 35~40 43~52, 55~58	YELLOW	6-178780-7
	5	TIN-LEAD	PRE-TIN x 48 SELECTIVE GOLD x 28	-	25~32, 35~40 43~52, 55~58	GRAY	5-178780-6
OBsolete	5	TIN-LEAD	PRE-TIN x 48 SELECTIVE GOLD x 28	-	25~32, 35~40 43~52, 55~58	BLACK	5-178780-2
	5	TIN-LEAD	PRE-TIN x 48 SELECTIVE GOLD x 28	-	25~32, 35~40 43~52, 55~58	WHITE	5-178780-1
	4	TIN-LEAD	PRE-TIN x 48 SELECTIVE GOLD x 28	-	23, 24, 31~51 55~57, 63, 64	YELLOW	4-178780-7
	4	TIN-LEAD	PRE-TIN x 48 SELECTIVE GOLD x 8	-	49, 50, 52, 53, 68 70, 71, 74	GRAY	4-178780-6
	3	TIN-LEAD	PRE-TIN x 68 SELECTIVE GOLD x 12	-	26~32, 40, 49~52	YELLOW	3-178780-7
	3	TIN-LEAD	PRE-TIN x 64 SELECTIVE GOLD x 60	-	17~76	GRAY	3-178780-6
	2	TIN-LEAD	PRE-TIN x 16 SELECTIVE GOLD x 24	9	23, 24, 31, 33~49 55, 63, 64	YELLOW	2-178780-7
	2	TIN-LEAD	PRE-TIN x 52 SELECTIVE GOLD x 19	-	22, 24, 31, 34, 39~40 42~48, 49, 50, 55, 56, 63, 64	GRAY	2-178780-6
	0	TIN-LEAD	PRE-TIN x 76 SELECTIVE-TIN (BRIGHT) x 76	-	-	LIGHT GRAY	178780-9
	1	SELECTIVE-TIN (MATE)	SELECTIVE-TIN (BRIGHT) x 76	-	-	WHITE	178780-3
	0	TIN-LEAD	PRE-TIN x 76	-	-	WHITE	178780-1

THIS DRAWING IS A CONTROLLED DOCUMENT.

DMN: M. KADOSAKI 120C05  
CHK: T. SHINOHARA 120C05  
APPROV: K. BETSUJI 120C05

TE Connectivity

76POS CAP HOUSING ASSY  
.040/.070 SERIES HYBRID I/O CONN. (NON FLANGE)

SIZE: A1 00779 178780

CUSTOMER DRAWING

SCALE: 2:1 SHEET: 1 OF 1 REV: PS