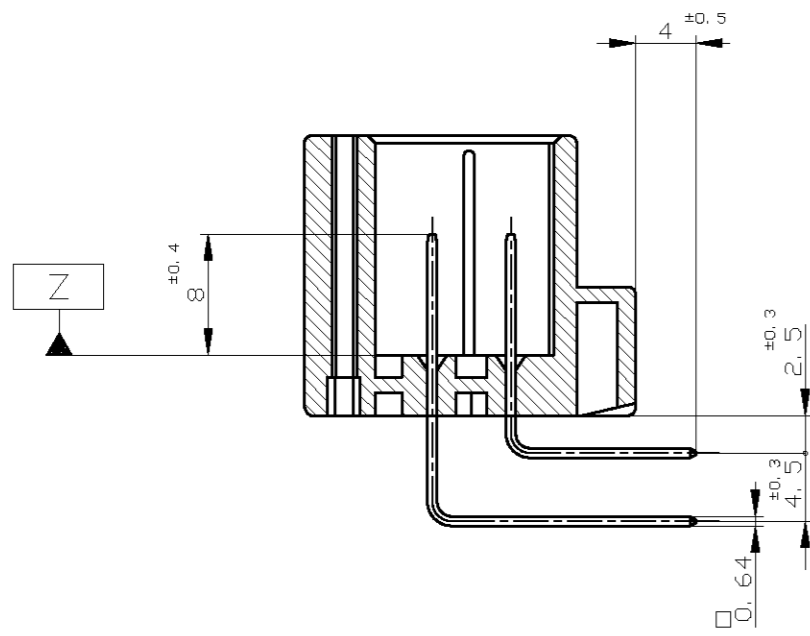
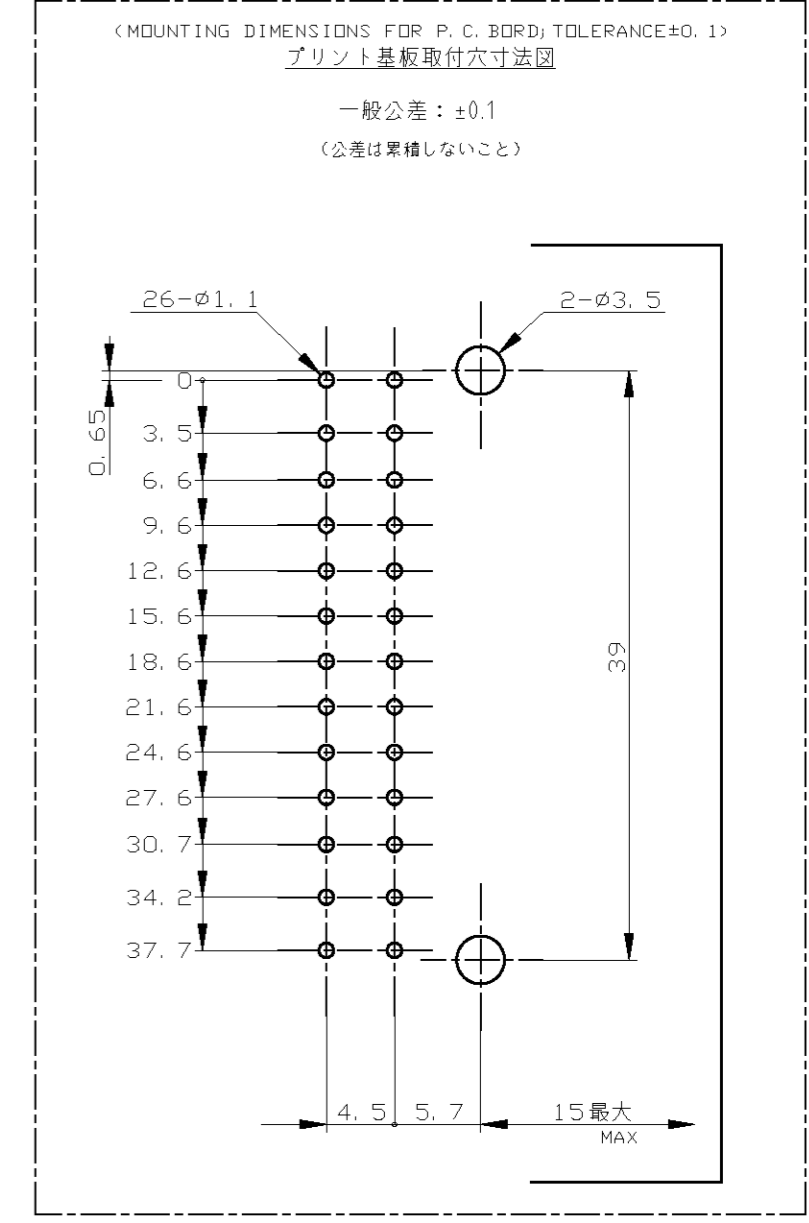
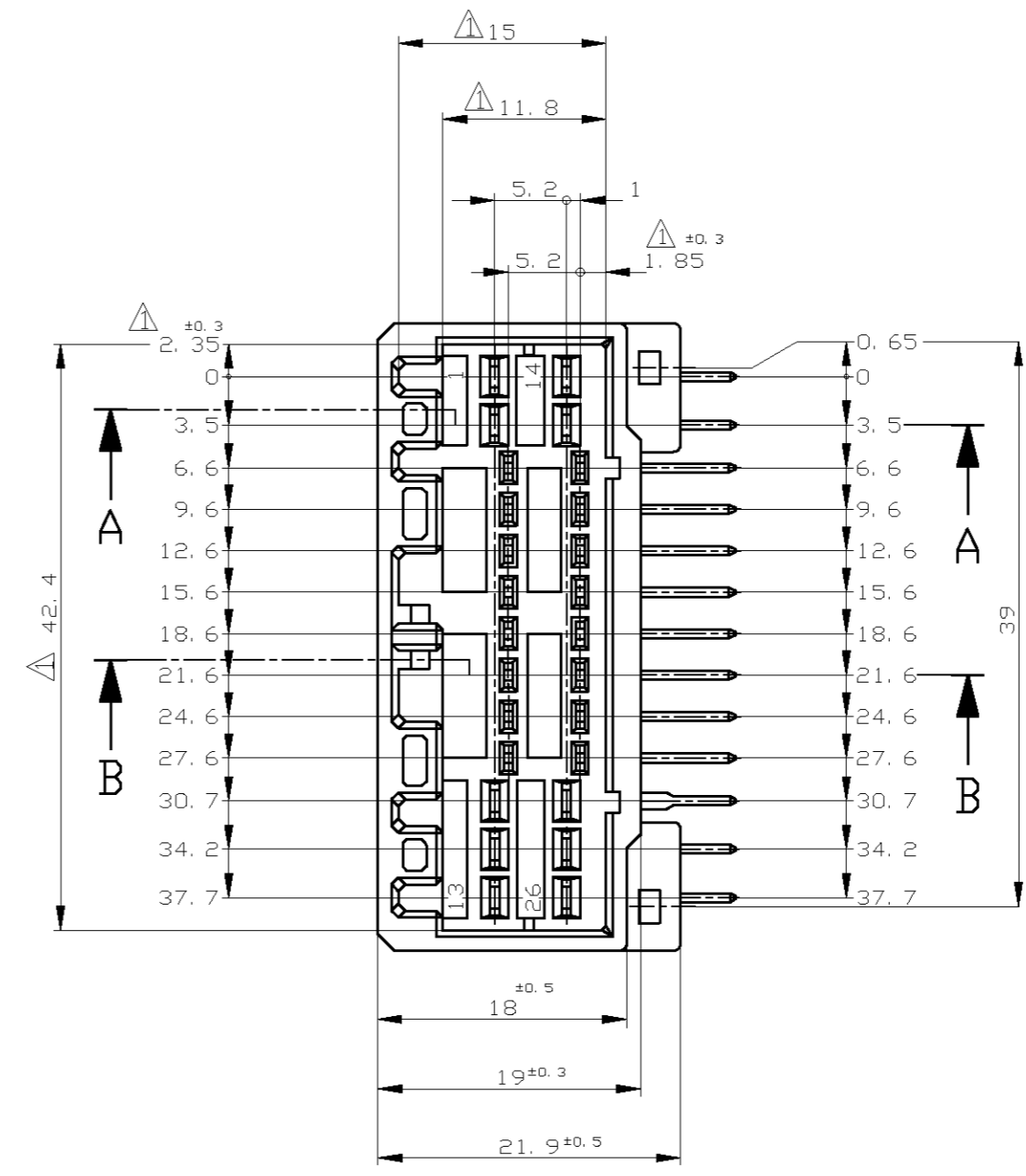
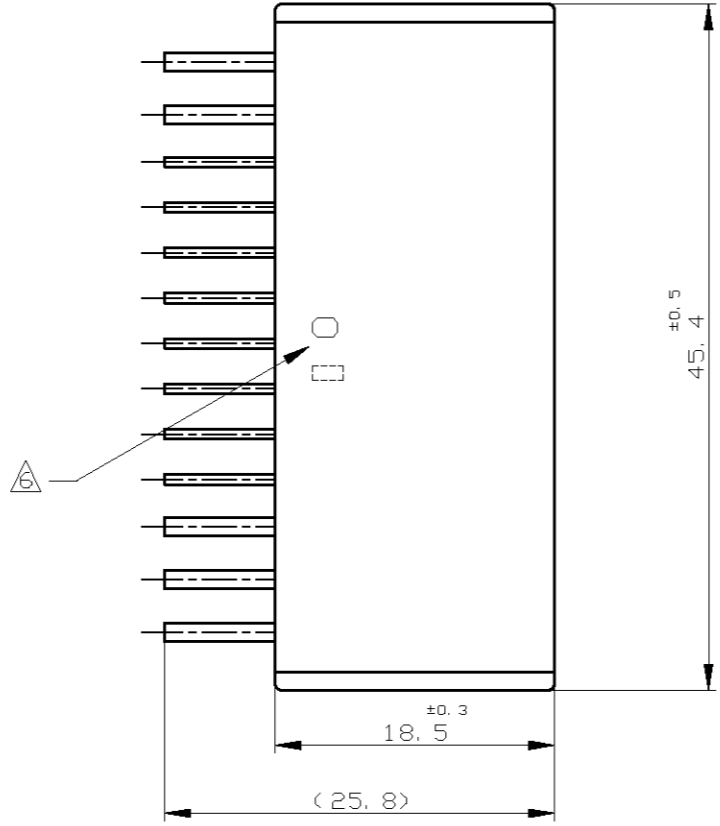
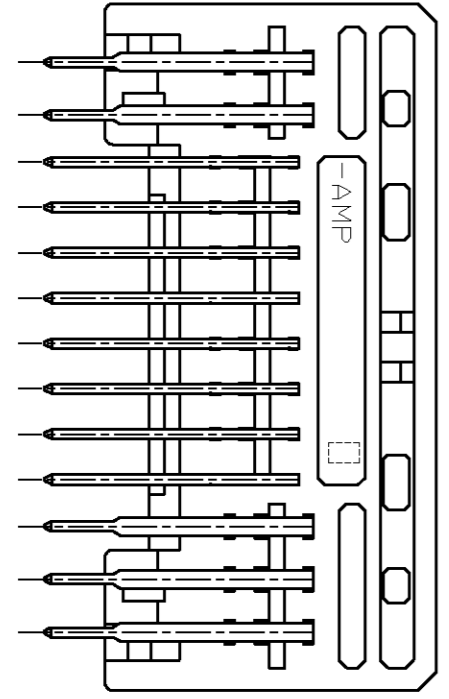
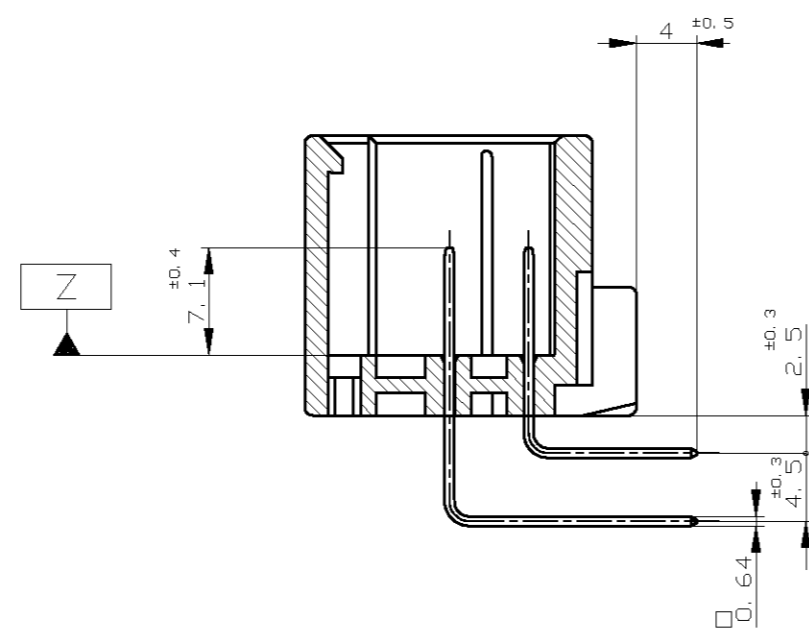


THIS DRAWING IS UNPUBLISHED. RELEASED FOR PUBLICATION  
 © COPYRIGHT - By - ALL RIGHTS RESERVED.

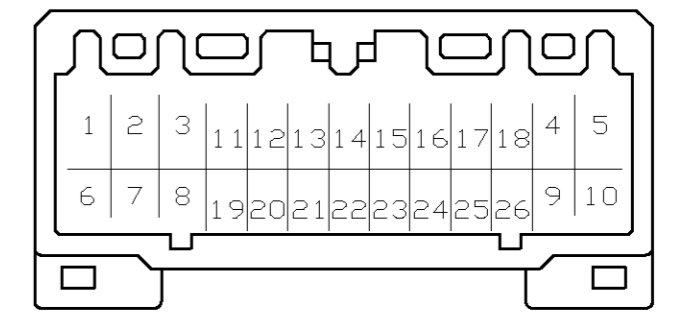
LOC	DIST	REVISONS				
J	-	P	LTR	DATE	DWN	APVD
		F4	REVISED	ECR-11-010934	01JUN11	TS KB



断面 A-A  
(SECT. A-A)



断面 B-B  
(SECT. B-B)



- ① MUST BE KEPT BETWEEN [-Z-] AND 2
- 2. THE MATING PLUG HSG.PART NUMBER: 174516, 917992
- 3. RECOMMENDED MOUNTING SCREW; 3mm DIA, 6mm LENGTH (MAX.) PAN HEAD, CLASS 2 TAPPING SCREW SPECIFIED IN JIS B1115, B1122 (TIGHTENING TORQUE: 0.4N-m (4Kg-cm) MAX)
- 4. APPLICABLE PRODUCT SPEC NO.: 108-5280, 108-5342
- ⑤ CIRCUIT NUMBER  
POWER CIRCUIT NO. ① ~ ⑩  
SIGNAL CIRCUIT NO. ⑪ ~ ⑳
- ⑥ INDICATED PREFIX AND ID MARK OF PRODUCT P/N BY HOT MARK

- ① [-Z-] 面から2mmの範囲で測定
- 2. 嵌合相手ハウジング型: 174516, 917992
- 3. 推奨取付ねじ: JIS B1115, B1122 タッピングねじ, なべ2種 呼び径3, 長さ6mm以下 (締付けトルク; 0.4N-m (4kg-cm) 以下)
- 4. 適用製品規格番号: 108-5280, 108-5342
- ⑤ 回路番号: 上図参照のこと  
パワー回路 ① ~ ⑩  
シグナル回路 ⑪ ~ ⑳
- ⑥ 適用製品型番のブリフィックス及びIDマークを カラーホットマークにて表示

4	TIN-LEAD	SELECTIVE GOLD (部分金めっき) × 2 PRE-TINNED (錫めっき) × 24	///	⑭, ⑳	GRAY 灰色	4-178811-6
4	TIN-LEAD	SELECTIVE GOLD (部分金めっき) × 2 PRE-TINNED (錫めっき) × 24	///	⑭, ⑳	NATURAL 白色	4-178811-1
3	TIN-LEAD	SELECTIVE GOLD (部分金めっき) × 16 PRE-TINNED (錫めっき) × 10	///	⑪ ~ ⑱	BLACK 黒色	3-178811-2
2	TIN-LEAD	SELECTIVE GOLD (部分金めっき) × 6 PRE-TINNED (錫めっき) × 20	⑨	⑱, ⑲, ⑳ ~ ㉔	GRAY 灰色	2-178811-6
0		PRE-TINNED 錫メッキ × 26	///	///	YELLOW 黄色	178811-7
0		PRE-TINNED 錫メッキ × 26	///	///	GRAY 灰色	178811-6
5	SELECTIVE-TIN (MATTE) 部分錫めっき	SELECTIVE GOLD (部分金めっき) × 26	① ~ ⑩	⑪ ~ ⑱	GRAY 灰色	178811-3
1	SELECTIVE-TIN (MATTE) 部分錫めっき	SELECTIVE-TIN (錫めっき) × 26	///	///	WHITE 白色	178811-2
0		PRE-TINNED 錫メッキ × 26	///	///	WHITE 白色	178811-1
MARKING	SOLDERING SIDE 半田付け部	CONTACT SIDE 接触部	POWER CIRCUIT NO. パワー回路	SIGNAL CIRCUIT NO. シグナル回路	HOUSING COLOR ハウジング色	PART NO
	FINISH OF CONTACT タブ仕上 (本数)		CIRCUIT NO. OF GOLD PLATED CONTACT 金メッキ施子使用回路番号			

THIS DRAWING IS A CONTROLLED DOCUMENT.

DIMENSIONS: 単位: 純 mm	TOLERANCES UNLESS OTHERWISE SPECIFIED: 一般公差	DWN M.KADOSAKI 17MAY05	<p>TE Connectivity</p> <p>26Pos CAP HOUSING ASSY 040/070 HYBRID I/O CONNECTOR</p>
0 PLC ± 1 PLC - 2 PLC - 3 PLC ± 4 PLC ± ANGLES ±	FINISH 仕上	CHK T.SHINOHARA 17MAY05	
0 < * i 10 : ±0.2 10 < * i 30 : ±0.25 30 < * i 100 : ±0.3 ANGLES : ±3°	MATERIAL 材料 HOUSING : PBT CONTACT : BRASS	APVD K.BETSUI 17MAY05	

NAME 名称: 26Pos CAP HOUSING ASSY  
040/070 HYBRID I/O CONNECTOR

SIZE: A2 CAGE CODE: 00779 DRAWING NO: 178811 RESTRICTED TO: -

SCALE: 2:1 SHEET: 1 of 1 REV: F4