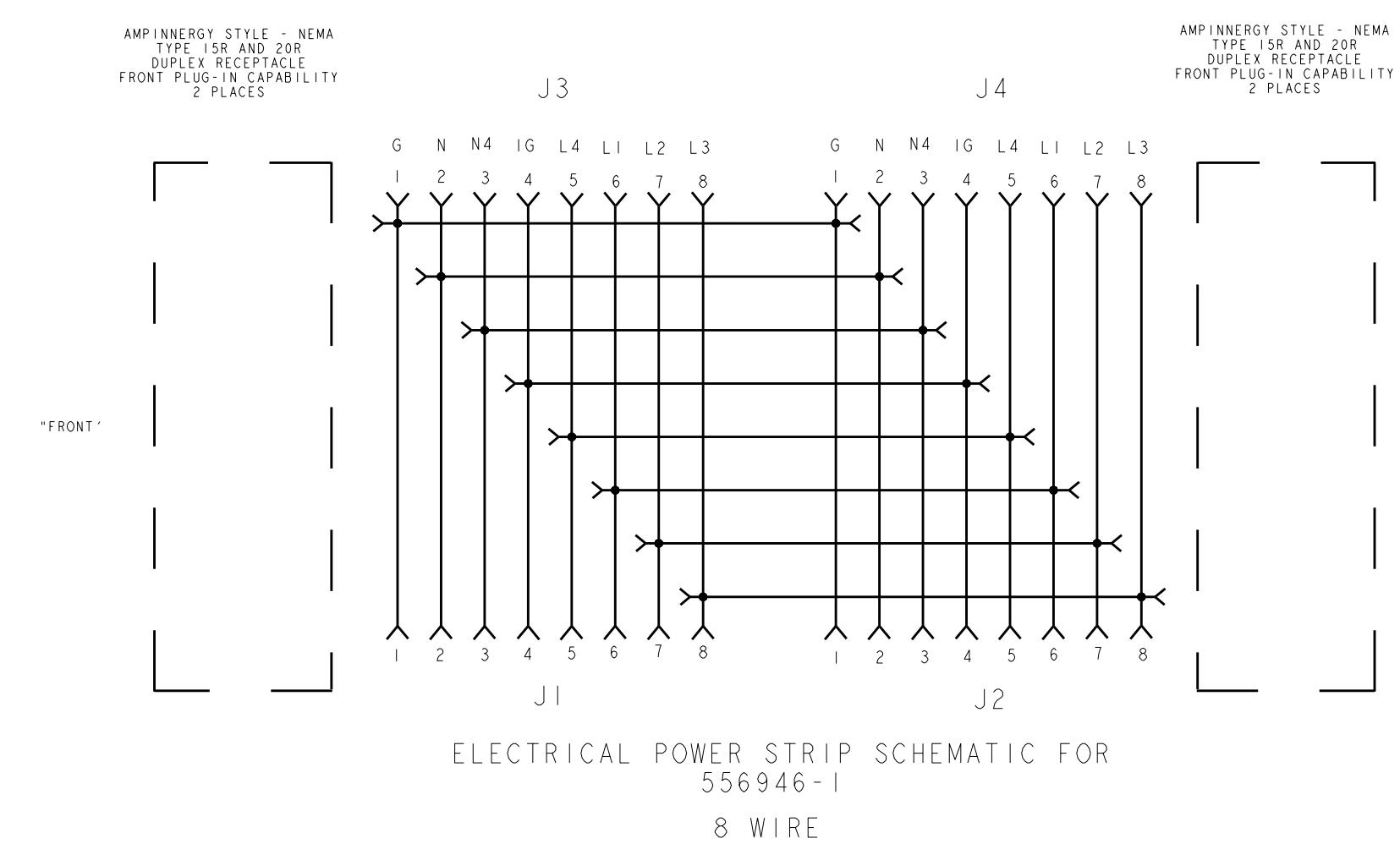
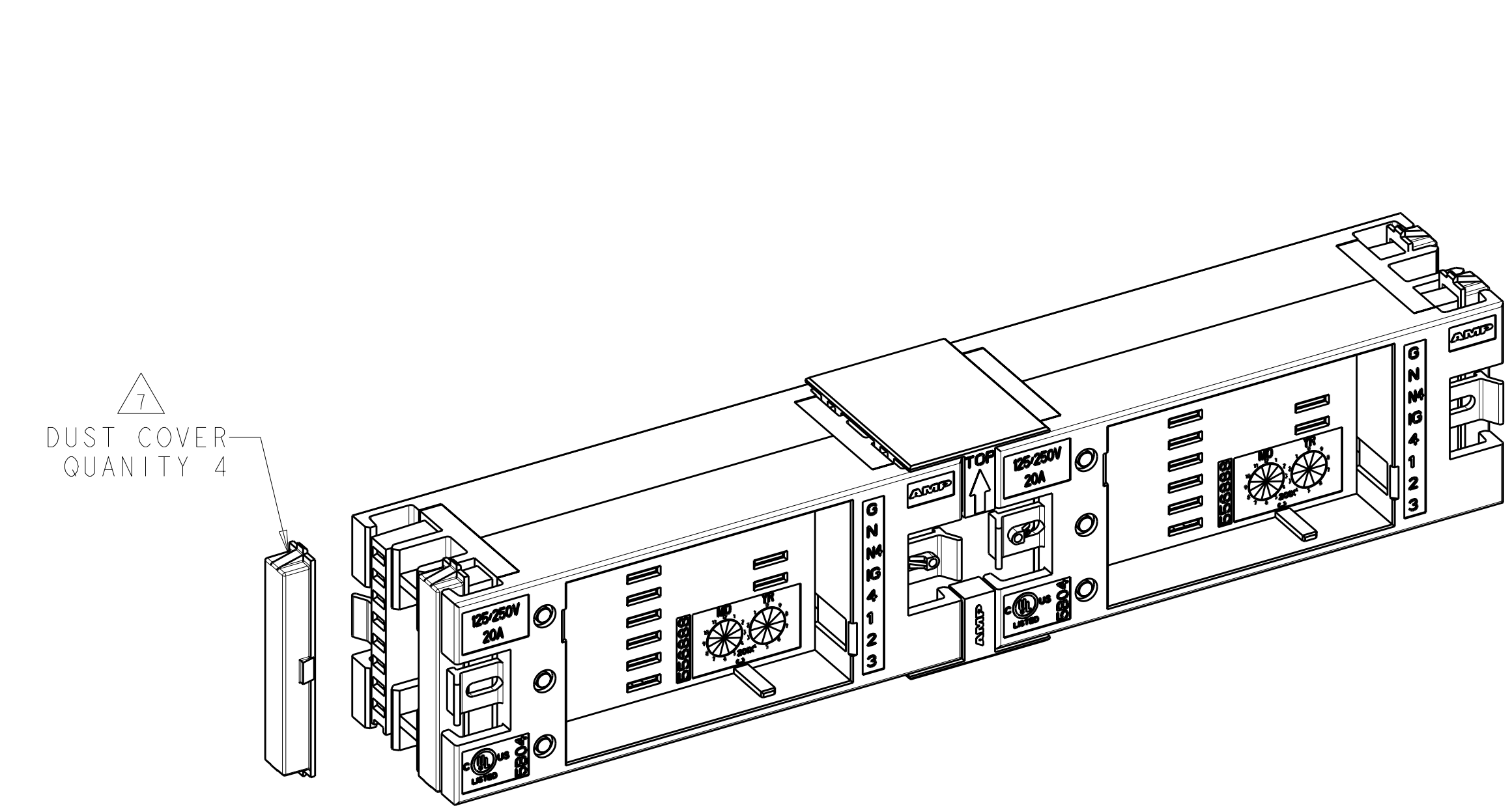
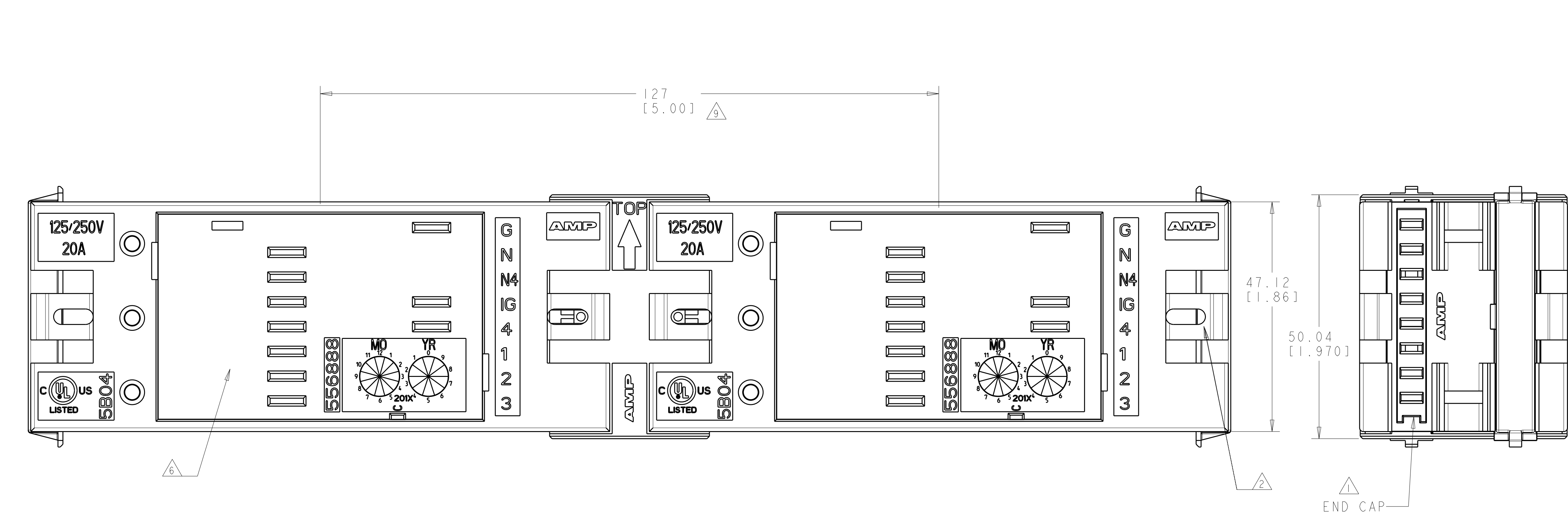
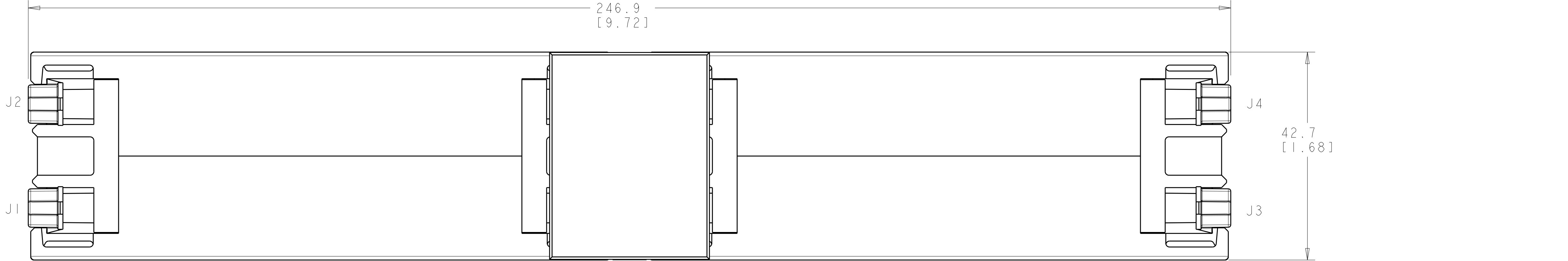


LOC	DIST	REV	DATE	BY	CHKD	APVD
HM	00	B	13FEB2007	L. SMITH	F. LINCOLN	FL
		C	10JAN2012	L. SMITH	F. LINCOLN	SJ



- 1. END CAP MATES WITH SHARED NEUTRAL 8-WIRE POWER CONNECTOR CABLE ASSEMBLY. KEYING FEATURE MAINTAINS CORRECT POLARITY OF MATING POWER CONNECTORS.
- 2. POSITIVE LATCHING TO POWER CONNECTOR.
- 3. MATERIAL: HOUSING - JUNCTION BOX HOUSING AND END CAP: POLYCARBONATE, UL94V-0 CLASSIFICATION. JUNCTION BOX CONTACTS - COPPER ALLOY, SELECTIVELY TIN PLATED AND SILVER PLATED .00508 [0.000200] MINIMUM THICKNESS. END CAP DUST COVERS - NYLON 6/6.
- 4. ALL DIMENSIONS ARE NOMINAL UNLESS OTHERWISE SPECIFIED.
- 5. RATING: 125/250VAC, 20A (PER LINE).
- 6. THIS AREA OF THE JUNCTION BOX MATES WITH AMPINNERGY SHARED NEUTRAL 8-WIRE DUPLEX RECEPTACLES. KEYING FEATURE MAINTAINS CORRECT POLARITY OF MATING DUPLEX RECEPTACLES.
- 7. REMOVE DUST COVERS TO CONNECT POWER CONNECTION(S). REPLACE DUST COVER WHEN END CAP CONNECTION IS NOT IN USE.
- 8. APPLICATION: AMPINNERGY MODULAR POWER DISTRIBUTION SYSTEM, A MANUFACTURED WIRING SYSTEM. IN LINE OR END OF LINE JUNCTION BOX ASSEMBLY THAT ACCEPTS UP TO FOUR 15A OR 15/20A SHARED NEUTRAL 8-WIRE DUPLEX RECEPTACLES OF THE SAME OR DIFFERENT LINE DESIGNATIONS. DIFFERENT LINE RECEPTACLES CAN BE USED IN THE SAME JUNCTION BOX ASSEMBLY TO BALANCE LOADS. JUNCTION BOX ASSEMBLY IS DESIGNED TO SPLIT A BRANCH CIRCUIT IN THREE DIRECTIONS.
- 9. REFERENCE DIMENSION, CENTERLINE TO CENTERLINE OF ADJACENT RECEPTACLES.

556946-1
PART NUMBER

THIS DRAWING IS A CONTROLLED DOCUMENT.		DWN: L. SMITH 15DEC2006	TE Connectivity
DIMENSIONS: MME [INCHES]		CHK: L. SMITH 13FEB2007	
TOLERANCES UNLESS OTHERWISE SPECIFIED:		APVD: F. LINCOLN 13FEB2007	NAME: MULTIPLEX JUNCTION BOX ASSEMBLY, WITH OUT LUGS, 8 WIRE
9 PLC ± 1 PLC ± 5 PLC ± 4 PLC ± ANGLES ±	± ± ± ±	PRODUCT SPEC: -	APPLICATION SPEC: -
MATERIAL: -	FINISH: -	WEIGHT: -	RESTRICTED TO: -
CUSTOMER DRAWING		SIZE: A1100779	SCALE: 2:1