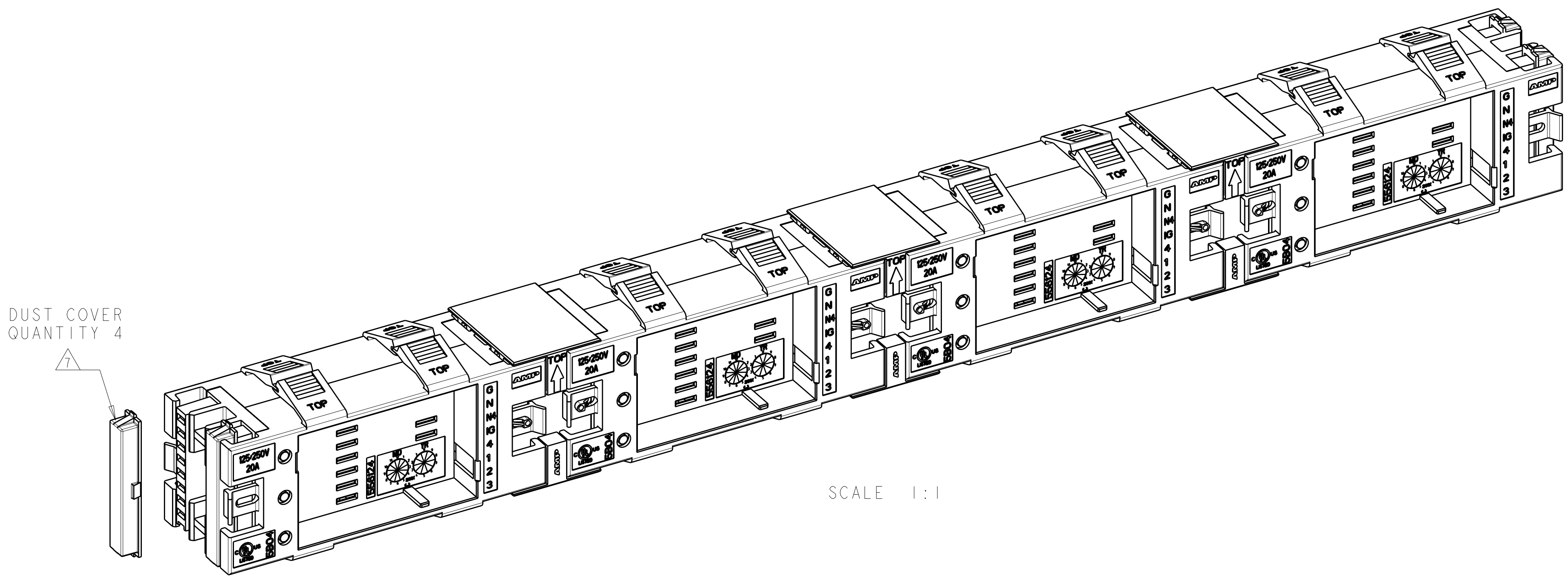
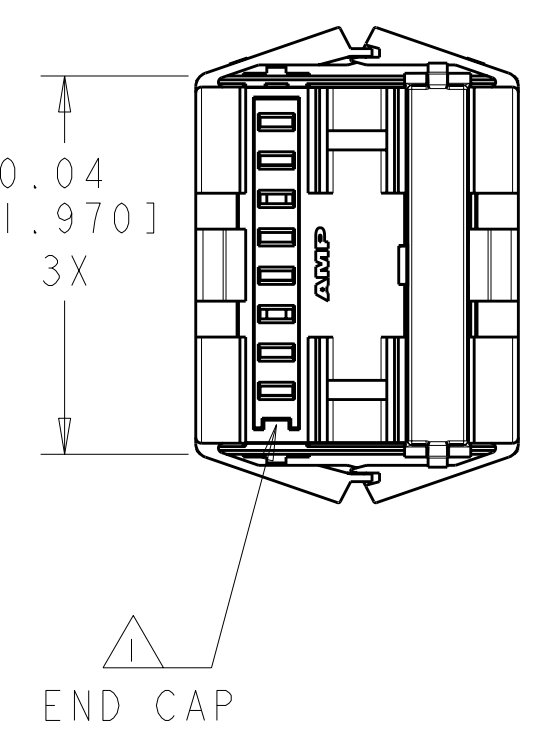
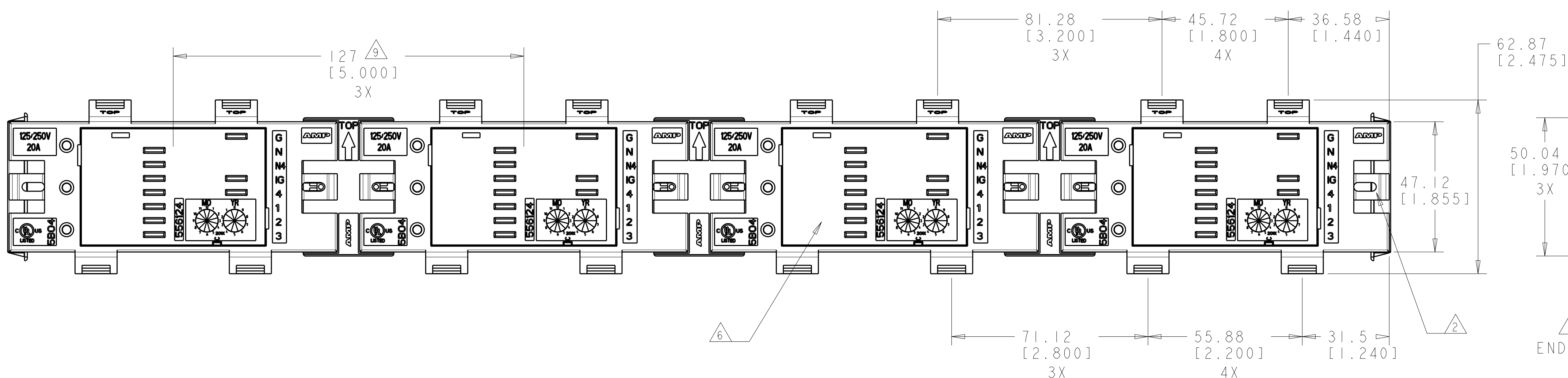
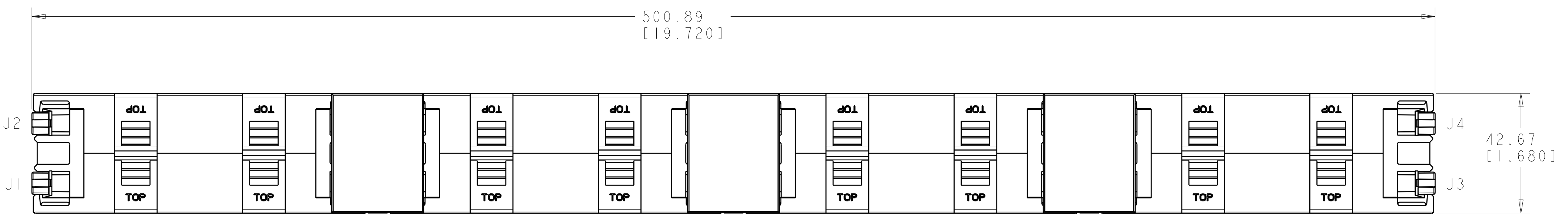


LOC	DIST	REV	DATE	BY	APP'D
HM	00	B	22MAR2007	LHS	FL
		C	15FEB2010	LH	SJ
		D	15SEP2010	JB	SJ



- △ MATES WITH SHARED NEUTRAL (5/8-WIRE) POWER CONNECTOR CABLE ASSEMBLY. KEYING FEATURE MAINTAINS CORRECT POLARITY OF MATING POWER CONNECTORS.
- △ POSITIVE LATCHING TO POWER CONNECTOR.
- △ MATERIAL: HOUSING - JUNCTION BOX HOUSING AND END CAP: POLYCARBONATE, UL94V-0 CLASSIFICATION. JUNCTION BOX CONTACTS - COPPER ALLOY, SELECTIVELY TIN PLATED AND SILVER PLATED.00508 [.000200] MINIMUM THICKNESS.END CAP DUST COVERS - NYLON 6/6.
- △ ALL DIMENSIONS ARE NOMINAL UNLESS OTHERWISE SPECIFIED.
- 5. RATING: 125/250VAC, 20A (PER LINE).
- △ THIS AREA OF THE JUNCTION BOX MATES WITH AMPINERGY DUPLEX RECEPTACLES. KEYING FEATURE MAINTAINS CORRECT POLARITY OF MATING DUPLEX RECEPTACLES.
- △ REMOVE DUST COVERS TO CONNECT POWER CONNECTION(S). REPLACE DUST COVER WHEN END CAP CONNECTION IS NOT IN USE.
- 8. APPLICATION: AMPINERGY MODULAR POWER DISTRIBUTION SYSTEM, A MANUFACTURED WIRING SYSTEM.
 IN LINE OR END OF LINE JUNCTION BOX ASSEMBLY THAT ACCEPTS UP TO EIGHT 15A OR 20A SHARED NEUTRAL (5/8-WIRE) DUPLEX RECEPTACLES OF THE SAME OR DIFFERENT LINE DESIGNATIONS.
 DIFFERENT LINE RECEPTACLES CAN BE USED IN THE SAME JUNCTION BOX ASSEMBLY TO BALANCE LOADS.
 JUNCTION BOX ASSEMBLY IS DESIGNED TO SPLIT A BRANCH CIRCUIT IN THREE DIRECTIONS.
- △ REFERENCE DIMENSION, CENTERLINE TO CENTERLINE OF ADJACENT RECEPTACLES.
- △ SUGGESTED PANEL OR FIXTURE MOUNTING CUTOUT FOR JUNCTION BOX ASSEMBLY. ALLOW 12.7 [.500] CLEARANCE TOP AND BOTTOM. JUNCTION BOX MOUNTING TABS (TOP AND BOTTOM) WILL ACCEPT 12-16 GAGE SHEET METAL THICKNESS.

1479442-1
 PART NO.

DIMENSIONS: MME [INCHES] 9 PLC ± 1 PLC ± 3 PLC ± 5 PLC ± 4 PLC ± ANGLES ±		TOLERANCES UNLESS OTHERWISE SPECIFIED: ±.4 ±.2 ±.1		DWN L. SMITH 25JAN2007 CHK F. LINCOLN 22MAR2007 APVD F. LINCOLN 22MAR2007		Tyco Electronics Harrisburg, PA 17105-3608	
MATERIAL: 3		FINISH:		NAME: QUADPLEX JUNCTION BOX ASSEMBLY, SNAP IN MOUNT, 8 WIRE		SIZE: CAGE CODE: DRAWING NO: RESTRICTED TO:	
CUSTOMER DRAWING		WEIGHT:		A 00779 C-1479442		SCALE: 1:1 SHEET 1 OF 2 REV D	

