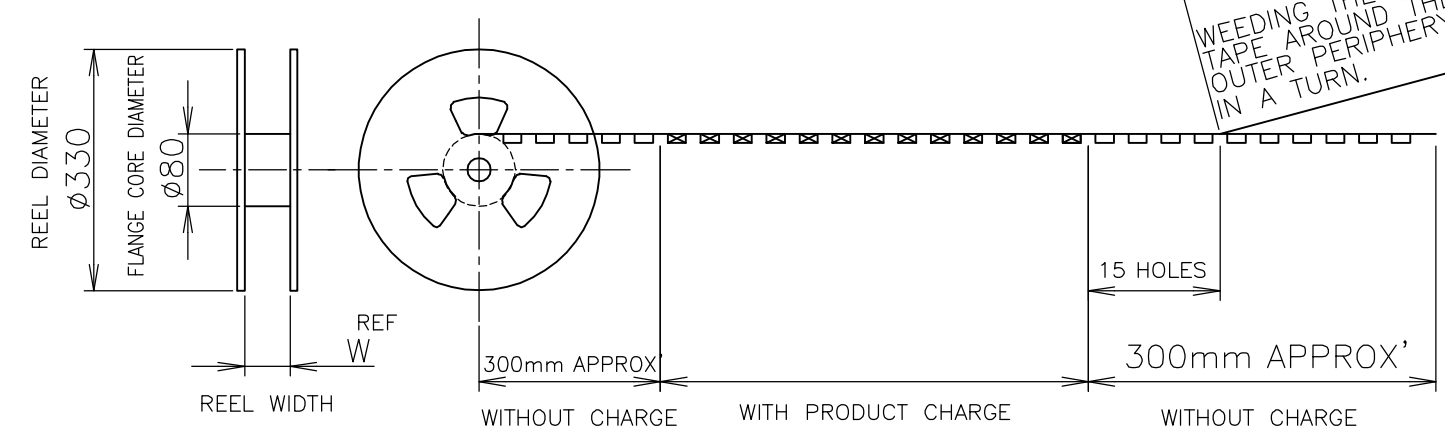
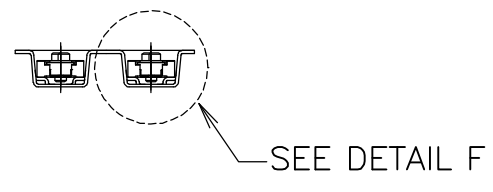
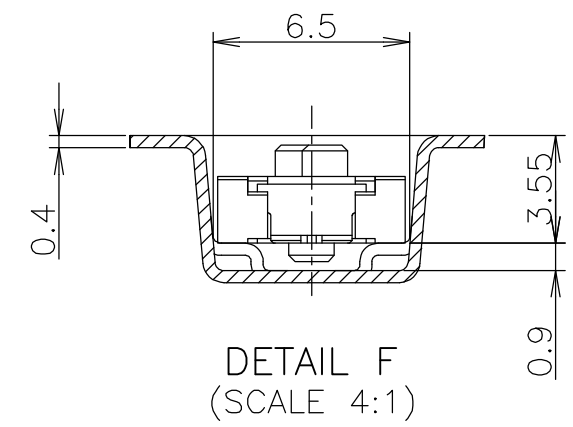
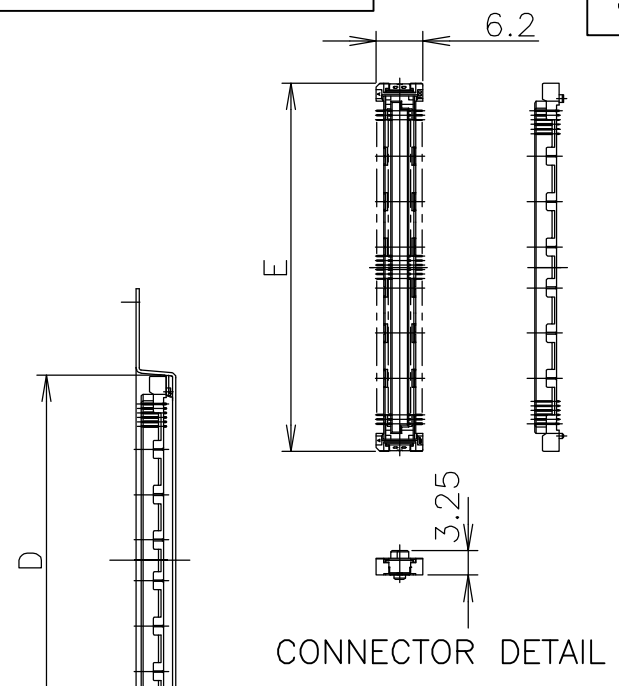
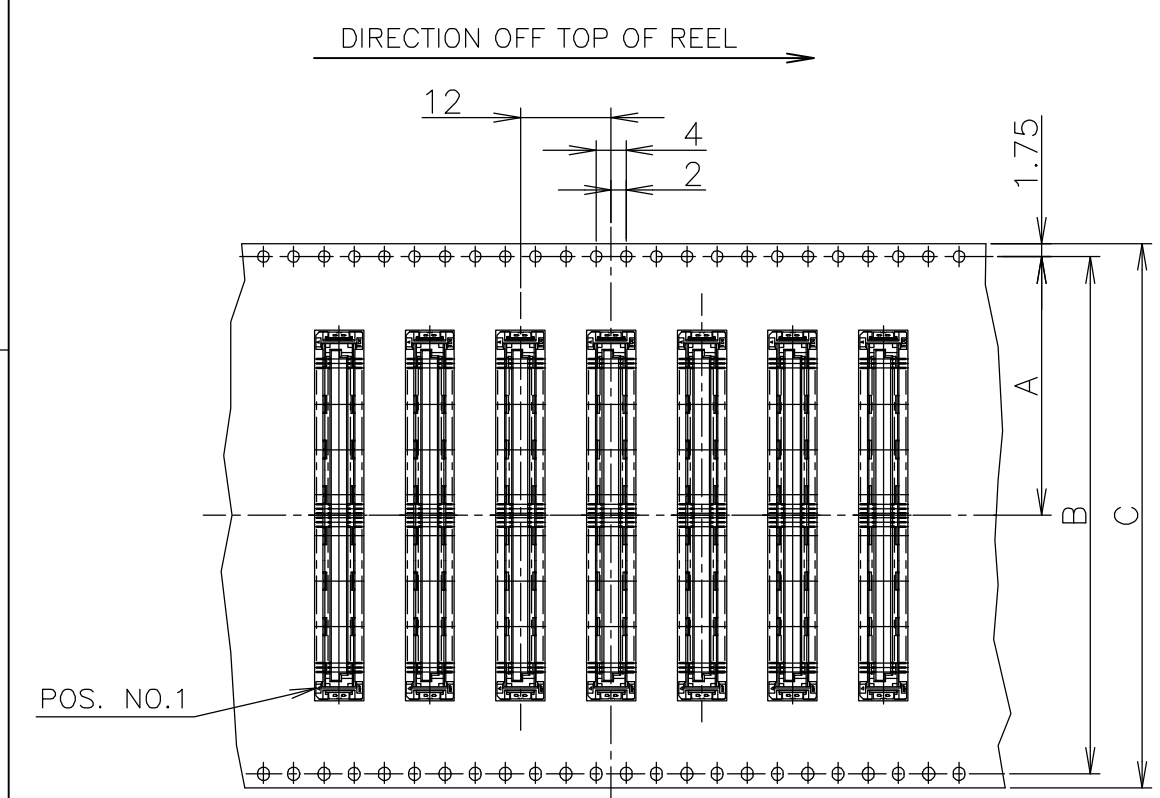


THIS DRAWING IS UNPUBLISHED. RELEASED FOR PUBLICATION DEC , 1996.  
 © COPYRIGHT 1996 BY TYCO ELECTRONICS CORPORATION. ALL RIGHTS RESERVED.

LOC		DIST		REVISIONS			
J		P	LTR	DESCRIPTION	DATE	DWN	APVD
			B	RELEASED	26JUN06	Y.O	T.K

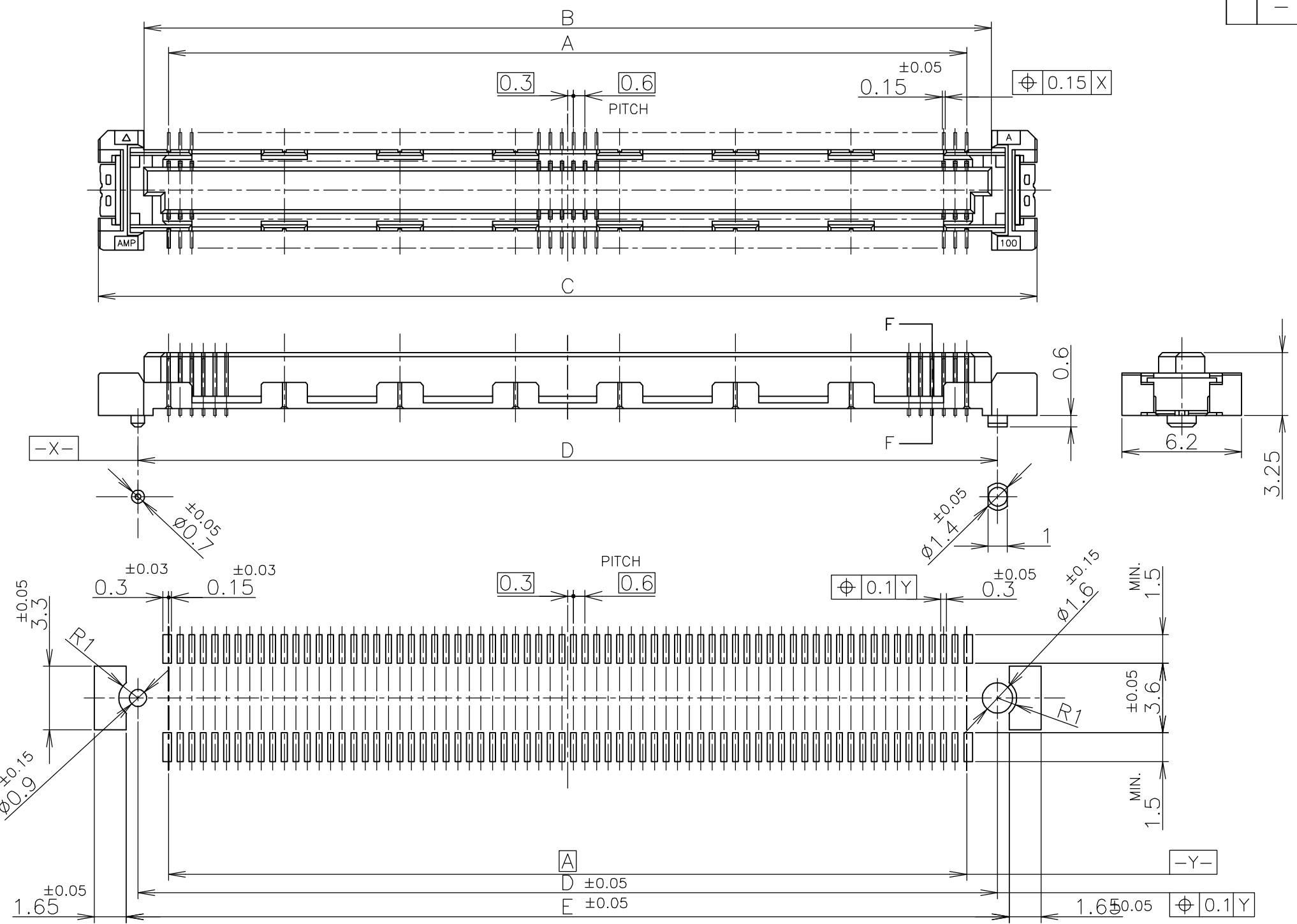


WEEDING THE COVER TAPE AROUND THE OUTER PERIPHERY IN A TURN.

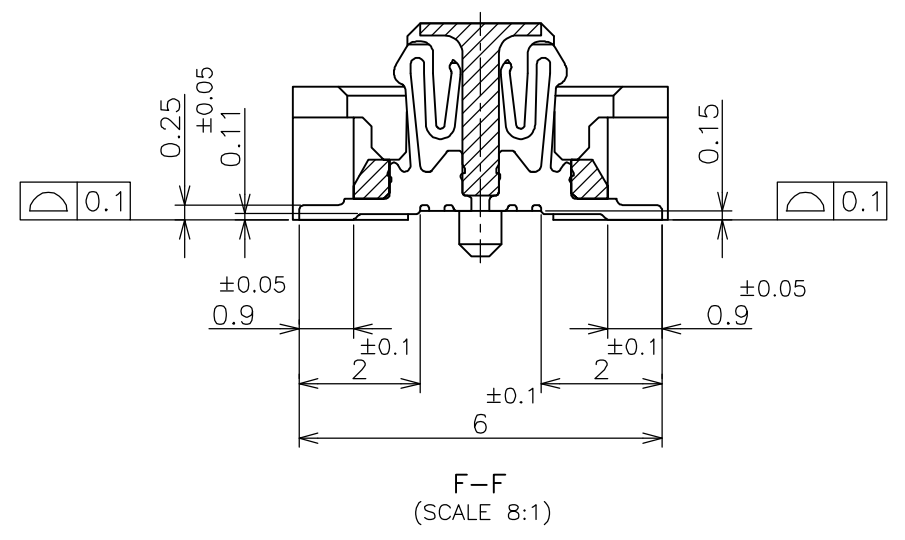
AVAILABLE	1000	37.5	21.7	22	32	28.4	14.2	50	1939314-3
TOOLING STATUS	QTY.	W	E	D	C	B	A	POS.	PART NO.

THIS DRAWING IS A CONTROLLED DOCUMENT.		DWN	Y.SHINO	24APR06	Tyco Electronics AMP K.K. Kawasaki, Japan						
DIMENSIONS: MM		CHK	M.IWASAKI	26JUN06							
TOLERANCES UNLESS OTHERWISE SPECIFIED:		APVD	T.KUSUHARA	26JUN06	NAME						
0 PLC ± 0.2 1 PLC ± 0.2 2 PLC ± 0.2 3 PLC ± 0.2 4 PLC ± 0.2 ANGLES ± 5°		PRODUCT SPEC			EMBOSS ASSY FH 0.6BTB CONNECTOR						
MATERIAL		FINISH			APPLICATION SPEC			108-60047		REC 4H STD TYPE	
		WEIGHT			114-5255			AU-PLATED 0.00076mm		RESTRICTED TO	
CUSTOMER DRAWING					SIZE	A3	CAGE CODE	00779	DRAWING NO	C-1939314	
					SCALE	1:1		SHEET	1	OF	2
					REV		B				

LOC	DIST	REVISIONS					
J		P	LTR	DESCRIPTION	DATE	DWN	APVD
		-		SEE SHEET 1	-	-	-



- ① MATERIAL : HOUSING : HIGH TEMP THERMO PLASTIC  
UL94V-0  
CONTACT : COPPER ALLOY
- ② FINISH : CONTACT:  
UNDER PL Ni 0.0013mm MIN ALL OVER.  
CONTACT AREA 0.00076mm MIN Au PL.  
SOLDERING AREA 0.00005mm MIN Au PL.  
SOLDER PEG:  
UNDER PL Ni 0.002mm MIN ALL OVER.  
ALL OVER TIN PL 0.002mm MIN.
- ③ SEE PACKING ASSY DWG AS FINAL ASSY PART NUMBER.



RECOMMENDED P.C. BOARD LAYOUT

AVAILABLE	18.8	17.6	21.7	17	14.4	50
TOOLING STATUS	E	D	C	B	A	POS

THIS DRAWING IS A CONTROLLED DOCUMENT.		DWN	Y.SHINO	24APR06	<b>tyco</b> Electronics	Tyco Electronics AMP K.K. Kawasaki, Japan		
DIMENSIONS: MM		CHK				NAME		
TOLERANCES UNLESS OTHERWISE SPECIFIED:		APVD			EMBOSS ASSY FH 0.6BTB CONNECTOR REC 4H STD TYPE AU-PLATED 0.00076mm			
0 PLC ± 0.2		PRODUCT SPEC			SIZE	CAGE CODE	DRAWING NO	RESTRICTED TO
1 PLC ± 0.2		APPLICATION SPEC			A3	00779	C-1939314	
2 PLC ± 0.2		WEIGHT			CUSTOMER DRAWING			SCALE
3 PLC ± 0.2								1:1
4 PLC ± 0.2								SHEET
ANGLES ± 5'								2 OF 2
FINISH								REV
								B