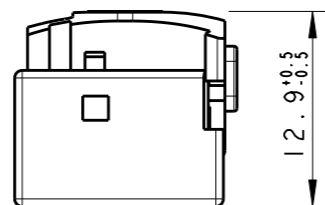
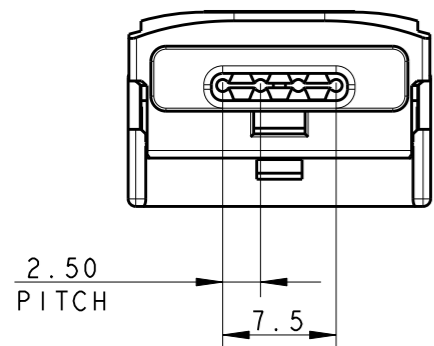
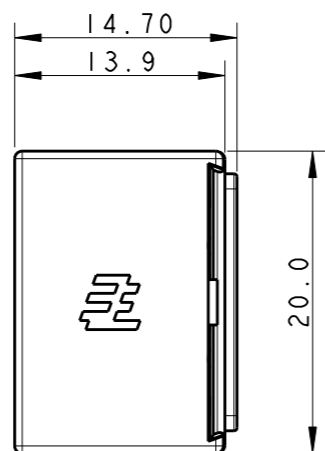
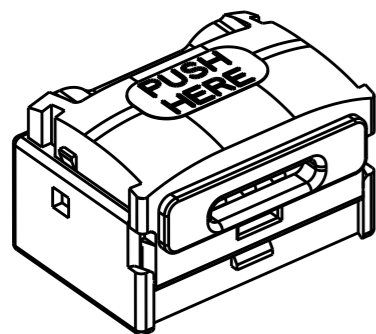


LOC	DIST	P	LTR	DESCRIPTION	DATE	DWN	APVD
-	-	A		REVISED PER ECR-10-014988	27JUL2010	HMR	PP

PART NUMBER	BRIDGE	COLOR
0-293522-1	YES	TRANSP LIGHT BLUE
5-293522-1	YES	TRANSP LIGHT BLUE
0-293522-2	NO	TRANSP LIGHT GREEN
5-293522-2	NO	TRANSP LIGHT GREEN



**APPLICATION FOR P/N X-293522-1**

P/N 293522-1

SECTION A - A

**APPLICATION FOR P/N X-293522-2**

P/N 293522-2

SECTION K - K

- 1 RIBBON CABLE, 4 WIRES  
PITCH 2.50±0.10mm, MAX WIDTH: 8.7mm  
AWG26/7 (FUSED TINNED STRANDS)  
OR AWG24/7 (FUSED AND NON FUSED TINNED STRANDS);  
INSULATION MATERIAL: PVC.
- 2 CONNECTOR TERMINATIONS ACHIEVED BY ALLIGATOR PLIERS.  
APPLICATION ACCORDING TE APPLICATION SPEC 114-19131

<small>THIS DRAWING IS A CONTROLLED DOCUMENT FOR TYCO ELECTRONICS CORPORATION IT IS SUBJECT TO CHANGE AND THE CONTROLLING ENGINEERING ORGANIZATION SHOULD BE CONTACTED FOR THE LATEST REVISION.</small>		DWN 29APR2009 Erik Derks CHK 29APR2009 Erik Derks APVD 22jun09 GTu		Tyco Electronics AMP Italia S.r.l. C.so F.lli Cervi, 15 - Collegno (TO)	
DIMENSIONS: mm		TOLERANCES UNLESS OTHERWISE SPECIFIED: 0 PLC ±0.5 1 PLC ±0.3 2 PLC ±0.1 3 PLC ± 4 PLC ± ANGLES ±1		NAME 4 POS. SEALED CONNECTOR FOR LED LIGHTING APPLICATION	
		MATERIAL PC UNFILLED TRANSPARENT COLOURS ACC. TO UL94-V0 (3mm)		FINISH -	
CUSTOMER DRAWING		SCALE 2:1		SHEET 1 OF 1 REV A	