

4

3

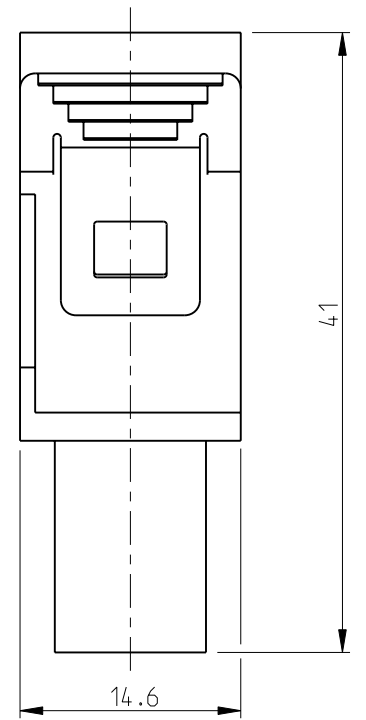
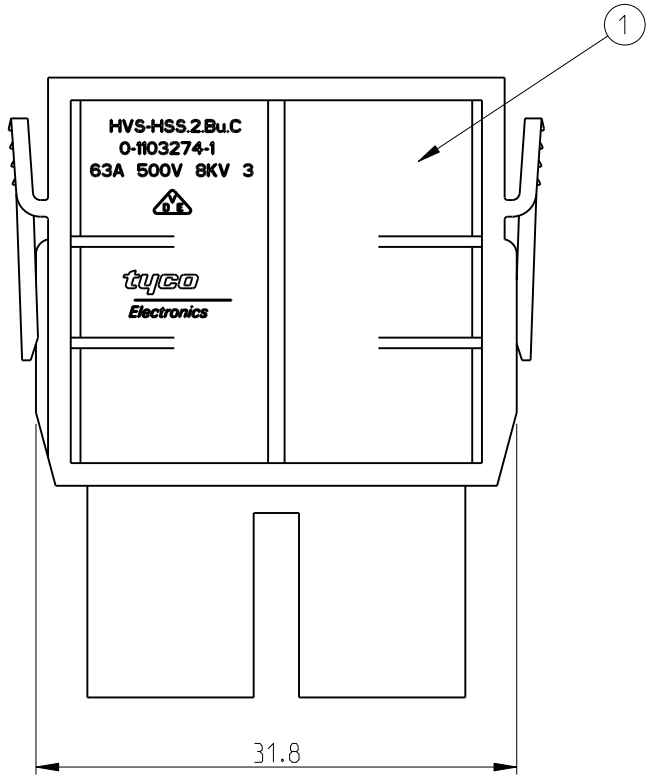
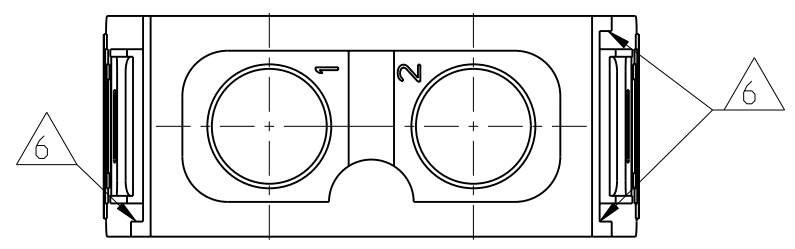
2

1

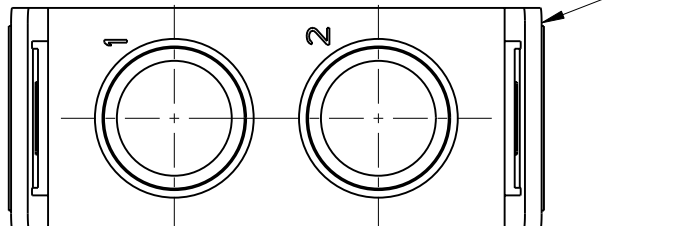
THIS DRAWING IS UNPUBLISHED. RELEASED FOR PUBLICATION 2000  
© COPYRIGHT 2000 BY TYCO ELECTRONICS CORPORATION. ALL RIGHTS RESERVED.

LOC	DIST	REVISIONS				
P	LTR	DESCRIPTION	DATE	DWN	APVD	
		C1	ECR-10-023156	11NOV2010	SR	OH

Contact arrangement view from connecting side

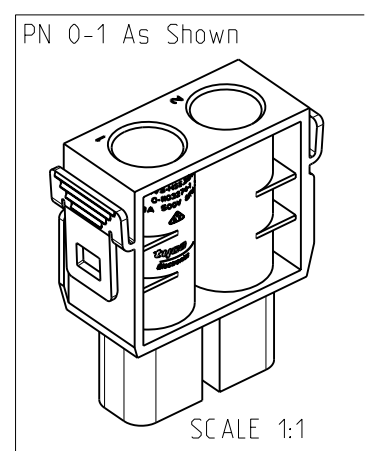


Contact arrangement view from termination side



NOTES

- 1 SUITABLE CRIMP CONTACTS: SERIES HSS  
CUSTOMER DRAWING: 1105151  
OUTER DIMENSIONS OF INSULATION: MAX. Ø9.5mm
- 2 SUITABLE MODULE FIXING FRAME: SERIES HVS SIZE 3 TO 8  
CUSTOMER DRAWING: 1103250
- 3 SUITABLE INSERTION TOOL:  
CUSTOMER DRAWING: 1102855
- 4 SUITABLE EXTRACTION TOOL:  
CUSTOMER DRAWING: 1102855
- 5 STANDARDS:  
DIN EN 61984; DIN EN 60664-1
- 6 POLARIZATION RIPS
- 7 MARKING OF POLARIZATION ACCORDING TO MARKING OF MODULE FRAME
- 8 PACKAGING:  
10 PIECES IN A CARTON



1	DESCRIPTION	MATERIAL	COLOR	ITEM NO
0-1	FEMALE INSERT	PC-GF20	LYGHT GREY	1

HVS-HSS.2.Bu.C		Tyco Electronics AMP GmbH 53757 Sankt Augustin, Germany	
NAME		FEMALE INSERT ASSY HVS-HSS.2.BU.C	
SIZE	CAGE CODE	DRAWING NO	RESTRICTED TO
A3	00779	©1103274	
CUSTOMER DRAWING		SCALE 2:1	SHEET 1 OF 1 REV C1

DIMENSIONS: mm		TOLERANCES UNLESS OTHERWISE SPECIFIED: ISO 2875 DIN ISO 2768 mH-E DIN 16901-120	
		0 PLC ±	9
		1 PLC ±	10
		2 PLC ±	
		3 PLC ±	
		4 PLC ±	
MATERIAL		FINISH	

DWN	20.02.2006	SCHNEIDER
CHK	20.02.2006	A.GAST
APVD	20.02.2006	T.SCHNURPFEIL
PRODUCT SPEC	108-74082	
APPLICATION SPEC	114-74084	
WEIGHT		