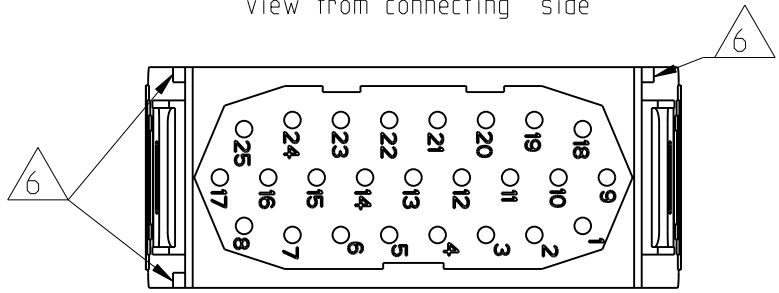


THIS DRAWING IS UNPUBLISHED. RELEASED FOR PUBLICATION 2000
 © COPYRIGHT 2000 BY TYCO ELECTRONICS CORPORATION. ALL RIGHTS RESERVED.

LOC	DIST	REVISIONS					
		P	LTR	DESCRIPTION	DATE	DWN	APVD
A1		B1		ECR-10-021590	25.10.2010	SR	OH

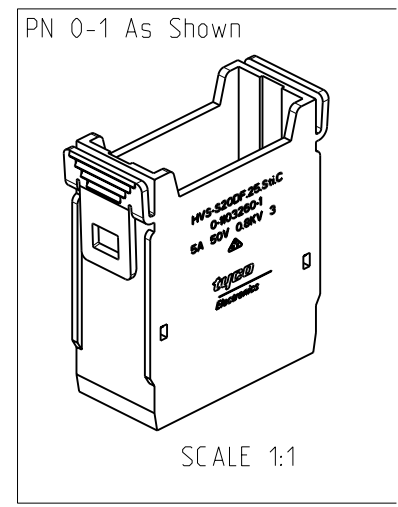
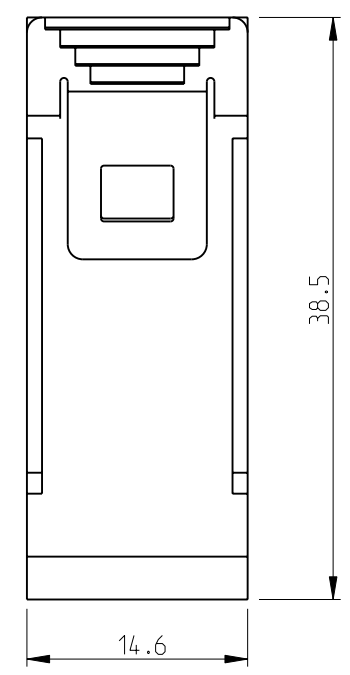
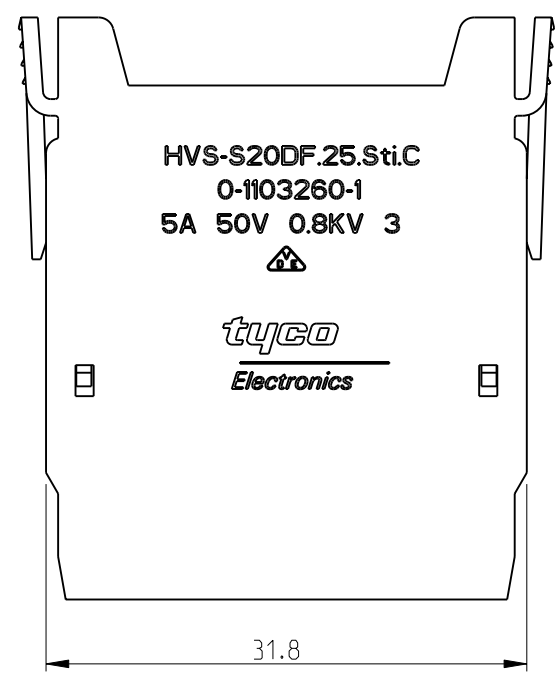
PN 0-1 As Shown

Contact arrangement
view from connecting side

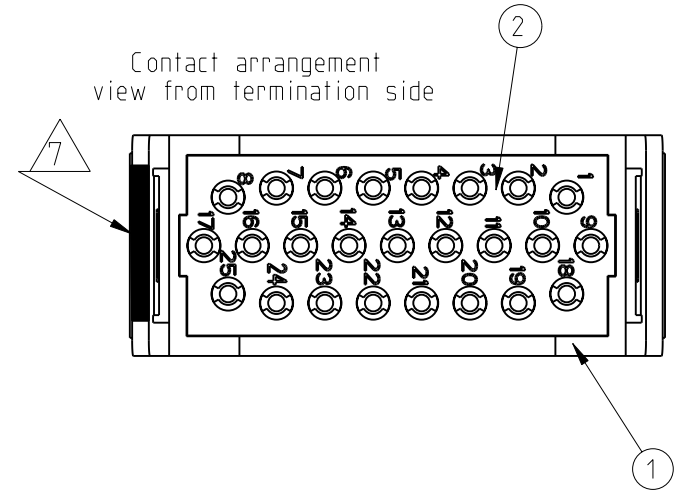


NOTES

- SUITABLE CRIMP CONTACTS: SERIES S20DF
CATALOG: 889745
OUTER DIMENSIONS OF INSULATION: MAX. Ø1.6mm
- SUITABLE MODULE FIXING FRAME: SERIES HVS SIZE 3 TO 8
CUSTOMER DRAWING: 1103250
- SUITABLE INSERTION TOOL:
CUSTOMER DRAWING: 1102855
- SUITABLE EXTRACTION TOOL:
CUSTOMER DRAWING: 1102855
- STANDARDS:
DIN EN 61984; DIN EN 60664-1
- POLARIZATION RIBS
- MARKING OF POLARIZATION ACCORDING TO MARKING OF MODULE FRAME
- PACKAGING:
10 SETS IN A CARTON, PRE-MOUNTED



Contact arrangement
view from termination side



QTY	DESCRIPTION	MATERIAL	COLOR	ITEM NO
1	MALE INSERT	PC-GF20	LYGHT GREY	HVS-S20DF-25.STI.C
1	CLIP INSERT	PC-GF20	LYGHT GREY	HVS-S20DF-25

THIS DRAWING IS A CONTROLLED DOCUMENT FOR TYCO ELECTRONICS CORPORATION IT IS SUBJECT TO CHANGE AND THE CONTROLLING ENGINEERING ORGANIZATION SHOULD BE CONTACTED FOR THE LATEST REVISION.		DWN 17.02.2006 SCHNEIDER		Tyco Electronics AMP GmbH 53757 Sankt Augustin, Germany	
DIMENSIONS: mm		TOLERANCES UNLESS OTHERWISE SPECIFIED: ISO 8075 DIN 150 2768 mm-E DIN 16901-120		NAME MALE INSERT ASSY HVS-S20DF-25.STI.C	
		0 PLC ± 1 PLC ± 2 PLC ± 3 PLC ± 4 PLC ± ANGLES ±		PRODUCT SPEC 108-74079 APPLICATION SPEC 114-74081	
MATERIAL 		FINISH 		SIZE CAGE CODE DRAWING NO RESTRICTED TO A3 00779 C=1103260	
CUSTOMER DRAWING				SCALE 2:1 SHEET 1 OF 1 REV B1	