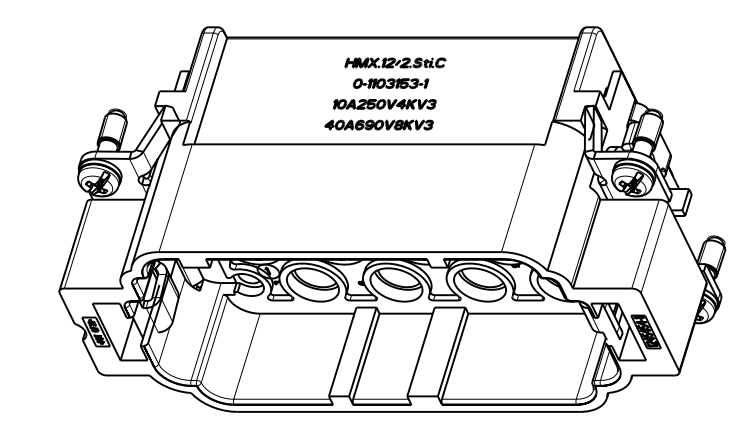
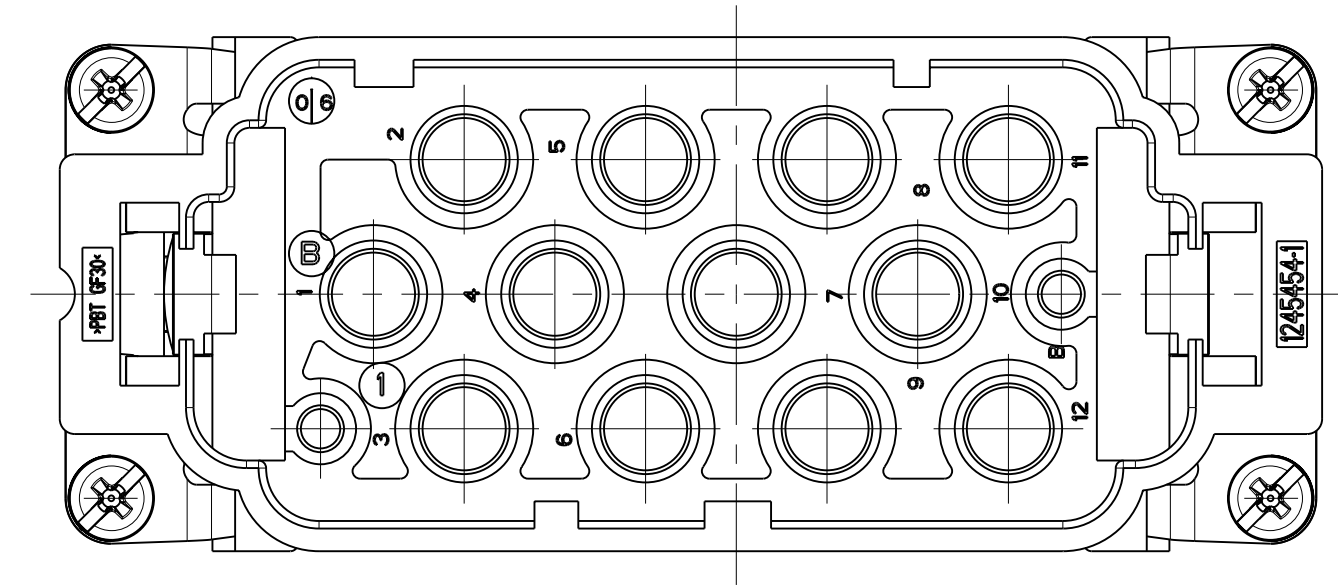


LOC	DIST	REV	DATE	BY	APPD
A1	-	B1	04FEB2010	SR	ME

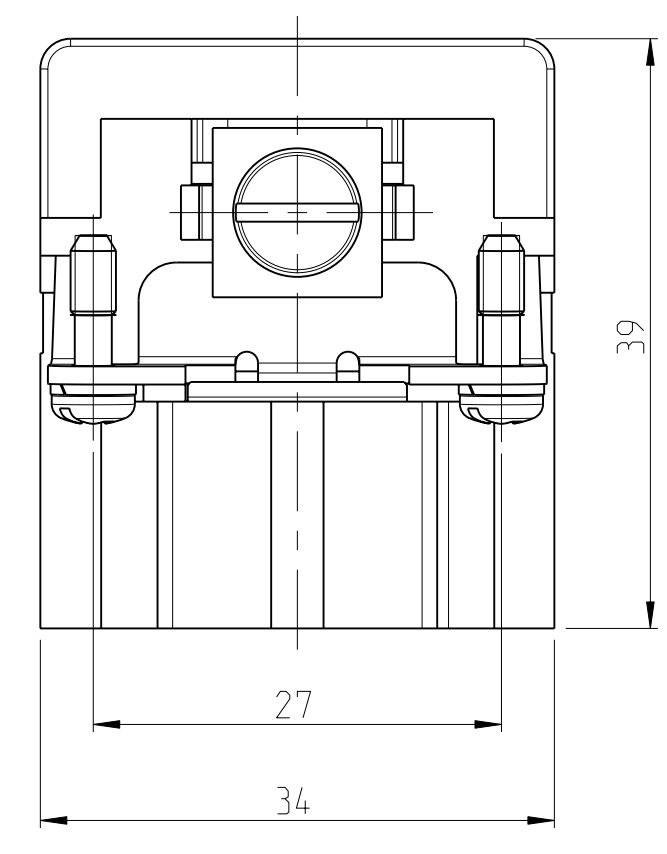
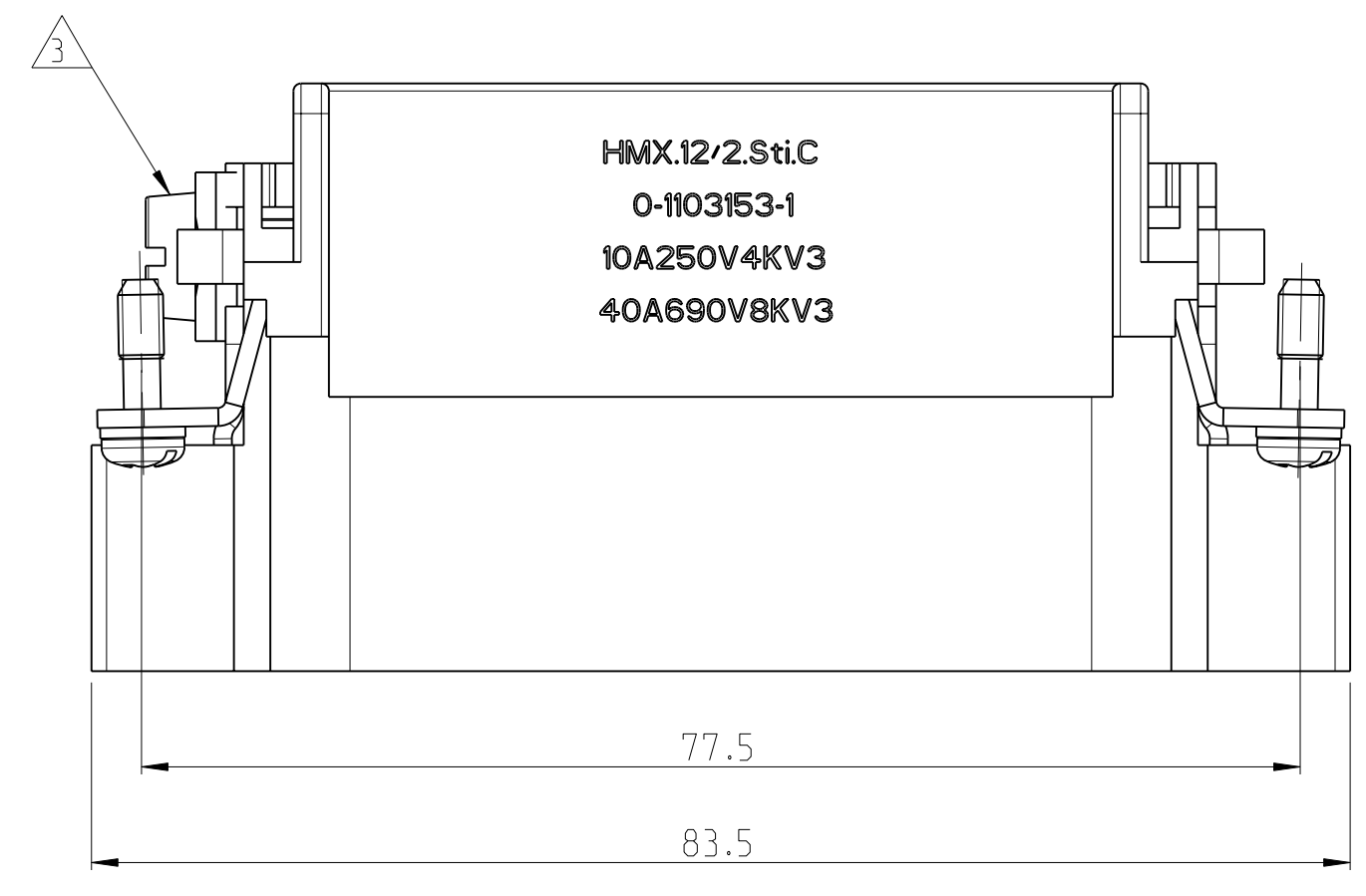
CONTACT ARRANGEMENT VIEW FROM CONNECTING SIDE



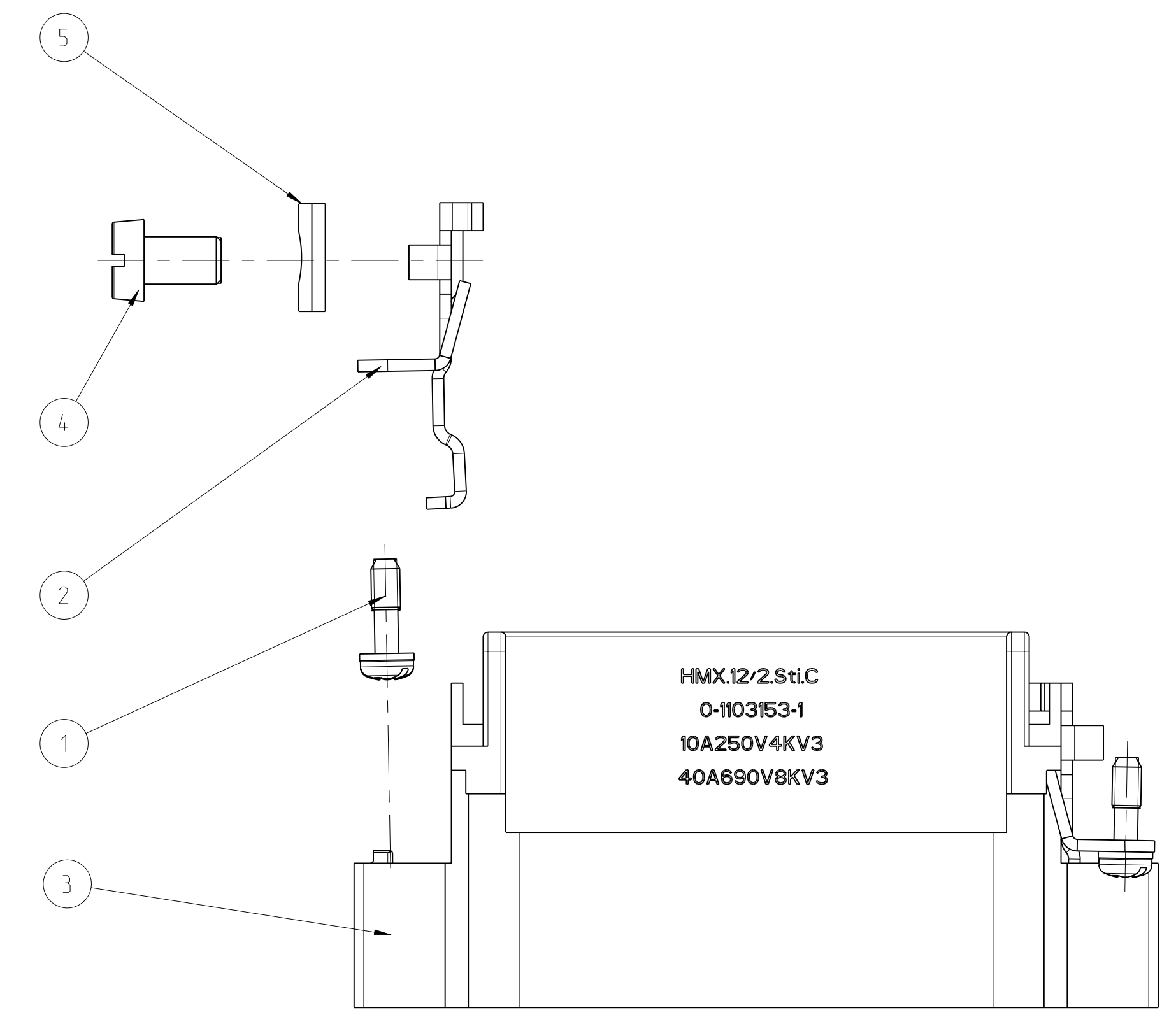
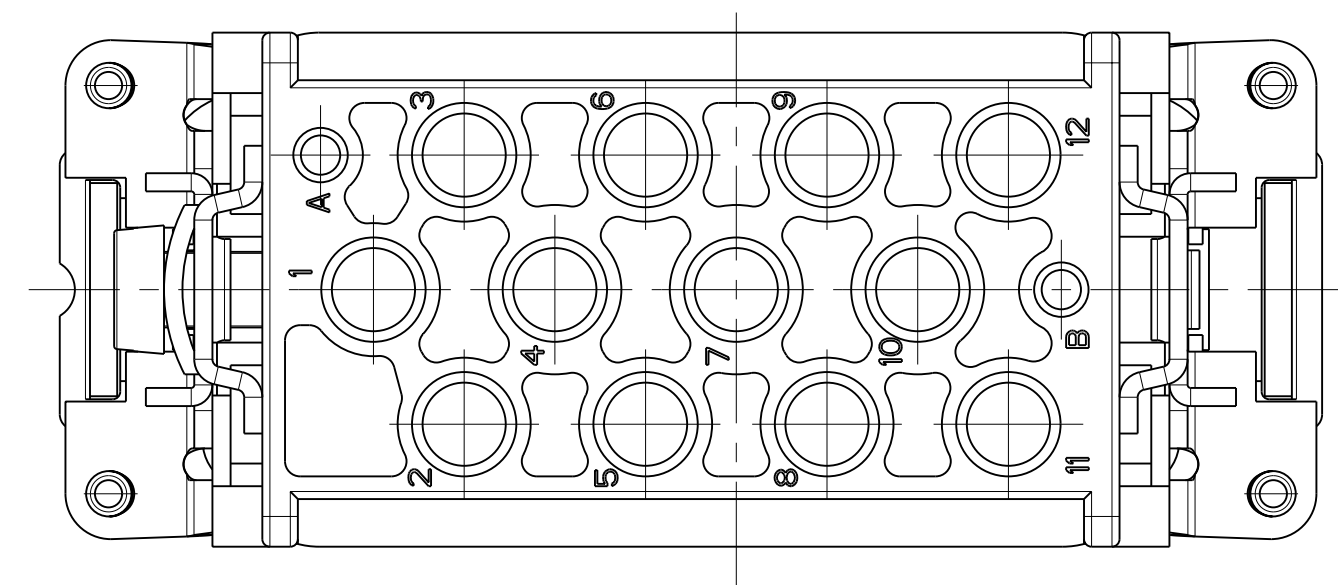
PN 0-1 AS SHOWN
 ORDERING TEXT: HMX.12/2.Sti.C

NOTES

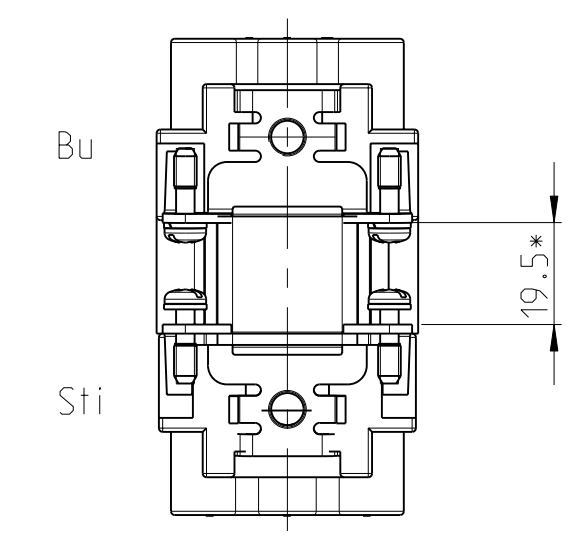
- POVER CONTACT : 1 TO 12
 OUTER DIMENSIONS OF INSULATION: MAX. 6.5MM
- SIGNAL CONTACT: A TO B
 OUTER DIMENSIONS OF INSULATION: MAX. 3.2MM
- SUITABLE HOOD SIZE 6
 SERIES HB, HD, EMV AND HIP
- STANDARDS:
 DIN EN 61984; DIN EN 60664-1
- PACKAGING:
 5 PIECES IN A CARTON BOX



CONTACT ARRANGEMENT VIEW FROM CONNECTING SIDE



•DISTANCE FOR QUARANTEED CONTACT 21 MM MAX



QTY	DESCRIPTION	MATERIAL	SURFACE	ITEM
1	CLIP TAB	STEEL	NICKEL PLATED	5
1	CYLINDER SCREW, M5	STEEL	NICKEL PLATED	4
1	FEMALE INSERT	VALOX 420SE0	VDI 3400-24	3
2	GRUNDING CONTACT-SOCKET	Cu Zn37 F38	Cu/Ni 5b	2
4	FIXING SCREW ASSY	St.8.8	Ni	1
0-1	HMX.12/2.Sti.C			

THIS DRAWING IS A CONTROLLED DOCUMENT. DWG: R.SCHNEIDER 04FEB2010
 CHK: T.SCHNURPEL 04FEB2010

STE TE Connectivity

PRODUCT NAME: MALE INSERT ASSY
 HMX.12/2.Sti.C

SIZE: A1 CAGE CODE: 00779 DRAWING NO: C=1103153

CUSTOMER DRAWING SCALE: 5:1 SHEET: 1 OF 1 REV: B1