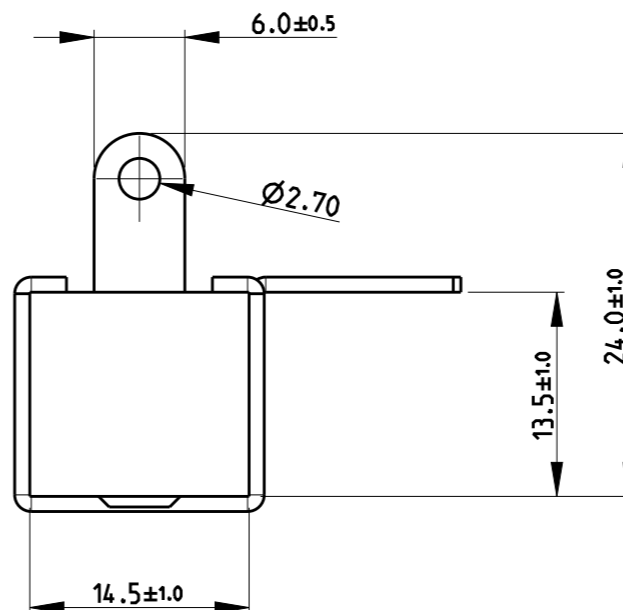
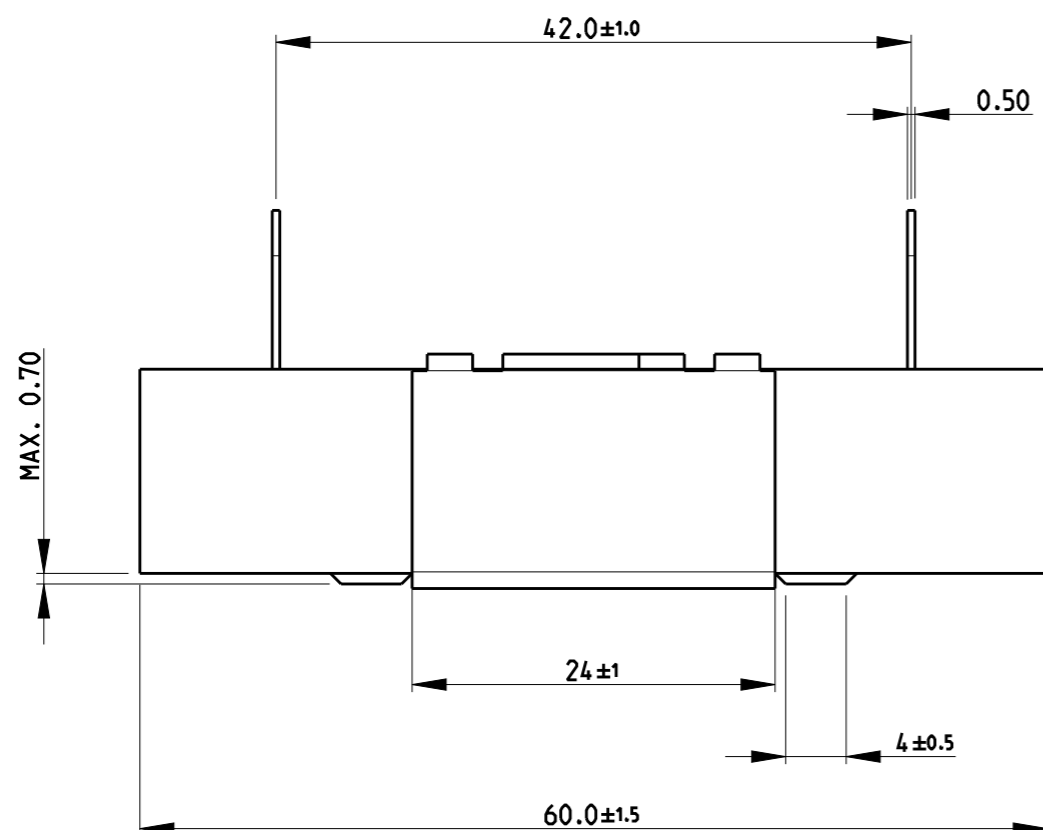
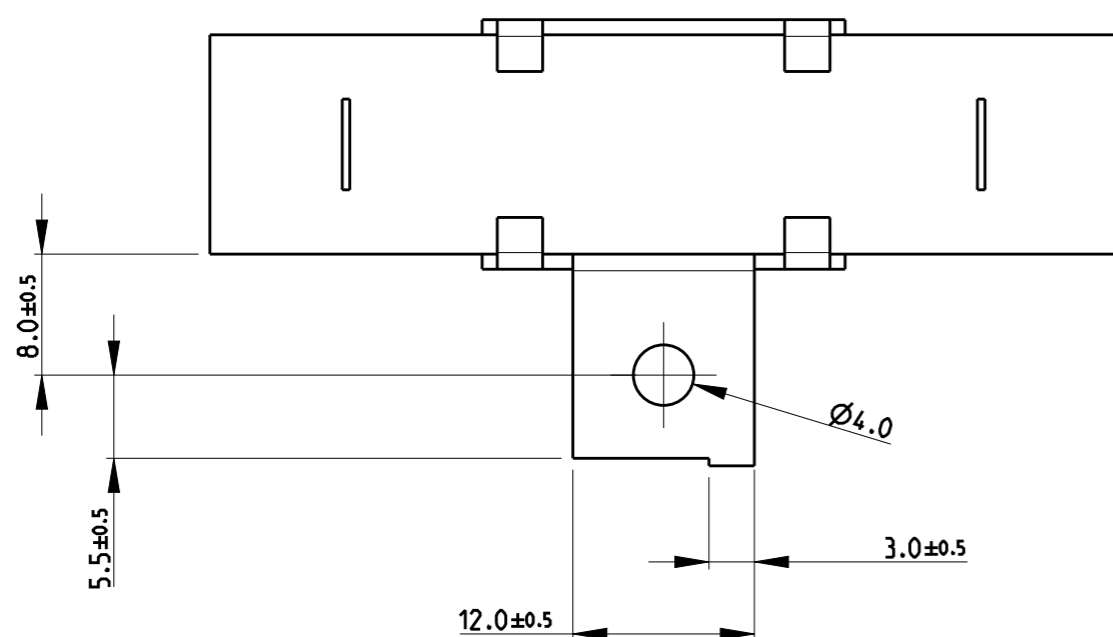


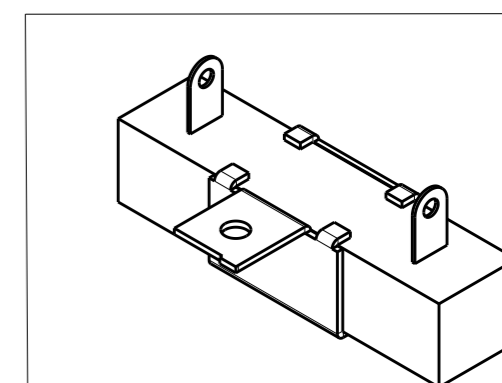
P	LTR	DESCRIPTION	DATE	DWN	APVD
	BA	INITIAL RELEASE	25NOV2020	SB	AP




1. FOR FURTHER INFORMATION SEE DATA SHEET FOR HIGH POWER RESISTORS OF SQ SERIES



RoHS Compliant



THIS DRAWING IS A CONTROLLED DOCUMENT.		DWN	20NOV2020	 TE Connectivity NAME HIGH POWER RESISTORS SERIES SQB 20W	
		CHK	20NOV2020		
		APVD	20NOV2020		
		ALLAN.P	ALLAN.P		
DIMENSIONS:		TOLERANCES UNLESS OTHERWISE SPECIFIED:		PRODUCT SPEC	
mm		0 PLC ±0.2		-	
		1 PLC ±0.1		APPLICATION SPEC	
		2 PLC ±		-	
		3 PLC ±		WEIGHT	
		4 PLC ±		-	
		ANGLES ±5°		SIZE	
MATERIAL		FINISH		CAGE CODE	
-		-		00779	
				DRAWING NO	
				C-1623779	
				RESTRICTED TO	
				SCALE	
				NTS	
				SHEET	
				1 OF 1	
				REV	
				BA	